

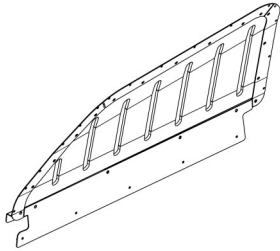
INSTALLATION GUIDE

**2024+ BLAZER EV PPV
POLY WINDOW ARMOR WITH ABS DOOR PANEL
WBP51EVB24/DP51EVB24**

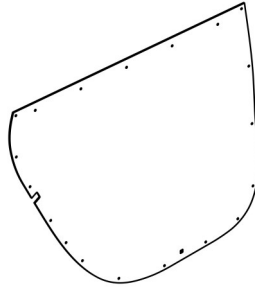
Pro-gard[™]
PRODUCTS LLC.

STRONG. RELIABLE. SECURE.

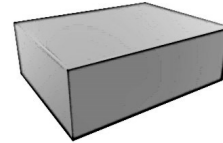
**THESE COMPONENTS ARE REQUIRED
TO INSTALL THE REAR WINDOW ARMOR WITH ABS DOOR PANEL**



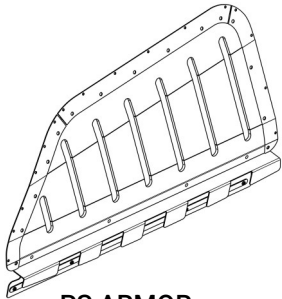
**DS ARMOR
4RWA512400**



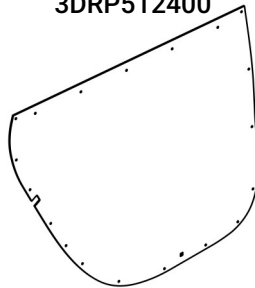
**DS ABS DOOR PANEL
3DRP512400**



**DOOR PANEL
HARDWARE KIT
4DRP512420**



**PS ARMOR
4RWA512401**



**PS ABS DOOR PANEL
3DRP512401**



3X299

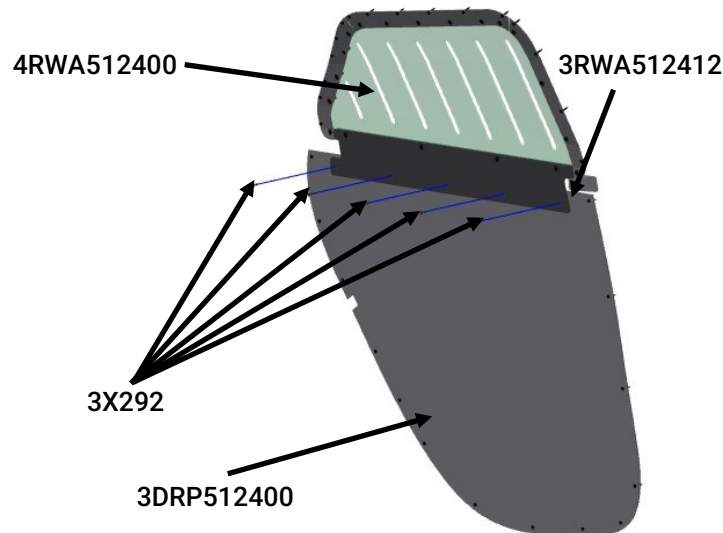
I. Read all instructions and refer to last page to ensure all parts were received

WARNING: *Locate All wiring, fuel lines, brake lines, coolant lines, or refrigerant lines before drilling any holes or installing any self-drilling fasteners.*

II. OEM Door Panel Removal

- A. Open driver rear door and roll down window
- B. Remove the OEM door panel
- C. Secure wiring harness and associated plugs inside the door shell
- D. Remove the power window switch from the door panel and reconnect it to vehicle wiring harness. Protect it from moisture and secure inside the door frame away from window travel
- E. Repeat on passenger side

II. Window Armor and Door Panel Assembly



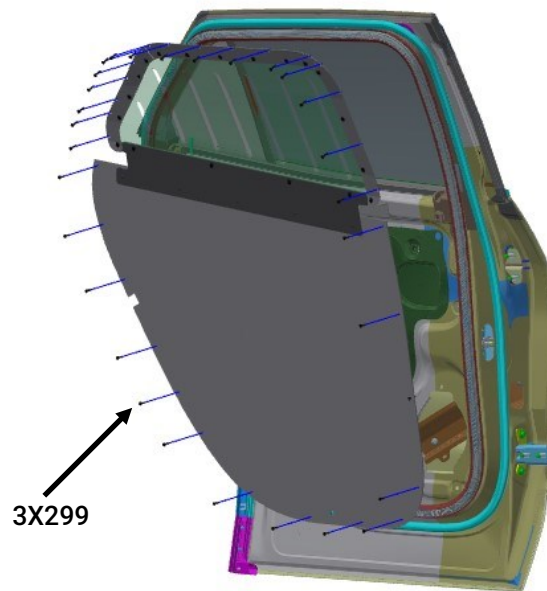
- A. Assemble DS ARMOR [4RWA512400] to DS ABS DOOR PANEL [3DRP512400] using the nut plate [3RWA512412] and (5) #8 screws [3X292].
- B. Assemble PS ARMOR [4RWA512401] to PS ABS DOOR PANEL [3DRP512401] using the nut plate [3RWA512412] and (5) #8 screws [3X292].

III. Armor and Door Panel Installation

- A. Raise the window armor and door panel assembly above the vehicle door and insert the lower frame flanges into the window track.
- B. Press the flanges into the door track and center the assembly on the door.
- C. Align the upper bracket of the frame to the vehicle window frame.
- D. Ensure the door panel is aligned with the door, and the window armor is aligned with the window opening.
- E. Once fitted satisfactorily, drive (16) self-tapping screws [3X299] into the upper window frame. If necessary drill a 7/64" pilot hole.

F. Drive the remaining (14) screws [3X299] into the door panel and door.

G. Repeat on passenger side.



Installation Complete

If you have any problems with this installation or have any questions please call (800-480-6680)

PARTS LIST			
ITEM	QTY	PART NUMBER	DESCRIPTION
1	1	4RWA512400	DS ARMOR
2	1	4RWA512401	PS ARMOR
3	1	4RWA512430	BLAZ POLY ARMOR HARDWARE KIT
4	1	DP51EV24	BLAZ EV ABS DP

