

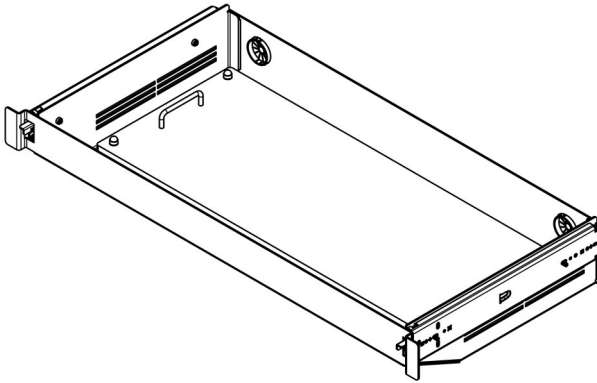
INSTALLATION GUIDE

**CARGO STORAGE DRAWER - ELECTRONICS TRAY
CSD23**

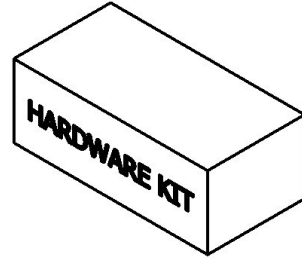
Pro-gardTM
PRODUCTS LLC.

STRONG. RELIABLE. SECURE.

**THESE COMPONENTS ARE REQUIRED
TO INSTALL THE CARGO STORAGE DRAWERS**



Electronics Drawer
CSDET23



Hardware kit
4CSD000080

I. The following tools will be required to complete installation

A. Hex Keys

B. SAE Sockets

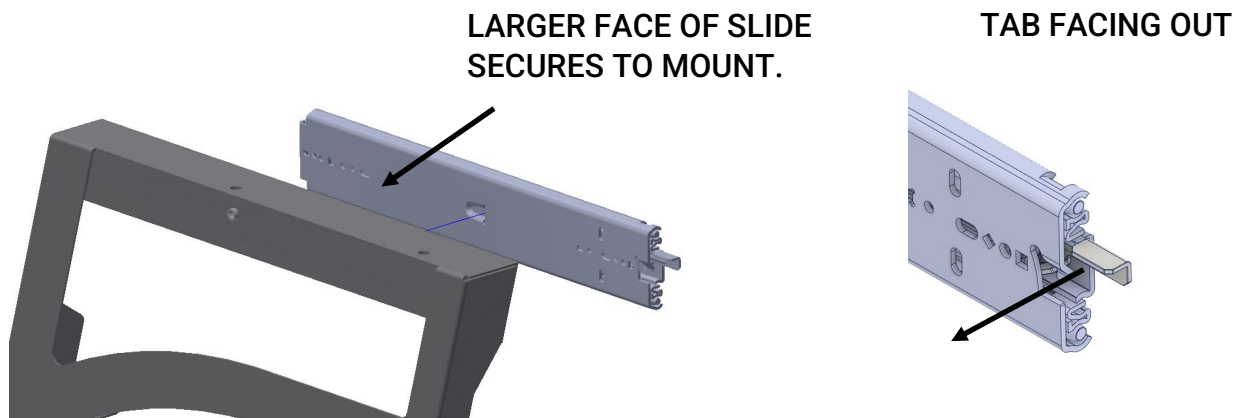
II. Read all instructions and refer to last page to ensure all parts were received

NOTE: The Electronics drawer can be installed in multiple vehicle models. The Chevy Tahoe is shown for visual examples. The mount procedure is the same on all models.

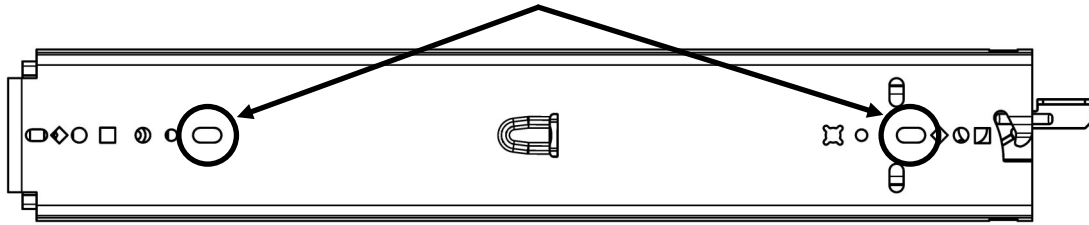
NOTE: If cargo storage drawers are mounted, they will need to be temporarily removed.

III. Attach the slides to the mounts.

A. Utilize the two horizontal slots to secure the slide [C9308-E18 L/R] to the mount. The larger flat face will mate to the mount face. See figure below for orientation



MOUNT TO THESE SLOTS



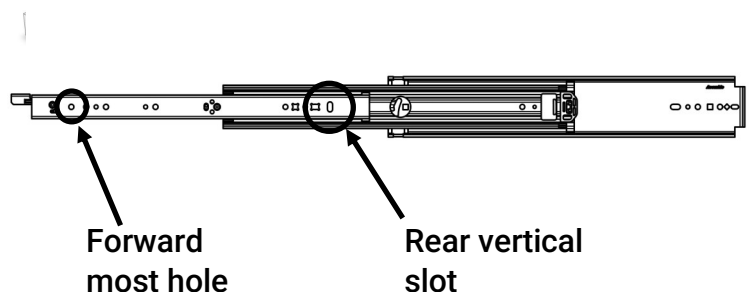
- B. Insert (2) [3X231] screws through the horizontal slots and into the PEM nuts on the mount. The slides will need to be extended and retracted during install to reveal the slots. These slides lock out, and lock in. It may be necessary to fully retract slide to release the locks when revealing slots. Repeat on opposite side.

IV. Attach slides to Electronics drawer

- A. Start with the front of the drawer and secure using the first available hole in the final telescoping segment. Secure a [3X231] 1/4-20x1/2" hex head bolt. See below.

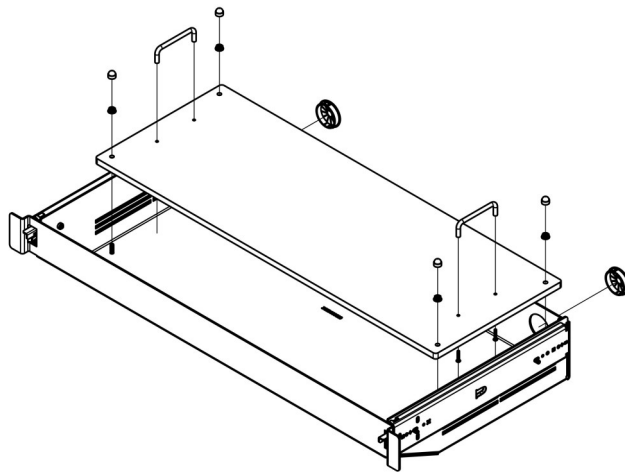


- B. Do not secure the back yet. Repeat the above procedure on the opposite side. Snug bolts, but do not tighten. Leave loose enough to rotate drawer.
- C. Once both of the [3x231] front bolts have been applied, secure the back of the drawer.
- D. Rotate the drawer into position and attach to the vertical slot on the slide using [3X231] bolts. Again, snug but not tight. Repeat on opposite side. Level the drawer using the vertical slot and tighten all (4) [2X231] bolts.



V. Assemble and install tray and grommets

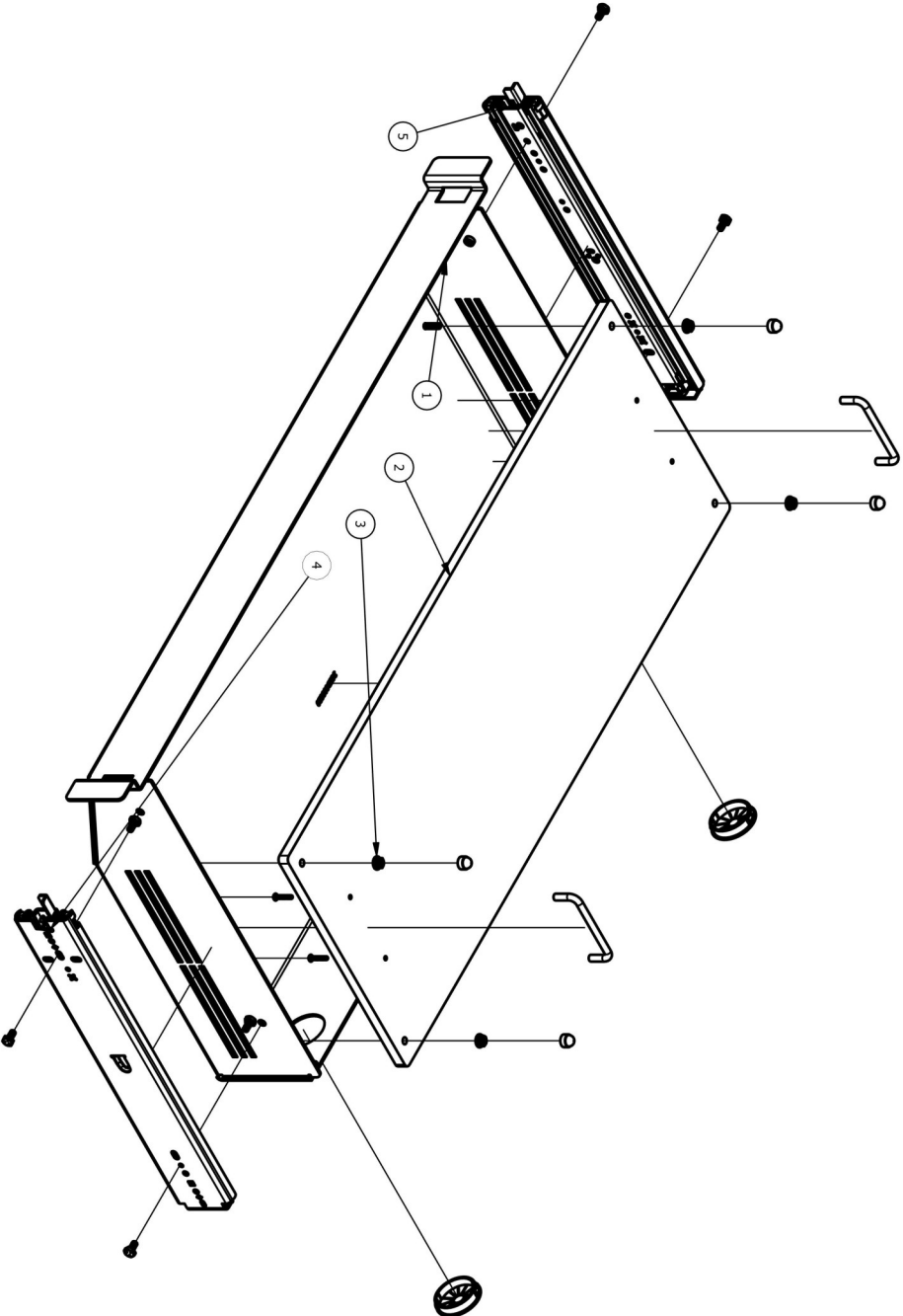
- A. Align handles with holes in the tray and secure with (2) [3X627] 8-32 x 7/8" screws. Repeat on opposite side.
- B. Align tray with studs on the bottom of the drawer and secure with (4) 1/4-20 whiz nuts.
- C. Press on (4) plastic caps over the top of the whiz nuts installed in the previous step.
- D. Press wire grommets into openings in the rear of the drawer.



Installation complete

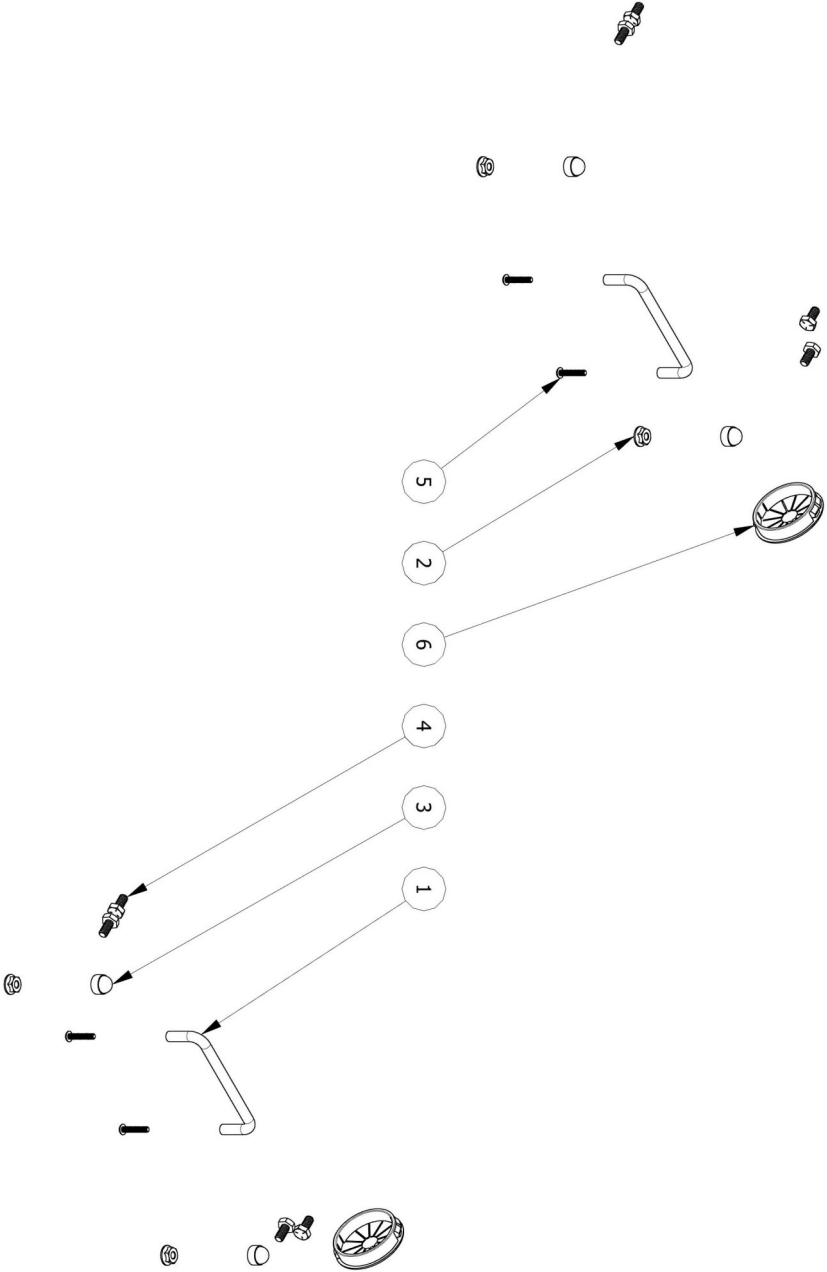
If you have any problems with this installation or have any questions please call (800-480-6680) and ask for technical assistance.

PARTS LIST			DESCRIPTION
ITEM	QTY	PART NUMBER	
1	1	3CSD000020	ELECTRONICS DRAWER WELDMENT
2	1	3CSD000021	ELECTRONICS TRAY
3	1	4CSD000080	ELEC DRAWER HARDWARE KIT
4	1	C9308-E18-R	ACCURIDE SLIDE 18" RIGHT SIDE
5	1	C9308-E18-L	ACCURIDE SLIDE 18" LEFT SIDE



CSDDET23

PARTS LIST			
ITEM	QTY	PART NUMBER	DESCRIPTION
1	2	3E7S000001	ALUMINUM HANDLE THREADED
2	4	3X16SZ	1/4-20 SMALL WHIZ NUT -ZINC
3	4	3X145	BLACK PLASTIC CAP
4	8	3X231	1/4-20 X 1/2 HHCH GR5 ZINC
5	4	3X627	8-32 x 7/8" BSHC, zinc
6	2	2422	2" NYLON EXPANDABLE LOCKING GROMMET



4CSD000080