

INSTALLATION GUIDE

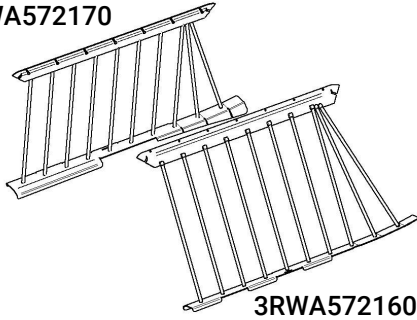
**2021 - CURRENT
CHEVROLET TAHOE
OEM STEEL WINDOW BARS
WB57NPT21**

Pro-gard[™]
PRODUCTS LLC.

STRONG. RELIABLE. SECURE.

THESE COMPONENTS ARE REQUIRED
TO INSTALL THE PRO-GARD WB57NPT21 REAR WINDOW ARMOR

3RWA572170



4RWK572100
HARDWARE KIT

NOTE: Locate all wiring, fuel lines, brake lines and/or cooling lines before drilling holes or installing any fasteners.

- I. Refer to the diagram above to verify all parts were received.
- II. Tools required:
 - A. Phillips bit
 - B. 7/64" diameter drill bit
- III. Read all instructions carefully before beginning the installation process.
- IV. Window Bar Installation
 - A. Open passenger and driver rear doors and roll down both windows.
 - B. Center the window frame with the body opening, insert bottom bracket flange into door window track and align top bracket with door frame trim. (Fig. 1)

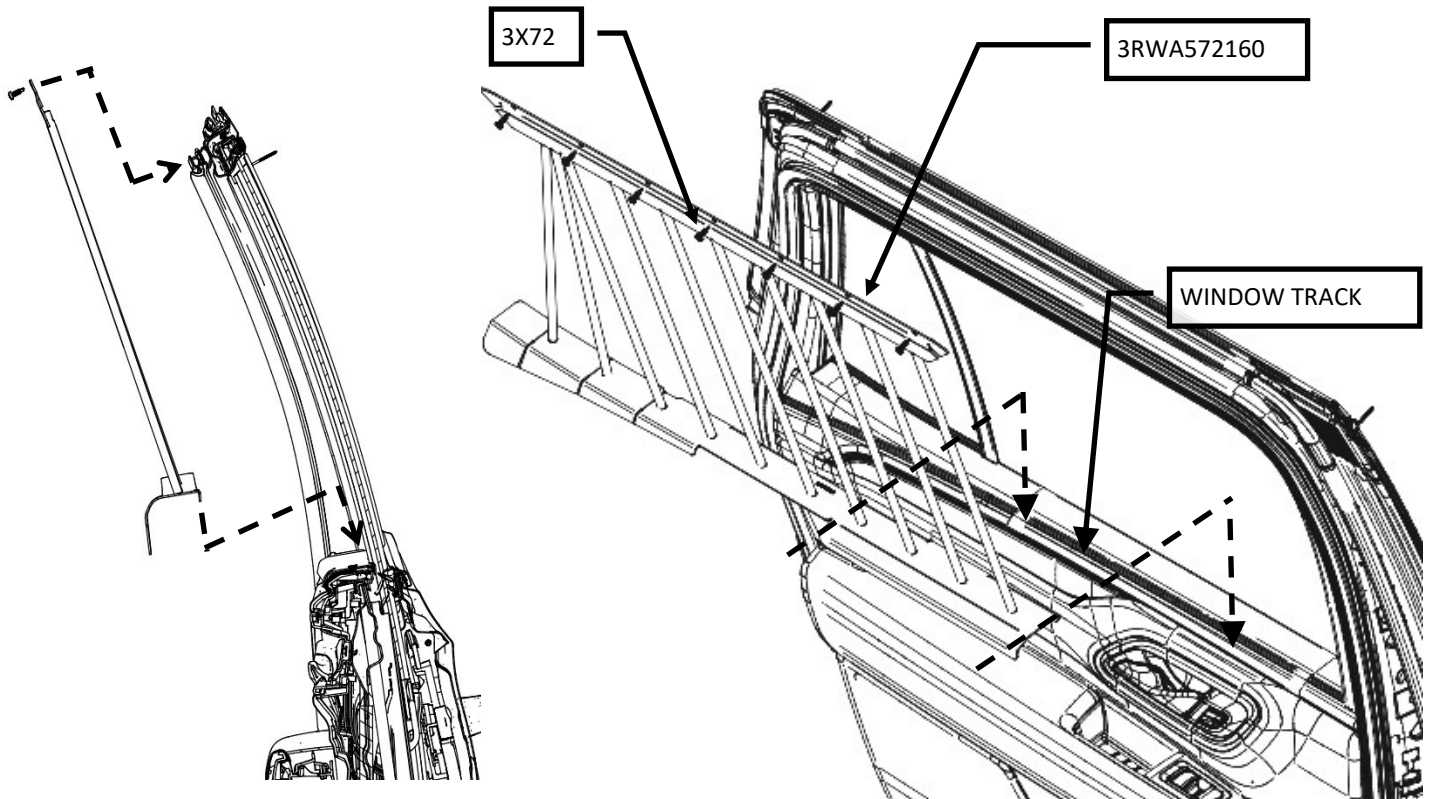


Fig. 1

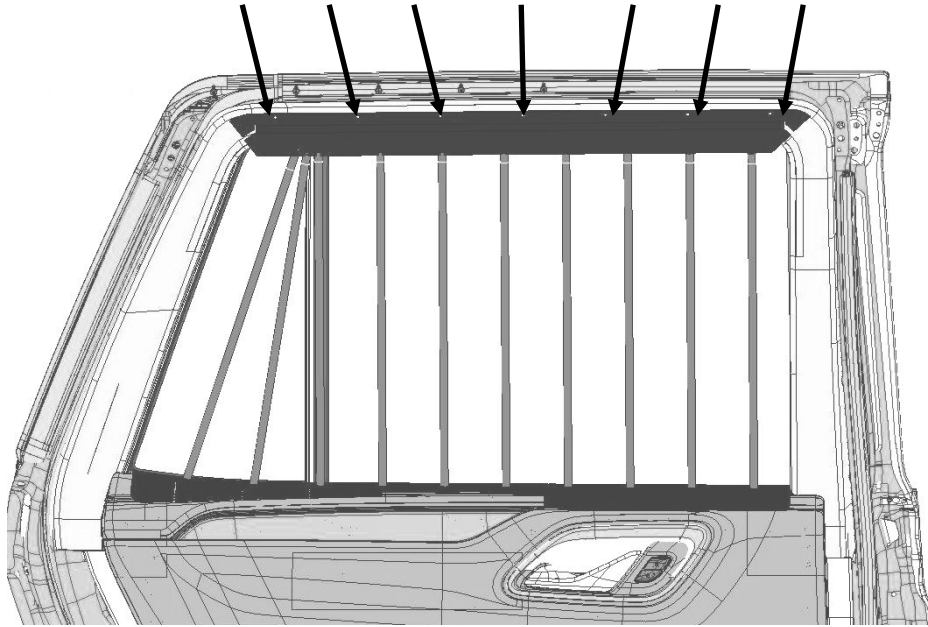


Fig. 2

- C. Once window bars are in location, drill 7/64" pilot holes and drive (7) #8 screws [3X72] to secure. (Fig. 2)
- D. Repeat for opposite side.
- E. Check installation of window bars and roll up the window to ensure proper fit .

Installation complete

If you have any problems with this installation or have any questions please call (800-480-6680) and ask for technical assistance.

PARTS LIST			
ITEM	QTY	PART NUMBER	REVISION NUMBER
1	1	3RWA572160	B
2	1	3RWA572170	B
3	1	4RWK572100	A

DESCRIPTION

WINDOW BARS TAHOE OEM D/S

WINDOW BARS TAHOE OEM P/S

HARDWARE KIT WINDOW BAR STEEL ABS TAH Z1

