

INSTALLATION GUIDE

**2021 - CURRENT
CHEVROLET TAHOE SSV/PPV
PUSH BUMPER
PB57T21HD**

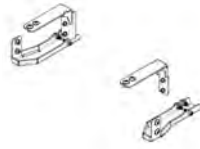
Pro-gard[™]
PRODUCTS LLC.

STRONG. RELIABLE. SECURE.

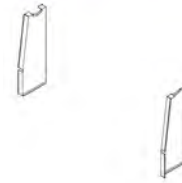
**THESE COMPONENTS ARE REQUIRED
TO INSTALL THE HD PUSH BUMPER**



4PBF572110



4PBK572150



4PBF572111

I. The following tools will be required to complete the installation

- | | | |
|-----------------------|----------------|---------------------|
| A. 10mm socket | E. Razor blade | I. 3/4" socket |
| B. 7mm socket | F. 15mm socket | J. 5/16" Hex wrench |
| C. Trim removal tools | G. 15mm wrench | |
| D. T15 Torx | H. 16mm wrench | |

II. Read all instructions and refer to the last page to ensure all parts were received

WARNING: *Locate all wiring, fuel lines, brake lines, coolant lines, and refrigerant lines before drilling any holes or installing any self-drilling fasteners.*

III. Fascia Removal

- A. Remove the plastic tray from between the grille and core support by removing the (9) plastic pop clips and the hood release extension. The hood release extension is fastened with (2) T15 torx screws.
- B. Using a 10mm socket, remove the (6) fasteners attaching the top of the grille to the core support.
- C. Using a 7mm socket, remove the (4) fasteners attaching the bottom of the fascia to the skid plate. Then move outward and remove the (1) fastener on each side attaching the bottom of the fascia to the fender liner.
- D. Switching to a T15 torx, remove the (2) rearmost fasteners per side attaching the fascia to the fender liner. Then continue around the fender liner removing the (3) remaining fasteners per side attaching the fender liner to the fascia. It is recommended to remove additional fasteners from the fender liner to allow it to be folded back for better access to the remaining fascia fasteners.
- E. Using a 7mm socket, remove the (1) lowest screw per side from the bumper clip where the fascia meets the fender. While removing the passenger side fastener, unplug the wiring harness.
- F. Using a 10mm socket, remove the (1) fastener per side attaching the lower fascia brackets to the frame by accessing it either through the fender well or from underneath the vehicle. All the fasteners securing the fascia are now removed.
- G. Pull up and forward on the top of the grille to unclip it from the core support. Unclip the fascia from the fenders by gently pulling the bumper away from the fenders. Use a trim tool to pry the chrome trim out of the headlight - there are (2) clips per side. There are two rows of clips remaining, one behind the Chevrolet logo and the other behind the top of the painted area; to release the clips, grip the grille between these two points and pull.

IV. Upper Bracket Installation

- A. Locate the flanges at the end of the frame horns that the impact bar bolts to. Remove the (2) green clips per side and note the rectangular holes they were in.
- B. Using a razor blade or rotary tool, trim the lower air deflector that is located just above the impact bar to allow the upper push bumper brackets [3PBP572150 and 3PBP572151] to fit through and sit in position.
- C. Starting on the passenger side, drop the Upper Passenger Bracket [3PBP572150] through the air deflector and align the (2) holes in the bracket with the (2) holes that the clips were removed from in Step A. Loosely install (1) M10 hex bolt [3X405] and (1) M10 hex nut [3X406] into each hole.
- D. Align the bracket by putting the rear facing flange against the edge of the flange on the frame then tighten the bolts using a 15mm socket and a 15mm wrench.
- E. Repeat Steps C. - D. for the driver side using the Upper Driver Bracket [3PBP572151], (2) M10 hex bolts [3X405], and (2) M10 hex nuts [3X406].

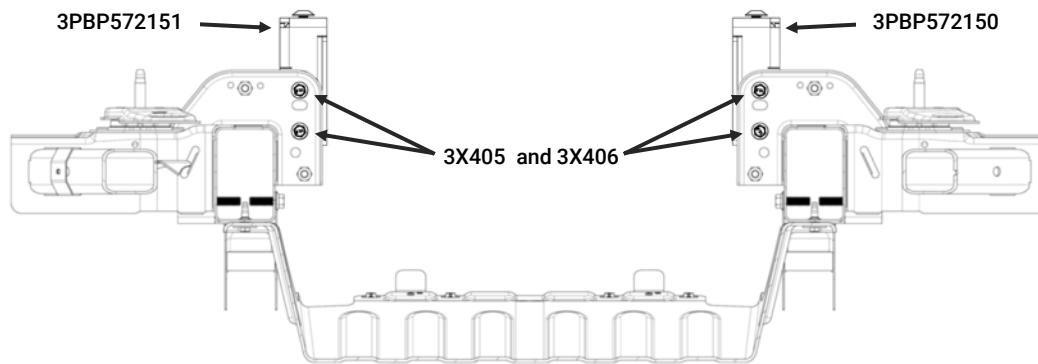


Figure 1

- F. Reinstall the fascia by following the reverse of Section III. The upper brackets fit through the bottom slots in the grille and require no trimming.

V. Lower Bracket Installation

- A. The bottom of the lower brackets [3PBP572154 and 3PBP572155] sits on the bottom inside of the frame horn. Insert a bracket at an angle through the tow hook cutout in the bumper and into the frame then tilt it upwards until it contacts the fascia.
- B. Mark and use a razor blade or rotary tool to trim the necessary reliefs in the tow hook area of the fascia to allow the lower brackets to protrude horizontally while sitting in the frame horns.
- C. Slide the Lower Passenger Bracket [3PBP572154] into the passenger side frame horn and align the (3) holes in the bracket with the (3) holes in the frame horn. Loosely install (3) M12 hex bolts [3X404]. It is recommended to put medium strength thread locker on these bolts to prevent them from vibrating loose.
- D. Ensure the bracket is sitting against the bottom of the frame horn then use a 16mm wrench to tighten the (3) fasteners.
- E. Repeat Steps C. - D. for the driver side using the Lower Driver Bracket [3PBP572155] and the remaining (3) M12 hex bolts [3X404].

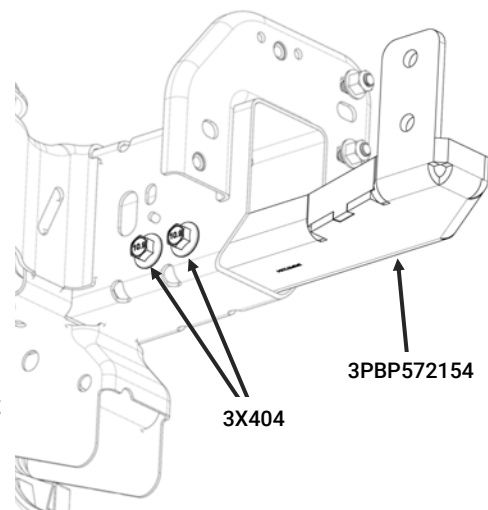


Figure 2

VI. Bumper Installation

- A. Slide the Push Bumper Front [4PBF572110] onto the vehicle by inserting the upper brackets into the notches on the back side of the middle crossmember.
- B. Align the (4) holes between the upper brackets and the middle crossmember and loosely install (4) 1/2" button head bolts [3X301] and (4) 1/2" flange nuts [3X220] into each hole with the nuts on the bottom.
- C. Align the (4) holes between the lower brackets and the push bumper uprights and loosely install the (4) remaining 1/2" button head bolts [3X301] and the (4) remaining 1/2" flange nuts [3X220] with the nuts on the inside of the bumper.
- D. Using a 5/16" hex wrench and a 3/4" socket, tighten all (8) fasteners installed in the previous two steps.
- E. Ensure all fasteners that were installed or removed and reinstalled during the course of this installation are tight.

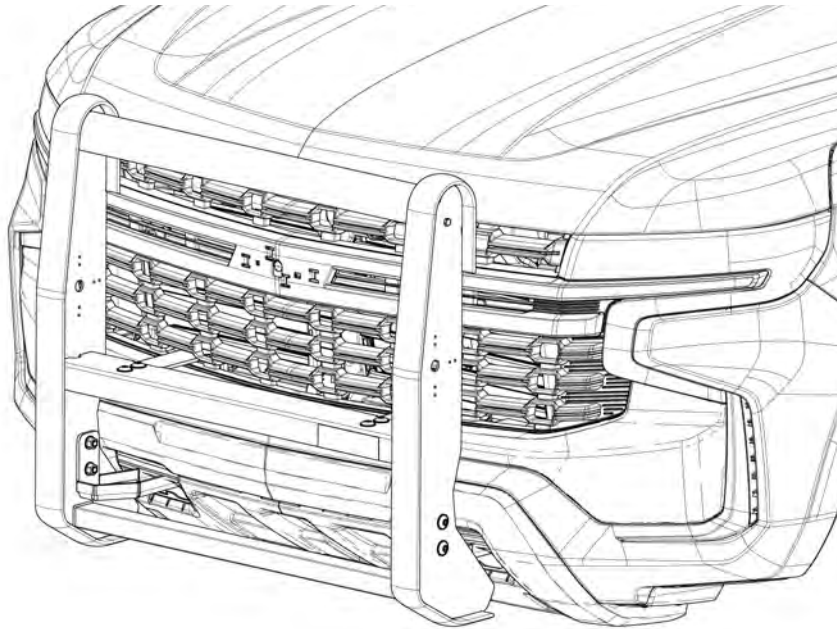


Figure 3

IX. Wire Cover Installation

- A. Twist the rubber bumper material away from the inside of the push bumper between the top and middle crossmembers. Do this on the front and back edges of the push bumper and on both driver and passenger sides.
- B. Slide the passenger side wire cover [3PBF572104] against the passenger side push bumper upright and slide the driver side wire cover [3PBF572105] against the driver side push bumper upright.
- C. Tuck the rubber bumper material back into place between the edge of the push bumper and the wire covers.
- D. Ensure the wire covers are securely in place.

Installation complete

If you have any problems with this installation or have any questions please call (800-480-6680) and ask for technical assistance.

PARTS LIST			
ITEM	QTY	PART NUMBER	DESCRIPTION
1	1	4PBF572110	21 TAHOE PUSH BUMPER ASSEMBLY
2	1	4PBKS72150	PUSH BUMPER KIT
2.1	1	3PBP572150	UPPER PASSENGER BRACKET WELDMENT
2.2	1	3PBP572151	UPPER DRIVER BRACKET WELDMENT
2.3	1	3PBP572154	LOWER PASSENGER BRACKET WELDMENT
2.4	1	3PBP572155	LOWER DRIVER BRACKET WELDMENT
2.5	1	4PBKS72151	PUSH BUMPER HARDWARE KIT
3	1	4PBF572111	WIRE COVERS (PAIR)

