

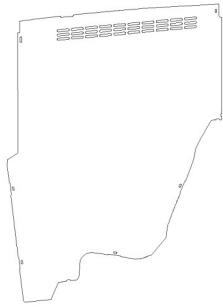
# ***INSTALLATION GUIDE***

2021 - CURRENT  
CHEVY TAHOE  
P1826 DIVIDER INSTALLATION

**Pro-gard**<sup>™</sup>  
PRODUCTS LLC.

**STRONG. RELIABLE. SECURE.**

**THESE COMPONENTS ARE REQUIRED  
TO INSTALL THE P1826 DIVIDER**

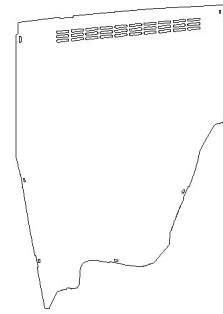


**3DIV572152  
(SPACE SAVER)**



**4DIV572100**

OR



**3DIV572153  
(VIPER)**



**4DIV572100**

**I. The following tools will be required to complete the installation**

- A. Centering punch
- B. 7/32" Drill bit
- C. Drill
- D. T25 Torx driver
- E. 3/8" Socket & ratchet
- F. 7/16" Open ended wrench
- G. 7/16" Socket & ratchet
- H. Philips screw driver

**II. Read all instructions and refer to the Parts List to ensure all parts were received.**

---

**WARNING:** *Locate all wiring, fuel lines, brake lines, coolant lines, and refrigerant lines before drilling any holes or installing any self-drilling fasteners.*

---

**III. Divider Installation**

- A. After the partition, seat, and barrier have been installed, then the divider can be installed
- B. If the partition already has (3G620) divider bracket installed and the barrier has (3DIV572151) divider bracket installed, you may skip to step E, if not please proceed to step C.
- C. Begin by removing the 1/4" carriage bolt from the top center-most location that holds the window in the partition. Then place (3G620) divider bracket in this location with the slotted hole against the partition. Insert new (3X82) carriage bolt into hole and tighten with original nut. (Fig. 1)

D. Remove the 1/4" phil truss bolt in the upper center-most location that holds on the wing and window of the rear barrier. Reinsert the bolt from the rear of the barrier so the threads stick forward through the barrier. Install (3DIV572151) divider bracket onto bolt and tighten nut to hold bracket in place. (Fig. 2) These 2 brackets will be used to help locate center of the seat.

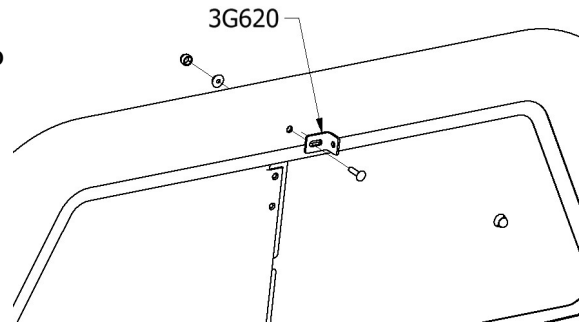


Figure 1

E. Now the divider should be placed inside the vehicle through the rear passenger side door and centered on the seat using the 2 brackets installed in the previous step. Once the divider is placed in location, use (3DIV000000) divider brackets to mark the seat and recess panel for drill hole locations. The locations of the brackets can be seen on fig. 3. The brackets are located on the seat and recess panel by the relief cuts on the divider.

F. Remove the divider and seat from the vehicle. Drill (7/32" drill bit) the marked holes in the seat and attach the (3DIV000000) brackets to the seat by placing (3X275) nylon flange nuts on the back side and (3X274) button head torx bolts on the top side. Tighten the brackets down using a T25 torx driver and 3/8" socket.

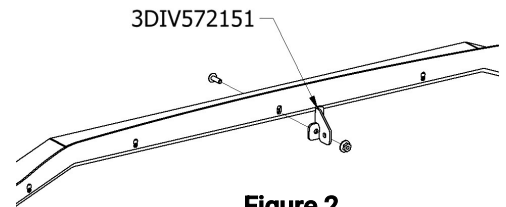


Figure 2

G. Proceed with the seat installation according to the seat install instructions.

H. If installing OSB option, please refer to seat install Instructions.

I. Place divider back into the vehicle through the passenger side and align divider to the brackets on the recess panel, seat, partition and barrier.

J. Once divider is placed in vehicle and seated against all brackets, insert (3X82) carriage bolts through holes in divider from passenger side and extending through brackets, secure with (3X16Z) whiz nuts. Check general fit and tighten all other nuts.

K. Install (3X145) black plastic caps on all exposed threads on driver side of divider.

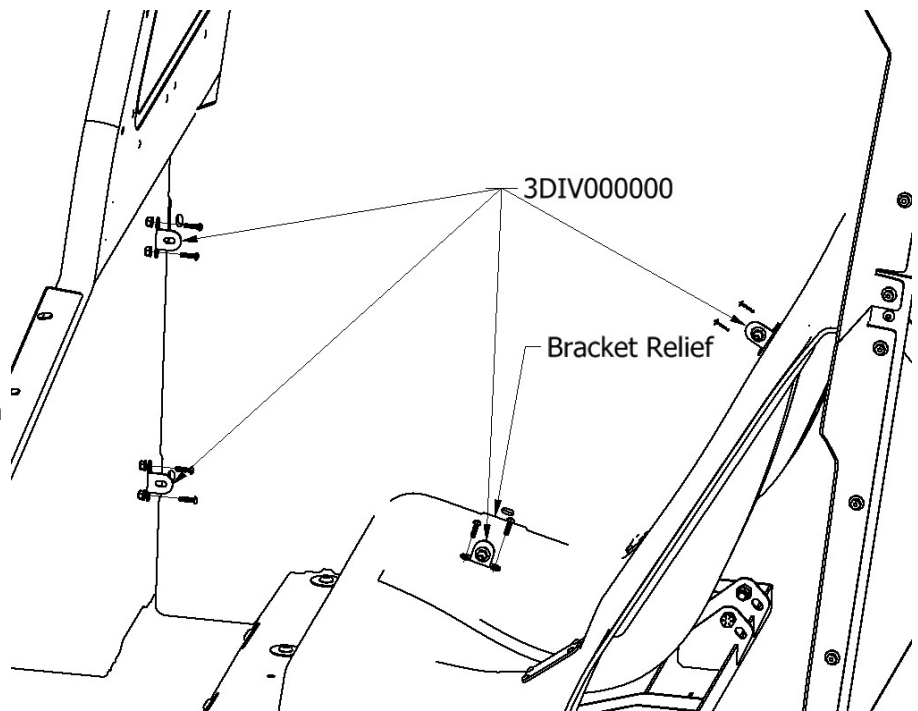


Figure 3

## Installation complete

If you have any problems with this installation or have any questions please call (800-480-6680) and ask for technical assistance.

P1826 DIVIDER PARTS LIST			
ITEM	QTY	PART NUMBER	DESCRIPTION
1	1	3DIV572152	P1826 TAHOE DIVIDER
2	1	4DIV572100	P1826 DIVIDER HARDWARE KIT
3	1	3DIV572153	P1826 DIVIDER VIPER

P1826 DIVIDER HARDWARE KIT			
ITEM	QTY	PART NUMBER	DESCRIPTION
4	4	3DIV000000	DIVIDER BRACKET
5	7	3X82	1/4-20 X 1 CARRIAGE BOLT
6	6	3X16Z	1/4-20 LARGE HEX WHIZ NUT-ZINC
7	1	3DIV572151	DIVIDER BRACKET
8	1	3G620	BRACKET, ANGLE, BLACK
9	8	3X274	#10-24X3/4 BUTTON HEAD TORX
10	8	3X275	#10-24 NYLON FLANGE NUT
11	6	3X145	BLACK PLASTIC CAP

