

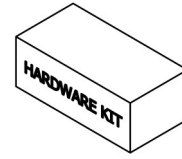
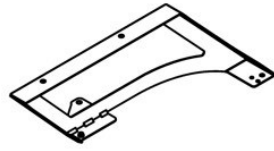
# ***INSTALLATION GUIDE***

2021+  
CHEVROLET TAHOE  
CARGO STORAGE DRAWER MOUNT  
4CSD57T21FS

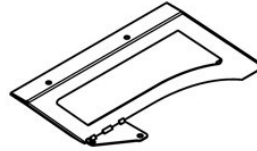
**Pro-gard**<sup>™</sup>  
PRODUCTS LLC.

**STRONG. RELIABLE. SECURE.**

**THESE COMPONENTS ARE REQUIRED  
TO INSTALL THE ALUMINUM STORAGE DRAWER MOUNTS**



4CSD572199



4CSD57T21FS

**I. The following tools will be required to complete the installation**

- A. Metric hex key
- B. SAE sockets
- C. Torx bit

**II. Read all instructions and refer to last page to ensure all parts were received**

---

**WARNING:** *Locate all wiring, fuel lines, brake lines, coolant lines, or refrigerant lines before drilling any holes or installing any self-drilling fasteners.*

---

**III. Cargo Area Preparation**

- A. Locate the points where the mounts will fasten to vehicle. Figure 1 below shows the 6 fastener *locations* with the barrier brackets on the sheet metal floor pan - the floor covering is not shown. If barrier is installed, bolt through barrier brackets to OEM threaded holes. If the barrier is not installed, bolt directly to sheet metal through threaded OEM holes.

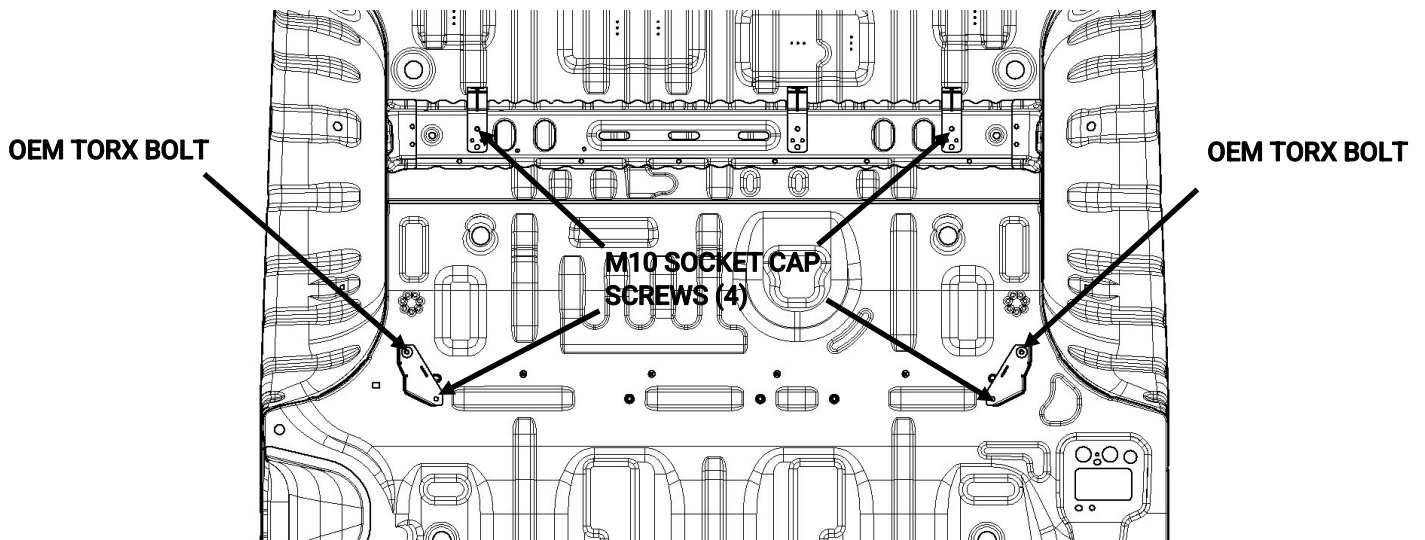


Figure 1

- B. The floor covering is split into two parts. Slit the front and rear portion of the floor covering such that it can be folded out of the way for the mount installation and then folded back over at the end of installation.
- C. The mounts can rest on the floor covering as long as the mounting points are flush metal to metal (See Figure 2)

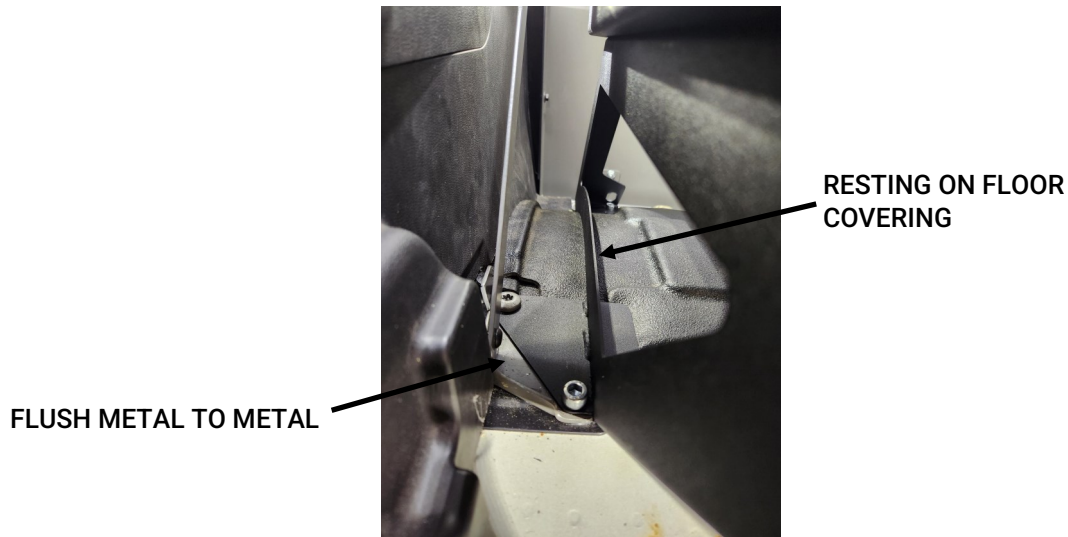


Figure 2

## IV. Install Mounts

**NOTE: If installing with Barrier in place, both mounts will be placed on TOP of Barrier Brackets.**

- A. Using a T50 Torx socket, remove the OEM 3rd row seatbelt fastener.
- B. Place front of the drivers side mount [3CSD572102] into position with the triangular base plate outboard. If barrier is not present, these will be place directly on vehicle sheet metal.
- C. Insert the T50 OEM Torx bolt removed in step A (do not tighten).
- D. Insert (2) M10 socket cap screw [3X254] into the rear and forward most holes (do not tighten).
- E. Once all fasteners are line up, tighten all three fasteners.
- F. Repeat for passenger side mount [3CSD572103].

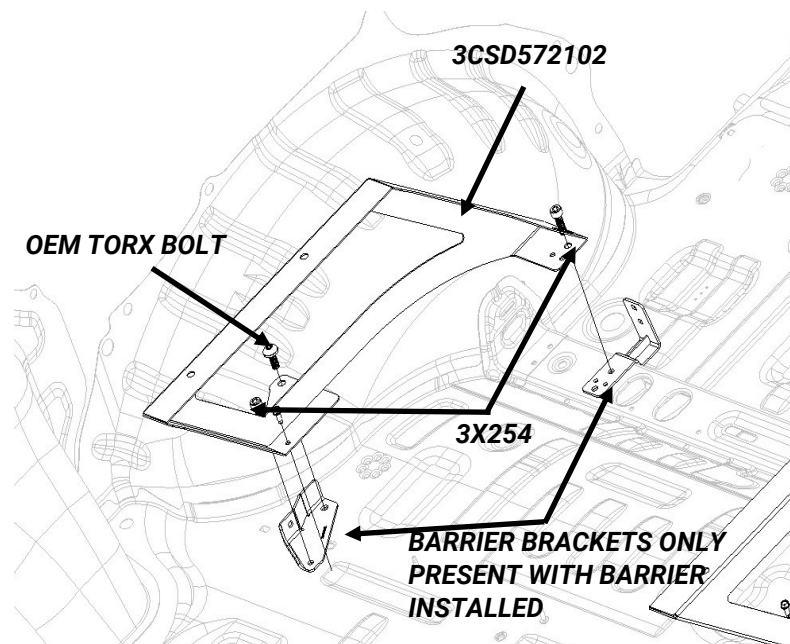


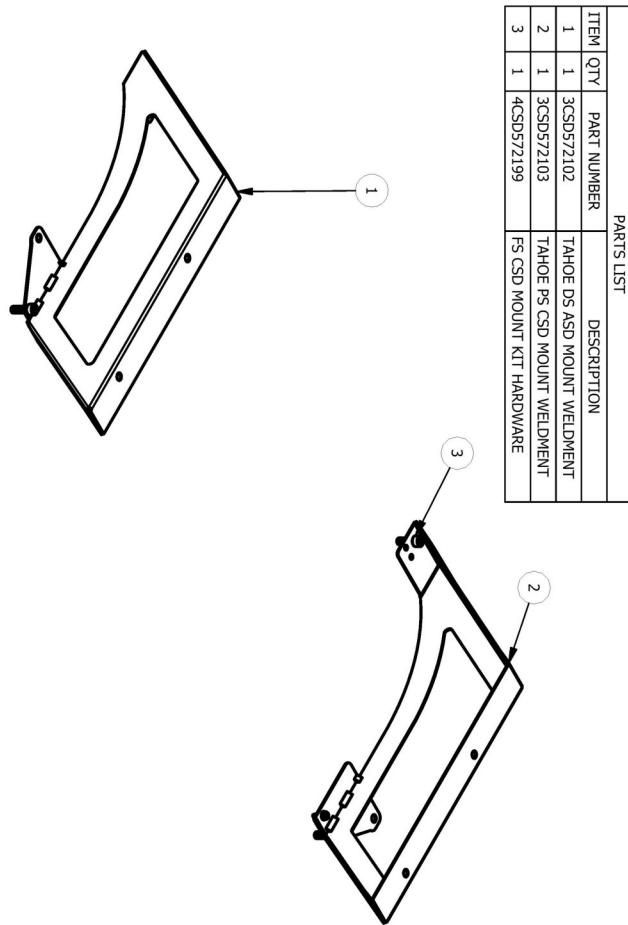
Figure 3

## V. Return Floor Covering to Original Position

- A. The front portion of the floor covering will fold back into place with the slits applied in step III.
- B. Trim the rear portion of the floor covering to fit around the mounts.

### Installation complete

If you have any problems with this installation or have any questions please call (800-480-6680) and ask for technical assistance.



4CSD5721FS