

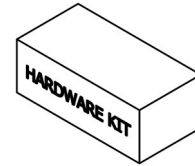
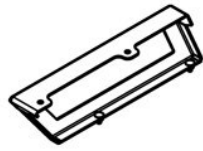
INSTALLATION GUIDE

2021+
CHEVROLET TAHOE
CARGO STORAGE DRAWER MOUNT
4CSD57T21

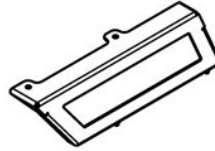
Pro-gardTM
PRODUCTS LLC.

STRONG. RELIABLE. SECURE.

**THESE COMPONENTS ARE REQUIRED
TO INSTALL THE ALUMINUM STORAGE DRAWER MOUNTS**



4CSD572198



4CSD57T21

I. The following tools will be required to complete the installation

A. SAE hex keys

B. SAE sockets or wrenches

II. Read all instructions and refer to last page to ensure all parts were received

WARNING: *Locate all wiring, fuel lines, brake lines, coolant lines, or refrigerant lines before drilling any holes or installing any self-drilling fasteners.*

III. Remove Electronics Cover

- A. The Electronics Cover [3CSF572107] must be removed to gain access to the bottom of structure for application of the nuts on the bottom of the carriage bolts.
- B. Remove the (5) 1/4"-20 x 1/2" Button Head Screws from the perimeter of cover (See Figure 1).
- C. Remove cover and set aside.

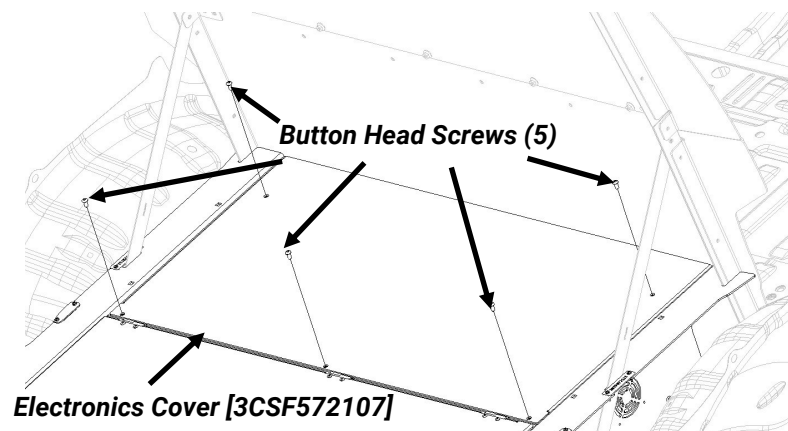


Figure 1

IV. Install Mounts [4CSD57T21].

- A. Place drivers side mount [3CSD572100] on the Driver Side Panel Assembly.
- B. Insert (2) 5/16-18 x 3/4" Carriage Bolts [3X144] into holes and fasten with (2) 5/16-18 nuts [3X166] on underside (See Figure 2).
- C. Repeat with passenger side mount [3CSD572101].
- D. Reinstall Electronics cover.

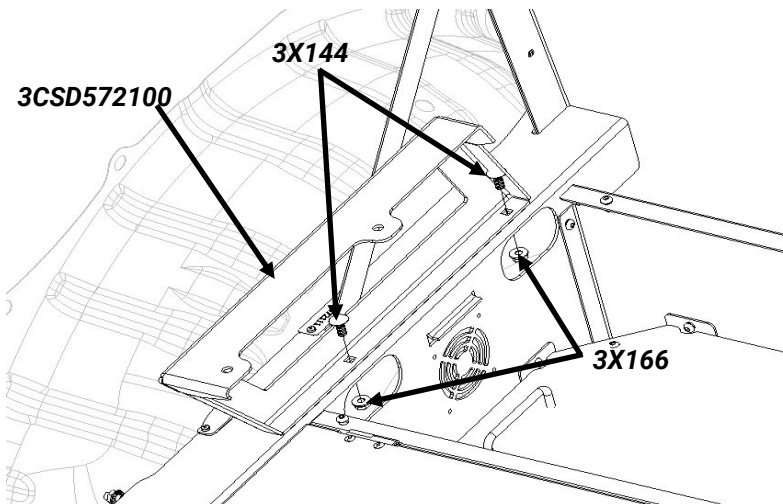
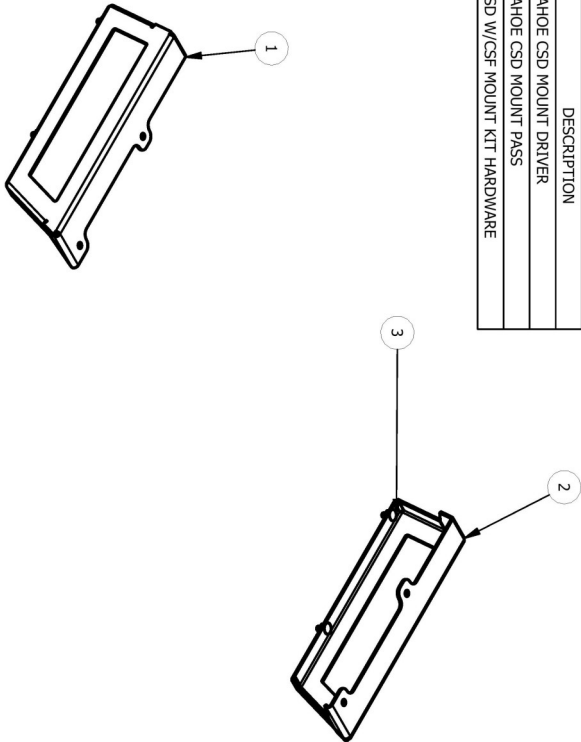


Figure 2

Installation complete

If you have any problems with this installation or have any questions please call (800-480-6680) and ask for technical assistance.

| PARTS LIST | | DESCRIPTION |
|------------|-----|-----------------------------------------|
| ITEM | QTY | PART NUMBER |
| 1 | 1 | 3CSD572100 TAHOE CSD MOUNT DRIVER |
| 2 | 1 | 3CSD572101 TAHOE CSD MOUNT PASS |
| 3 | 1 | 4CSD572198 CSD W/CFE MOUNT KIT HARDWARE |



4CSD5721