

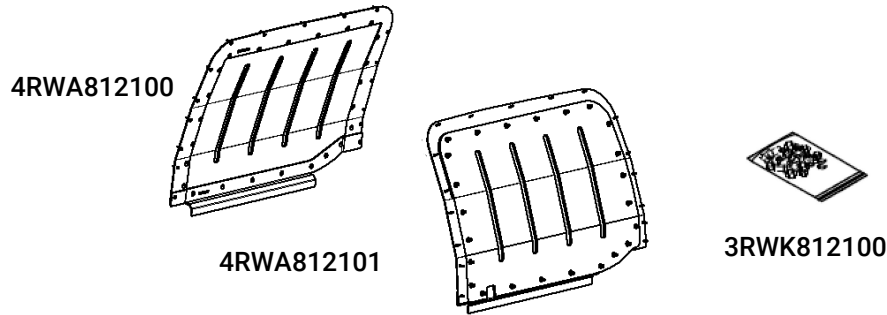
# **INSTALLATION GUIDE**

**2021 - CURRENT  
FORD F150 SUPER CREW  
POLY WINDOW ARMOR FOR OEM DOOR PANEL  
WBP81NPFT21**

**Pro-gard**<sup>TM</sup>  
PRODUCTS LLC.

**STRONG. RELIABLE. SECURE.**

**THESE COMPONENTS ARE REQUIRED  
TO INSTALL THE REAR WINDOW ARMOR**



**I. The following tools will be required to complete the installation**

- A. #2 Phillips driver                      B. 7/64" Drill bit

**II. Read all instructions and refer to the last page to ensure all parts were received**

---

**WARNING:** *Locate all wiring, fuel lines, brake lines, coolant lines, and refrigerant lines before drilling any holes or installing any self-drilling fasteners.*

---

**III. Window Armor Installation**

- A. Place window armor into window frame of door and rest on OEM panel. Adjust window armor left or right to ensure proper alignment within window frame.
- B. Ensure the armor is properly seated on the door panel.
- C. Align the upper bracket of the window armor to the vehicle window trim.
- D. Ensure the door panel is aligned with the door on all sides.
- E. Once fitted satisfactorily, drive (17) self-tapping screws [3X72] into the upper door (Fig. 1). It may be necessary to use a 7/64" drill bit to pre drill some of the holes.
- F. Repeat for the opposite side.

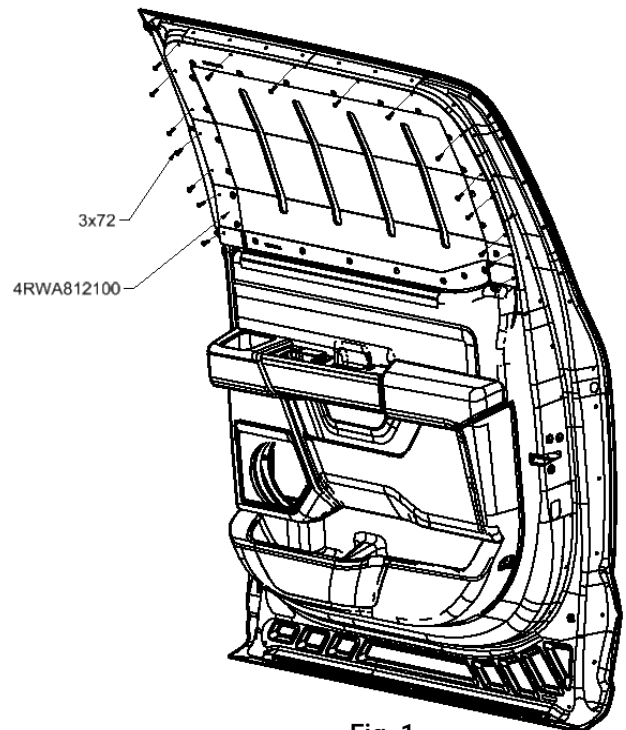


Fig. 1

**Installation complete**

If you have any problems with this installation or have any questions please call (800-480-6680) and ask for technical assistance.

Parts List			
ITEM	QTY	PART NUMBER	DESCRIPTION
1	1	4RWA812100	POLY WINDOW ARMER PASS. OEM
2	1	4RWA812101	POLY WINDOW ARMOR DRIVER OEM
3	1	3RWK812100	F150 WINDOW ARMOR HARDWARE

