

INSTALLATION GUIDE

WBP47U1N13

POLY WINDOW ARMOR AND

ABS DOOR PANEL

2013 - 2019 FORD POLICE

INTERCEPTOR UTILITY

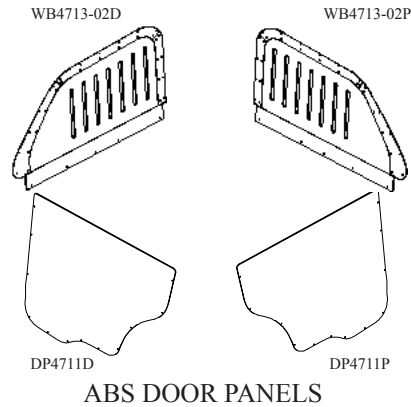
Pro-gard[™]
PRODUCTS LLC.

STRONG | RELIABLE | SECURE

pro-gard.com
800.480.6680

THESE COMPONENTS ARE REQUIRED
TO INSTALL THE PRO-GARD STEEL WINDOW ARMOR

POLY WINDOW ARMOR ASSEMBLIES



HARWARE KIT

- I. Refer to the diagram on the last page to verify all parts were received.
- II. The following tools will be required to complete the installation.
 1. Drill with standard #2 Philips driver
 2. Drill bit 7/64" diameter
 3. T20 Torx Bit & Bit Driver
- III. Read all instructions carefully before starting the assembly process.

NOTE: *Locate all Wiring, Fuel Lines, Brake Lines, and/or Cooling Lines before drilling holes or installing any Fasteners.*

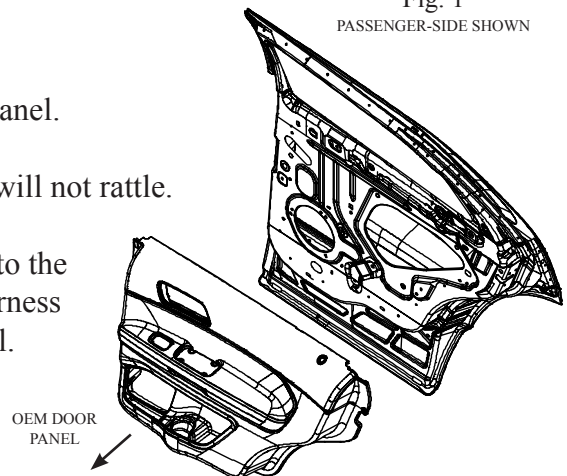
IV. OEM Door Panel Removal

- A. Remove the OEM door panel from the door frame. (See Fig. 1)

Note: Save the lower two OEM fasteners, as they will be reused in ABS Door Panel installation.

- B. Remove the power window switch from the door panel.
- C. Secure the door latch cable to the door frame so it will not rattle.
- D. Make sure the power window switch is connected to the harness, protect it from moisture and secure the harness inside the door frame away from the window travel.
- E. Remove the top portion of OEM Stud (above nut) holding the window track into place. (See Fig. 2)

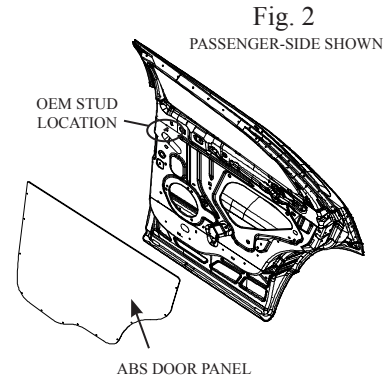
Fig. 1
PASSENGER-SIDE SHOWN



F. Remove and discard the top plastic portion of the door lock mechanism. Position the steel rod in the door frame so that it will still actuate as needed to lock/un-lock the door.

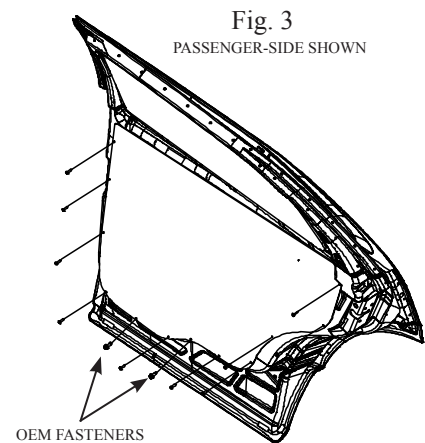
V. ABS Door Panel Installation

- A. Place the ABS Door Panel against the door and align and install the lower two OEM screws into the existing holes on the bottom of the door.(See Fig. 2 & 3)
- B. Attach the remainder of the door panel with #8 x 5/8 self tapping screws (Do not install screws in the 5 holes along the top until window armor has been installed)



VI. Window Armor Installation

- A. Place the Window Armor against door frame. Center the outside of the metal mounting frame on the door side to side. Firmly push against the window armor to bend it flush against the door frame. It may be necessary to clamp the window armor in place while securing with fasteners. (See Fig. 3)
- B. Align the holes in the top rail with the upper door frame. Ensure all holes line up with door frame before securing.
- C. Install the center lower screw first then install the upper plate screws. Followed by the remaining lower screws. The supplied screws are a Type A-self tapping but sometimes it is necessary to drill a 7/64" pilot hole.



VII. Installation Complete

