

INSTALLATION GUIDE

WB56NPC11

STEEL WINDOW ARMOR

11 - CURRENT

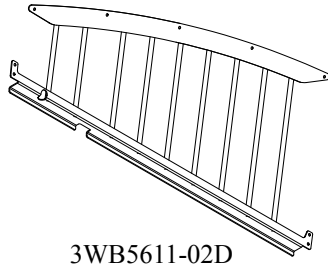
DODGE CHARGER

Pro-gard[™]
PRODUCTS LLC.

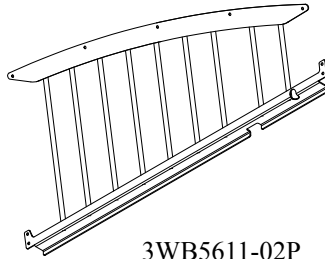
STRONG | RELIABLE | SECURE

pro-gard.com
800.480.6680

THESE COMPONENTS ARE REQUIRED
TO INSTALL THE PRO-GARD WINDOW ARMOR SYSTEM



3WB5611-02D



3WB5611-02P



HARDWARE KIT

STEEL WINDOW ARMOR ASSEMBLIES

THIS WINDOW ARMOR IS ONLY USED WITH THE OEM DOOR PANEL.
Use #WB56C11 with Pro-gard ABS door panel.

- I. Refer to the diagrams above to verify all parts were received.
- II. The following tools will be required to complete the installation.
 1. Drill with standard #2 Philips driver
 2. Drill bit 7/64" diameter
- III. Window Armor Installation
 1. From the inside of the door place the Armor into the corresponding window opening with the lower flange resting on the top of the OEM Door Panel. Insure that the rear flange is installed behind the OEM Door Panel and between the rubber window seal (See Fig. 1).
 2. Center the outside of the metal mounting frame on the door front to back.
 3. Install the lower screws at each side first then work up each side installing the rest of the screws. The supplied screws (3X72) are a Type A-self tapping but sometimes it is necessary to drill a 7/64" pilot hole.

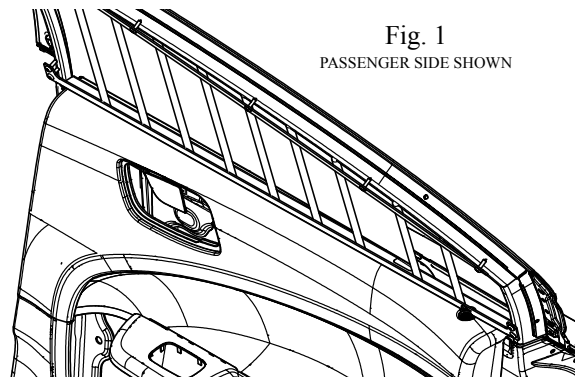


Fig. 1
PASSENGER SIDE SHOWN

- IV. Installation is now complete.