

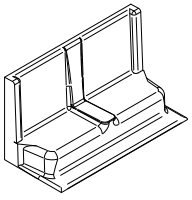
INSTALLATION GUIDE

S57XXT15
TRANSPORT SEAT
2015 - 2020 CHEVROLET TAHOE

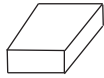
Pro-gard[™]
PRODUCTS LLC.

STRONG | RELIABLE | SECURE

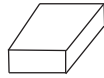
THESE COMPONENTS ARE REQUIRED
TO INSTALL THE PRO-GARD TRANSPORT SEAT



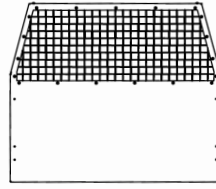
3S5715
SEAT



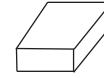
4S57T15
SEAT KIT



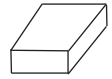
4SHK5715
SEAT HARDWARE



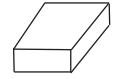
4B57XXT15
BARRIER



4BK5715
BARRIER KIT



4BWK57TAH
WING HARDWARE KIT



4BHK5715
BARRIER HARDWARE

I. Refer to the diagram above to verify all parts were received.

II. The following tools will be required to complete the installation:

- | | | |
|-----------------|-------------------------|---------------------|
| 1. 7/16" Socket | 2. Phillips Screwdriver | 3. 5/32" Hex Wrench |
| 4. 18mm Socket | 5. 12mm Socket | 6. 20mm Socket |

III. Read all instructions carefully before starting the assembly process.

NOTE: *Locate all wiring, fuel lines, brake lines, and /or cooling lines before drilling holes or installing any fasteners.*

IV. Barrier Installation

NOTE: *Pro-gard's Cargo Barrier must be installed and 2nd row seats removed to proceed with seat installation.*

A. Install Pro-gard Cargo Barrier per its included instructions.

V. Seat Installation

A. Install seat support bracket 3S5715-01 onto the barrier using the 3X03 bolts and 3X16 nuts already installed on the barrier. Tighten all fasteners. (Fig. 1)

B. Hold the 3P5732 seat support bracket upright near the center of the vehicle with the angled leg facing towards the front of the vehicle.

Place 3S5715-02 underneath the hole located in 3P5732.

Insert the slot located on the bracket through the inner OEM seat stud located on the drivers side. Loosely secure using the OEM nut.

Insert the weld-stud located on 3S5715-03 through the (2) previous brackets and secure the bracket using the inner most OEM seat stud located on the passenger side.

Tighten down both OEM nuts securing the assembly. The assembly should be center of the vehicle. (Fig. 2 & 3)

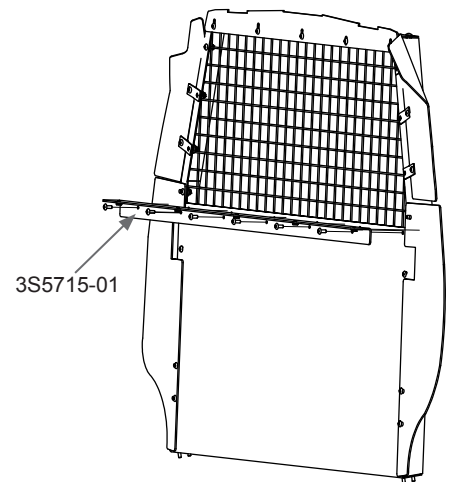


Fig. 1

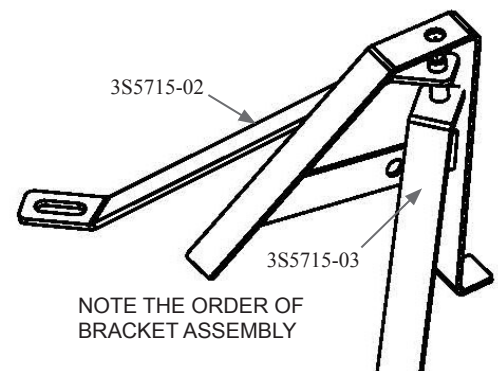


Fig. 2

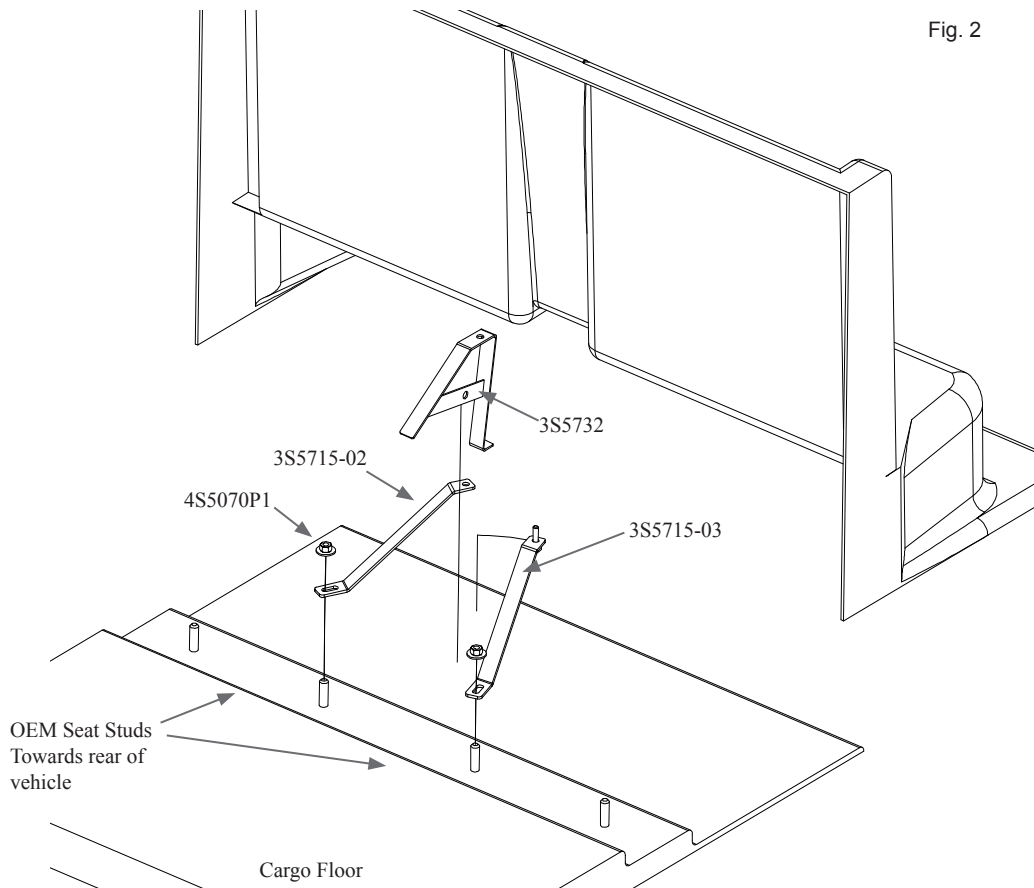


Fig. 3

- C. Insert the (4) 4S5070P1 spacers over the (4) OEM studs. The studs are located just behind the driver and passenger seat.
- D. Place the Pro-Gard Transport Seat into the vehicle. Align the (4) OEM studs with the (4) holes located in the seat. Pull the shoulder belts out away from the seat, begin sliding the seat back and aligning the slots in the seat with the hole locations in the seat support bar.
- E. With the seat in place secure the upper portion of the seat with the provided 3X223 bolts and 3X12 washers. Using the provided 3X183 acorn nuts and 3X260 washers secure the lower portion of the seat with the OEM seat studs.
- F. Remove the seat belt buckles for the rear seat that was removed previously.
- G. Place the OEM seat belt buckles through the M12 stud in the center of the seat. Secure using the provided lock-nut (3X182). The locating tab on the buckle assembly can be bent or removed before installation into the vehicle.
- H. Check overall fit and alignment of the seat. Tighten all fasteners.

Installation Complete

4S57T15 SEAT KIT			
ITEM	QTY	PART NUMBER	DESCRIPTION
1	1	3S5715	SEAT TAH 15
2	1	3P5732	SEAT SUPPORT BRACKET TAHOE
3	1	3S5715-01	SEAT BAR TAH 15
4	1	3S5715-02	SEAT SUP BRKT TAH 15 (DRIVER)
5	1	3S5715-03	SEAT SUP BRKT TAH 15 (PASS)

45HK5715 SEAT HARDWARE KIT (NOT SHOWN)			
ITEM	QTY	PART NUMBER	DESCRIPTION
6	4	4S5070P1	1" OD 1/2" ID PLASTIC SPACER
7	4	3X260	1.75" WASHER
8	5	3X223	1/4-20 X 1" BHS BLK ZINC
9	4	3X183	M12 X 1.75 ACORN NUT, ZINC
10	1	3X182	M12 X 1.75 NYLON LOCK NUT, ZINC
11	5	3X12	1/4" FLAT WASHER BLK

