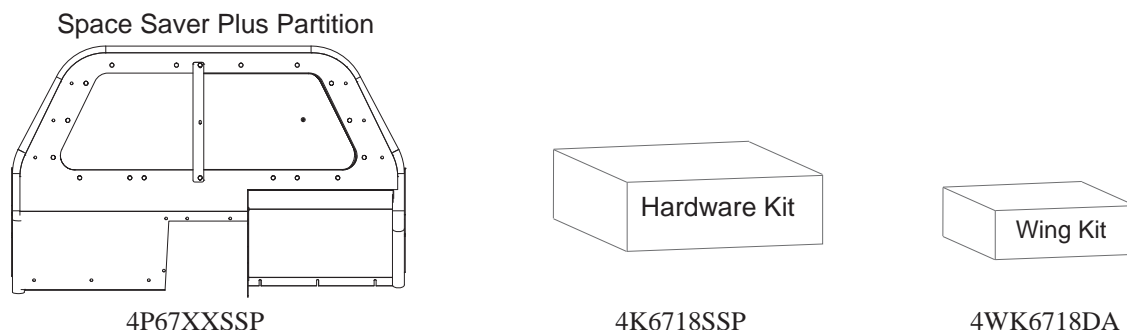


INSTALLATION GUIDE
PSSP67XXD18A
SPACE SAVER PLUS
PARTITION
2018 DURANGO

Pro-gard[™]
PRODUCTS LLC.

STRONG | RELIABLE | SECURE

THESE COMPONENTS ARE REQUIRED
TO INSTALL THE PARTITION



I. The following tools will be required to complete the installation.

- A. 7/16" Socket & Ratchet
- B. 7/16" Open ended Wrench
- C. 3/16" Allen Wrench
- D. 3/8" Socket & Ratchet
- E. 3/16" Drill Bit
- F. 1" Hole Saw & Drill Bit

II. Read all instructions carefully and refer to page 5 to ensure all parts were received.

WARNING: *Locate all wiring, fuel lines, brake lines, coolant lines, or refrigerant lines before drilling any holes or installing any self-drilling fasteners.*

III. Preparing the B-Pillar.

- A. Remove the B-pillar trim to access the sheet metal body. After the trim is removed, locate 3PRT6718-01D & 3PRT6718-01P B-pillar brackets.

The B-pillar bracket is located under the seat belt guide and the side flanges register in the b-pillar body recessed contours as shown in fig. 1.

Mark the hole locations and drill (4) 3/16" dia. pilot holes on each mark. Secure the B-pillar brackets to the driver & passenger sides of the vehicle with the self-tapping screws (3X162).

- B. Use the supplied B-pillar templates on the last 2 pages to mark the three hole locations in the B-pillar trims. Drill out the 1" holes so the standoffs can fit through and re-install the trim.

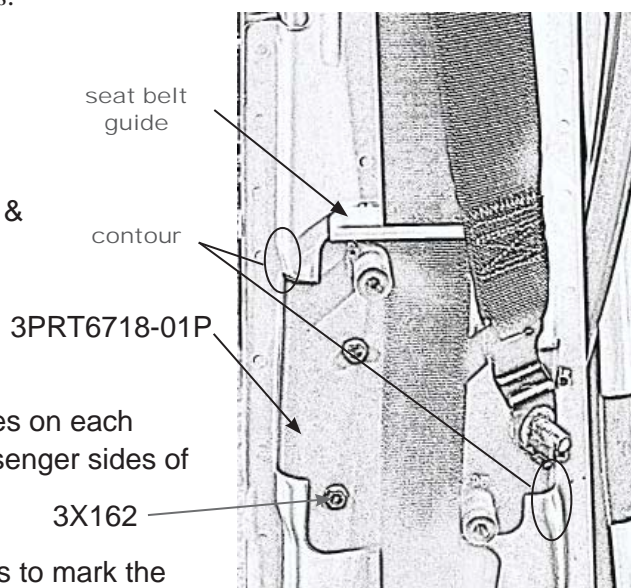
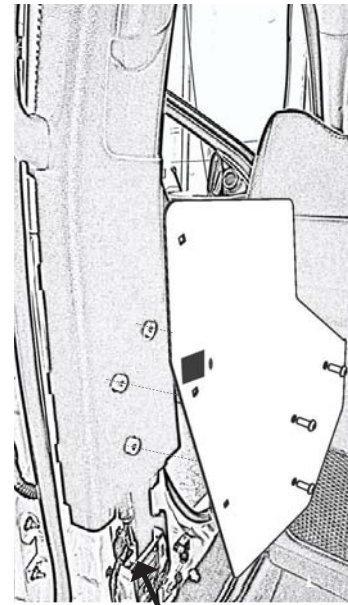


Fig. 1

IV. Partition Installation.

- A. When B-pillar bracket installation is completed and the trim is reinstalled, then the partition mounting plate (3PK6718-03D) can be installed. (Fig. 2)
- B. Also at this time, install the passenger side partition mounting plate (3PK6718-02P) using three (3X149) screws leaving bolts loose until the partition is installed.
- C. At this point the partition can be installed in the vehicle. We recommend that two people lift the partition in place. Carefully lift the partition with another person through the second row doors. Start the three (3X36) bolts and (3X16Z) whiz nuts on each of the partition side tabs to hold in place.
- D. Have one person hold the partition tight to the ceiling of the vehicle while the other person tightens all the loose screws on the mounting plates. (Fig. 3)



Lower trim to be re-installed here (not shown)

Fig. 2

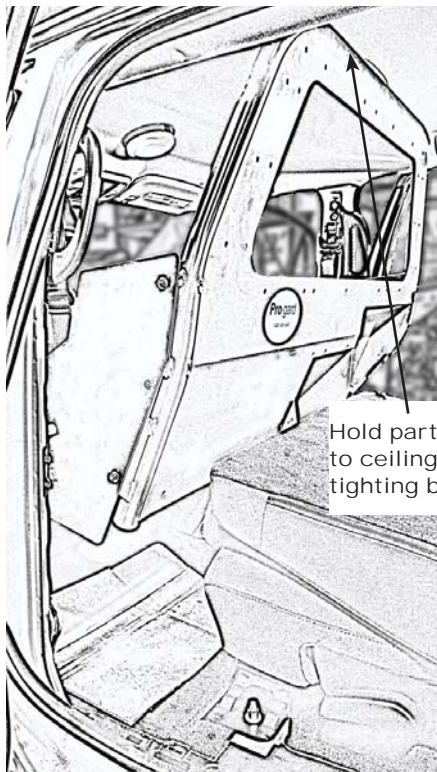


Fig. 3

V. Seat Protector & Recess Panel Installation

- A. Next, install the driver's side bucket seat protector (3SP6718-02D) by aligning holes with the partition and fasten using (3X36) bolts and (3X16Z) whiz nuts. The seat protector fits tight to the floor when in proper location. (Fig. 4)

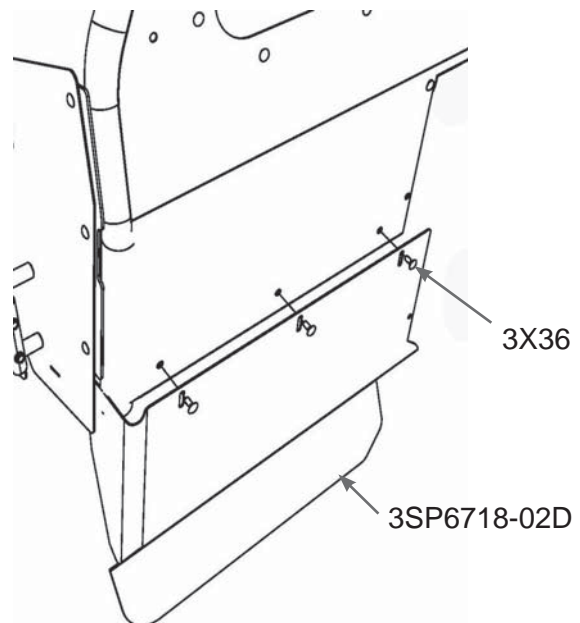


Fig. 4

- B. Similarly, place the passenger's side bucket seat protector (3SP6718-02-PSSP), get all bolts started and tighten to secure. The seat protector fits over the seat rails and tight to the floor when in proper location. (Fig. 5)
- C. Locate and fasten recess panel (3RP6718-01A) using (3X36) bolts and (3X16Z) whiz nuts. (Fig. 6)
- D. Fasten door handle pocket 3PK6718-002 using bolt (3X36) and nut (3X16Z) to mounting plate on each side (Fig 7).

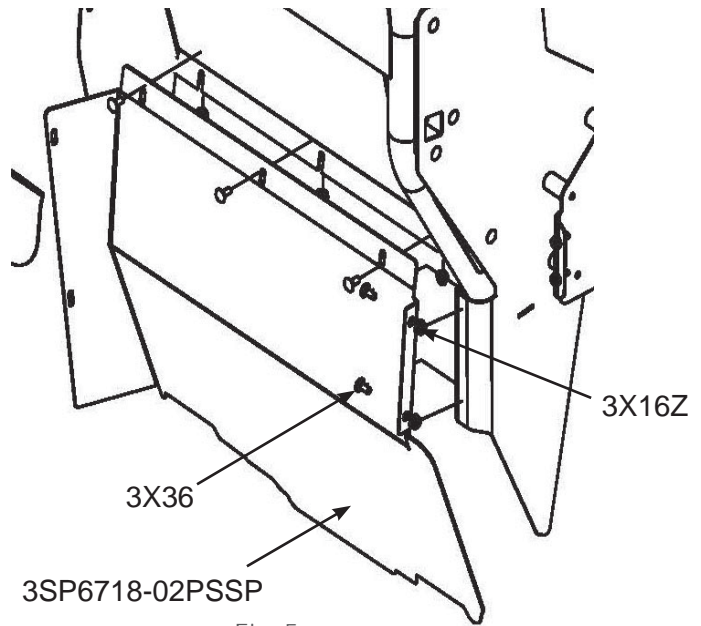


Fig. 5

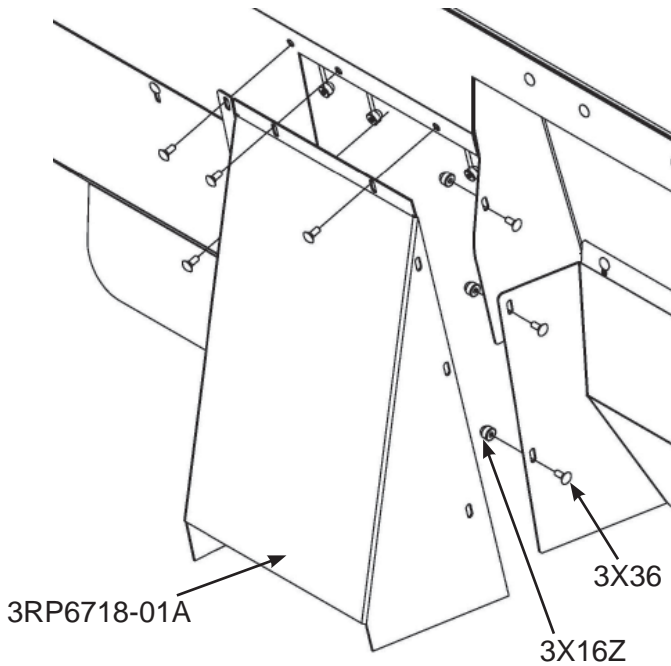


Fig. 6

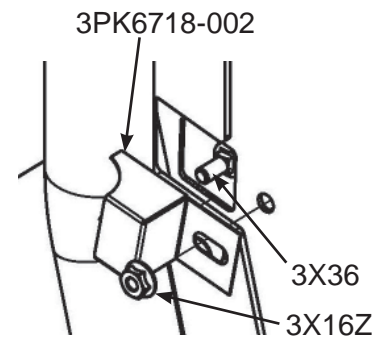


Fig. 7

VI. Install Headliner

- A. Re-using bolts and nuts from window frame, install headliner 3W6718-05 (Fig 8). Headliner will be found in the wing kit box.

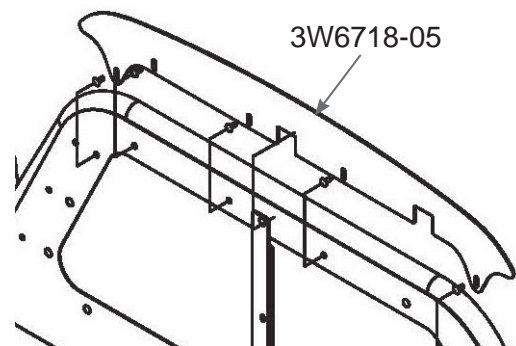


Fig. 8

VII. Air Bag Wing Installation

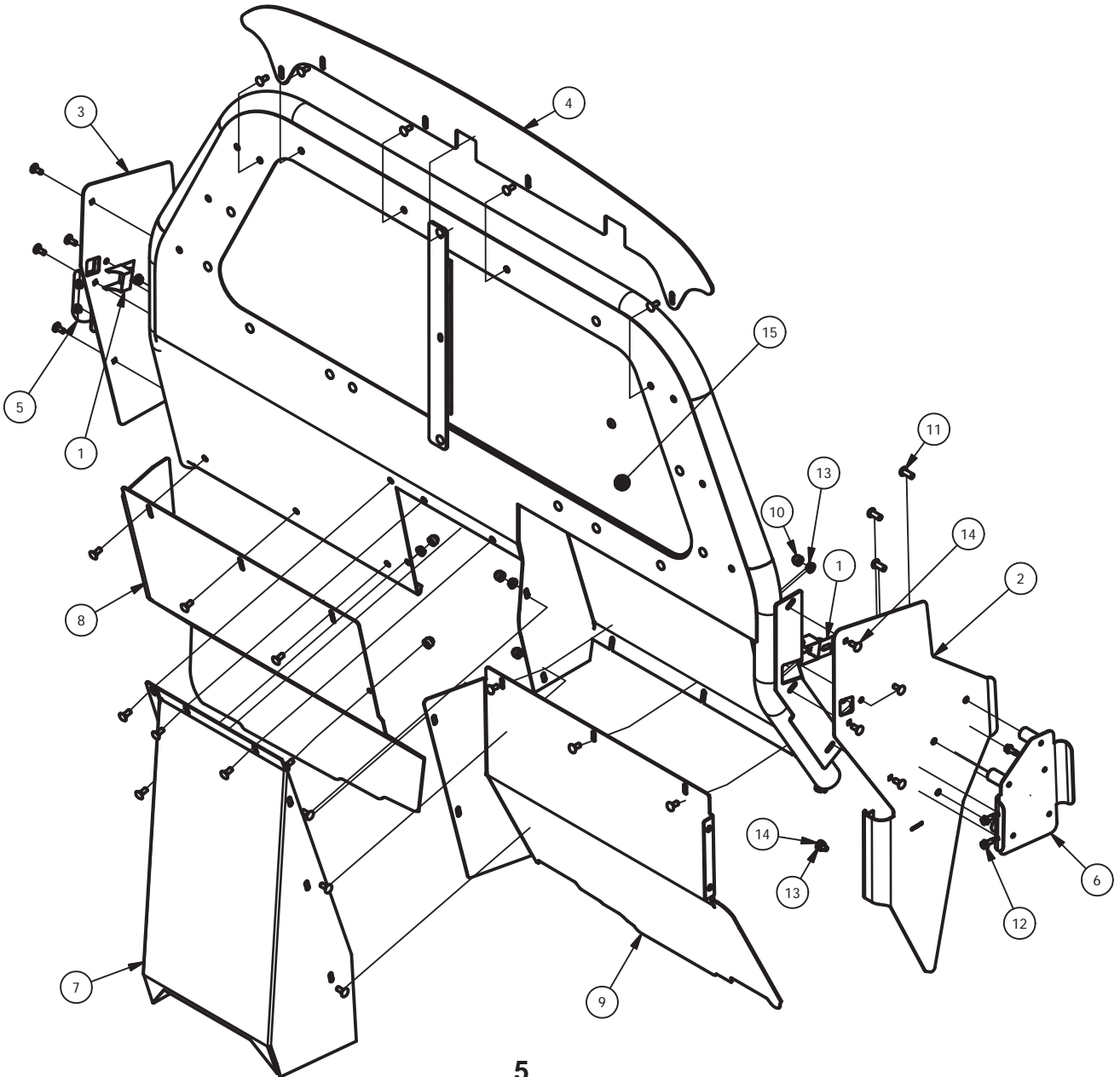
- A. The Filler Wings and their mounting hardware are packed in wing kit box. Install according to the instructions in that box.

Installation complete!

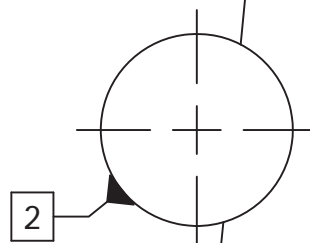
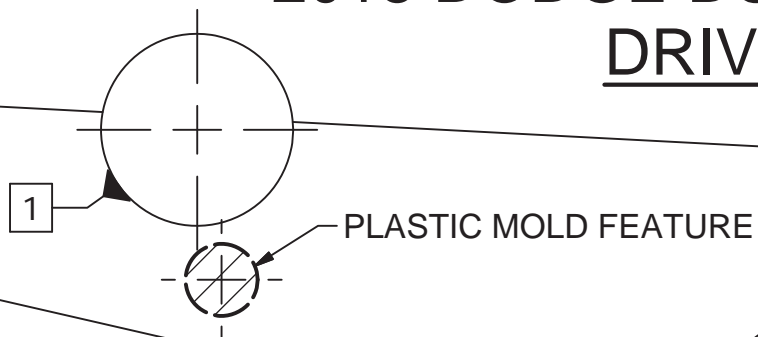
If you have any problems with this installation then call the toll free number (800-480-6680) and ask for technical assistance.

Space Saver Plus Partition

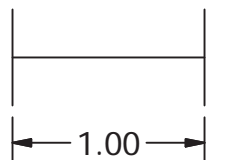
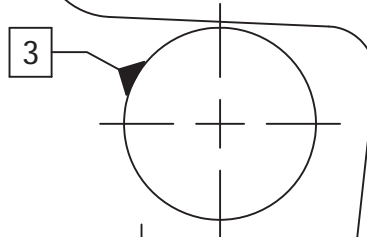
PARTS LIST			
ITEM	QTY	PART NUMBER	DESCRIPTION
1	2	3PK6718-002	DOOR HANDLE POCKET
2	1	3PK6718-02P	MOUNTING PLATE DUR 18 SS PLUS
3	1	3PK6718-03D	MOUNTING PLATE DUR 18 SS PLUS
4	1	3W6718-05	TOP FILLER PANEL AB DUR18
5	1	3PRT6718-01D	B-PILLAR BRACKET DRIVER DUR 18
6	1	3PRT6718-01P	B-PILLAR BRACKET PASSENGER DUR18
7	1	3RP6718-01A	RECESS PANEL DUR18 SSP
8	1	3SP6718-02D	SEAT PROTECTOR DS DUR 18
9	1	3SP6718-02PSSP	SEAT PROTECTOR DUR18 SS PLUS
10	20	3X145	BLACK PLASTIC CAP
11	6	3X149	5/16-18 X 3/4 BSHCS, BK
12	8	3X162	#14 x 3/4" SELF DRILLING HEX HEAD SCREW
13	24	3X16Z	1/4-20 WHIZ NUT
14	24	3X36	1/4-20 X 5/8 CARRIAGE BOLT
15	1	4P67XXSPP	PARTITION **WINDOW CONFIGURATION VARIES**



TRIM PANEL TEMPLATE FOR PARTITION INSTALL ON 2018 DODGE DURANGO DRIVER SIDE



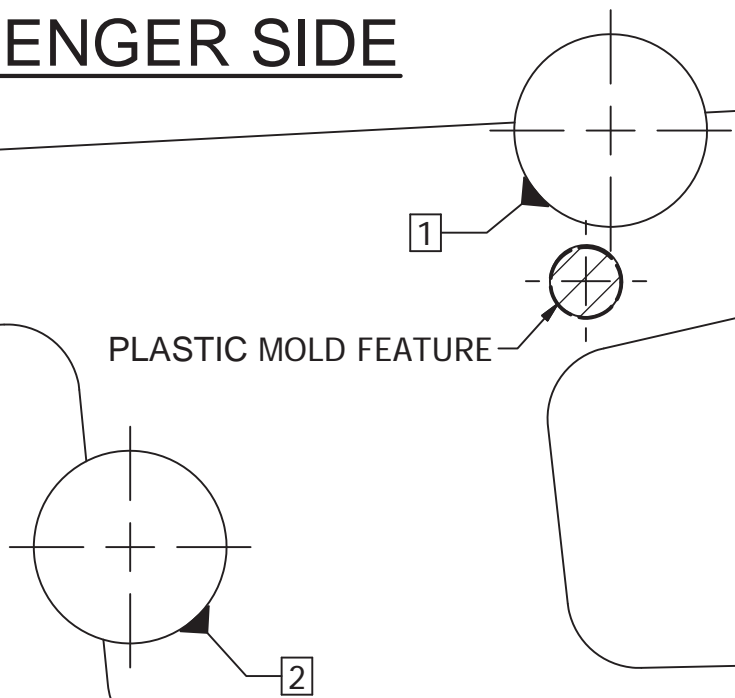
- A. CUT OUT CROSS HATCHED AREAS AND ALONG DASHED LINES.
- B. LINE UP CUT OUTS WITH TRIM PANEL FEATURES
- C. CENTER PUNCH THREE HOLE LOCATIONS THRU TEMPLATE & DRILL/CUT 1" DIA HOLES



CHECK SCALE

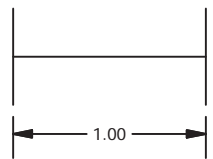
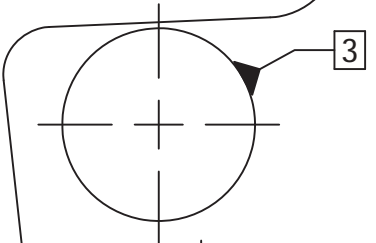
SELECT "NONE" FOR PAGE
SCALING, OR SELECT "ACTUAL SIZE"
WHEN PRINTING FROM .pdf FILE

TRIM PANEL TEMPLATE FOR PARTITION INSTALL ON 2018 DODGE DURANGO PASSENGER SIDE



PLASTIC MOLD FEATURE

- A. CUT OUT CROSS HATCHED AREAS AND ALONG DASHED LINES.
- B. LINE UP CUT OUTS WITH TRIM PANEL FEATURES
- C. CENTER PUNCH THREE HOLE LOCATIONS THRU TEMPLATE & DRILL/CUT 1" DIA HOLES



CHECK SCALE

SELECT "NONE" FOR PAGE SCALING, OR SELECT "ACTUAL SIZE" WHEN PRINTING FROM .pdf FILE