

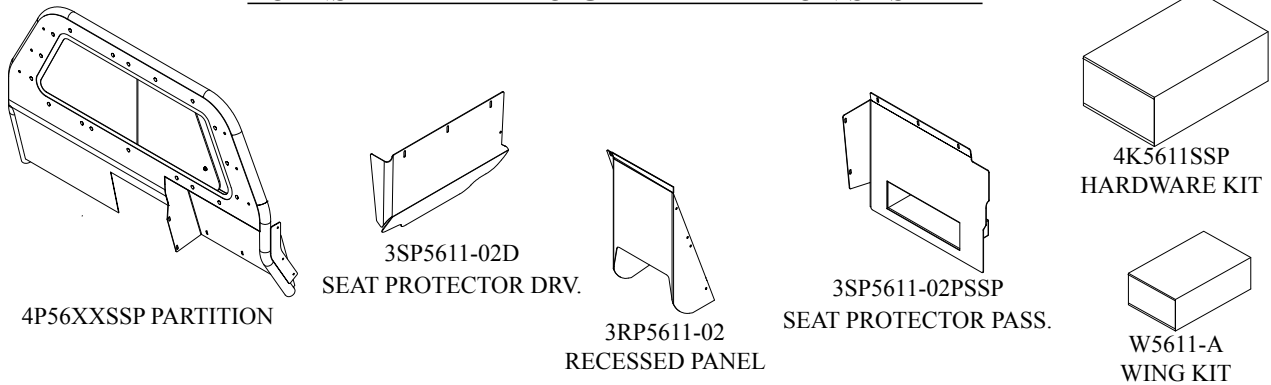
**INSTALLATION GUIDE**  
**PSSP56XXC11A**  
**SPACE SAVER PLUS PARTITION**  
**2011 - CURRENT**  
**DODGE CHARGER**

**Pro-gard**<sup>™</sup>  
PRODUCTS LLC.

STRONG | RELIABLE | SECURE

**pro-gard.com**  
**800.480.6680**

THESE COMPONENTS ARE REQUIRED  
TO INSTALL THE PRO-GARD PARTITION SYSTEM



I. Refer to the diagram on the last page of these instructions to verify all parts were received.

II. The following tools will be required to complete the installation.

- A. 1/4" drive ratchet with 7/16" socket
- B. 3/16" Allen key & 5/32" Allen key
- C. 1" Hole saw
- D. Drill with 3/8" Socket
- E. T15 Torx Driver

III. Read all instructions carefully before starting the assembly process.

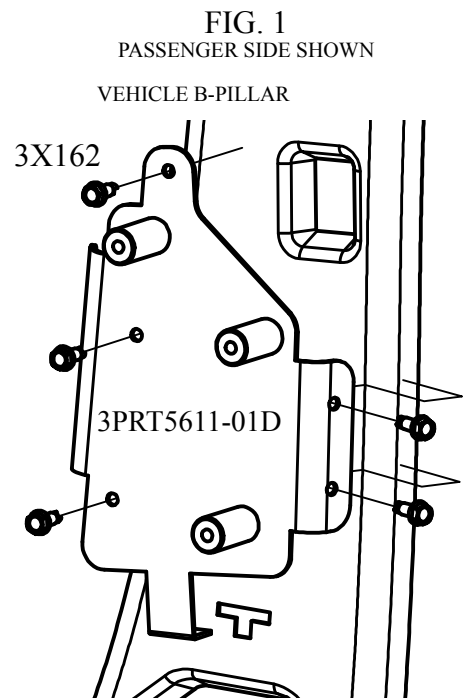
**NOTE:** *Locate all Wiring, Fuel Lines, Brake Lines, and/or Cooling Lines before drilling holes or installing Fasteners.*

IV. B-Pillar Bracket Installation

A. Remove B-pillar trim on the Passenger-side. This will be reinstalled after bracket installation.  
**Note:** *From the head liner down the trim is held in place by snap fasteners but the top of the trim panel is held in place with a screw. Pull head liner down and away from the trim panel and use a T15 torx driver to remove the screw.*

B. Place the Passenger B-pillar bracket (3PRT5611-01P) against the B-pillar face (See Fig. 1).

C. Orient the B-pillar bracket so the bottom tab fits into the "T" slot on the B-pillar and the formed edges wrap around the B-pillar. Using the supplied Self-Drilling screws (3X162) secure the B-pillar.



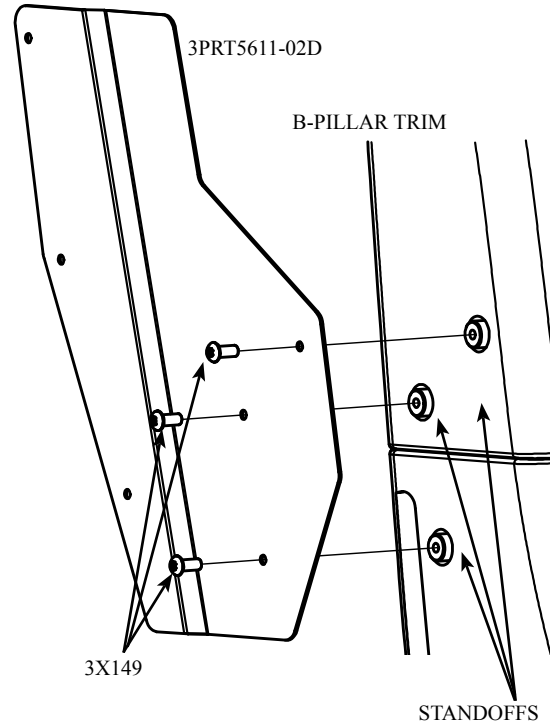
D. Using the Driver B-pillar bracket (3PRT5611-02D) repeat process on Driver-side of the vehicle.

V. Drilling B-pillar Trim Panels

A. Remove the sound insulation located inside the Driver-side trim panel, carefully align the template per their included instructions. Using a 1" Hole Saw drill the clearance holes as marked on the template. Replacement of sound insulation is optional. **FIG. 2**  
DRIVER SIDE SHOWN

B. Replace the trim panel, insuring that the standoff's protrude through the panel.

C. Repeat process on the Passenger-side trim panel.



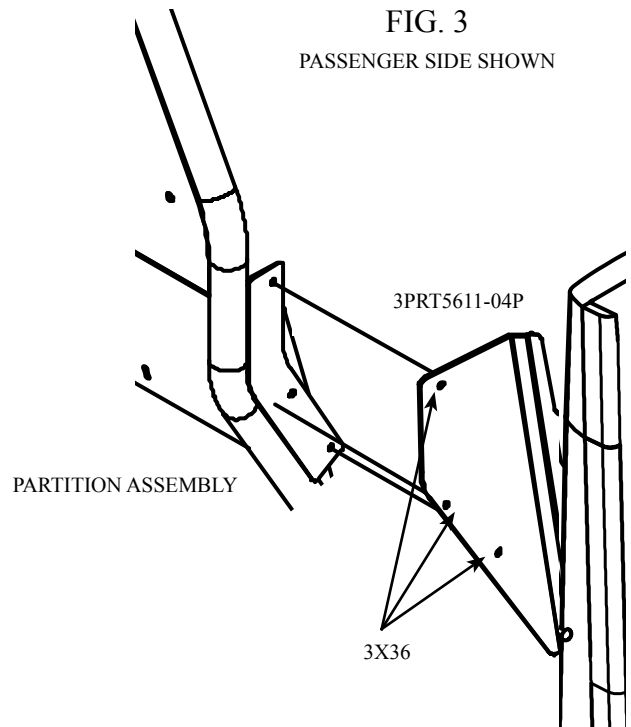
VI. Installing Partition Mounting Plates

A. Attach the Passenger-side Mounting Plate (3PRT5611-04P) using the supplied 5/16-18 x 3/4" Button head screws (3X149) to the standoff's protruding through the B-pillar trim (See Fig. 2). Hand tighten only.

B. Attach the Driver-side Mounting Plate (3PRT5611-02D) using the supplied 5/16-18 x 3/4" Button head screws (3X149) to the standoff's protruding through the B-pillar trim (See Fig. 2). Hand tighten only.

VII. Partition Installation

A. Due to the weight and size of the partition, assistance from another party is highly recommended. Insert the partition into the vehicle, lift and position the partition so that it aligns with the Partition Mounting Plates, using the supplied 1/4-20 x 3/4" Carriage Bolts (3X36) and 1/4-20 Whiz nuts (3X16Z) secure the Partition to the Mounting Plates (See Fig. 3). Hand tighten only.



**FIG. 3**  
PASSENGER SIDE SHOWN

VIII. Lower Extension Panel & Recessed Panel Installation

A. Place the Driver's Lower Extension Panel against the Partition. Insure that the wing on the side of the Panel goes under the Sheetmetal mounting plate on the Driver's side. Align the holes in the Panel with the Partition and secure using the supplied 1/4-20 x 5/8" (3X36) bolts and whiz nuts (3X16Z). (See Fig. 4)

B. Locate the Recessed Panel (3RP5611-02), align it with the holes in the Partition. Secure using the 1/4-20 x 5/8" (3X36) bolts and whiz nuts (3X16Z) supplied hardware in the kit. (See Fig. 5)

C. Place the Passenger's seat protector against the Partition. Align the holes in the panel with the Partition and Recessed Panel. First install the top bolt on the left edge of the panel through the recessed panel and then the partition and secure with the supplied 1/4-20 x 3/4" (3X61) carriage bolt and whiz nut (3X16Z). Next install three top bolts securing the panel to the bottom of the partition using carriage bolts and whiz nuts again. Now install the lower 1/4-20 x 3/4" Button Socket Cap Screw (3X184) through the lower hole in the seat protector and into the weld nut on the recessed panel.

**NOTE:** If installing with a PGP ABS Floor Pan the Seat Protector goes in Front of the Floor Pan.

IX. Air Bag wing Installation

A. The Filler Wings and their mounting hardware are packed in a separate box marked Wing Kit. Install the Filler Wings according to thier included Install Instrutions.

X. Audit the overall installation for fit and function of all components. Once satisfied, insure all fasteners are tight.

XI. Installation is now complete.

FIG. 4

PASSENGER SIDE SHOWN

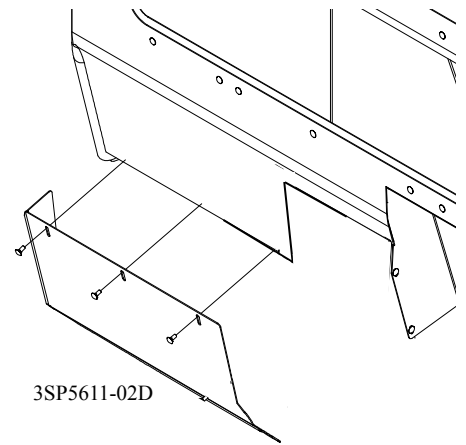


FIG. 5

PASSENGER SIDE SHOWN

NOTE:INSTALL THIS BOLT 1st, AFTER ALIGNING PASSENGER SIDE SEAT PROTECTOR

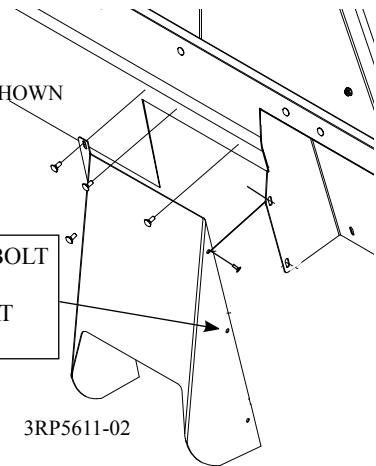
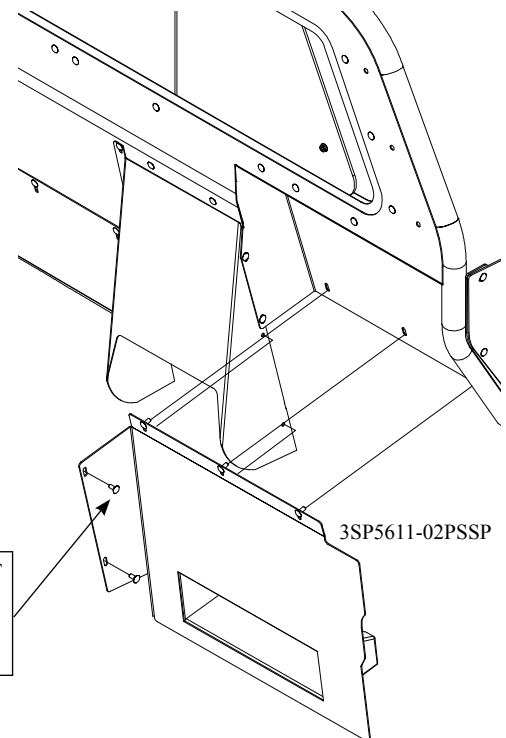
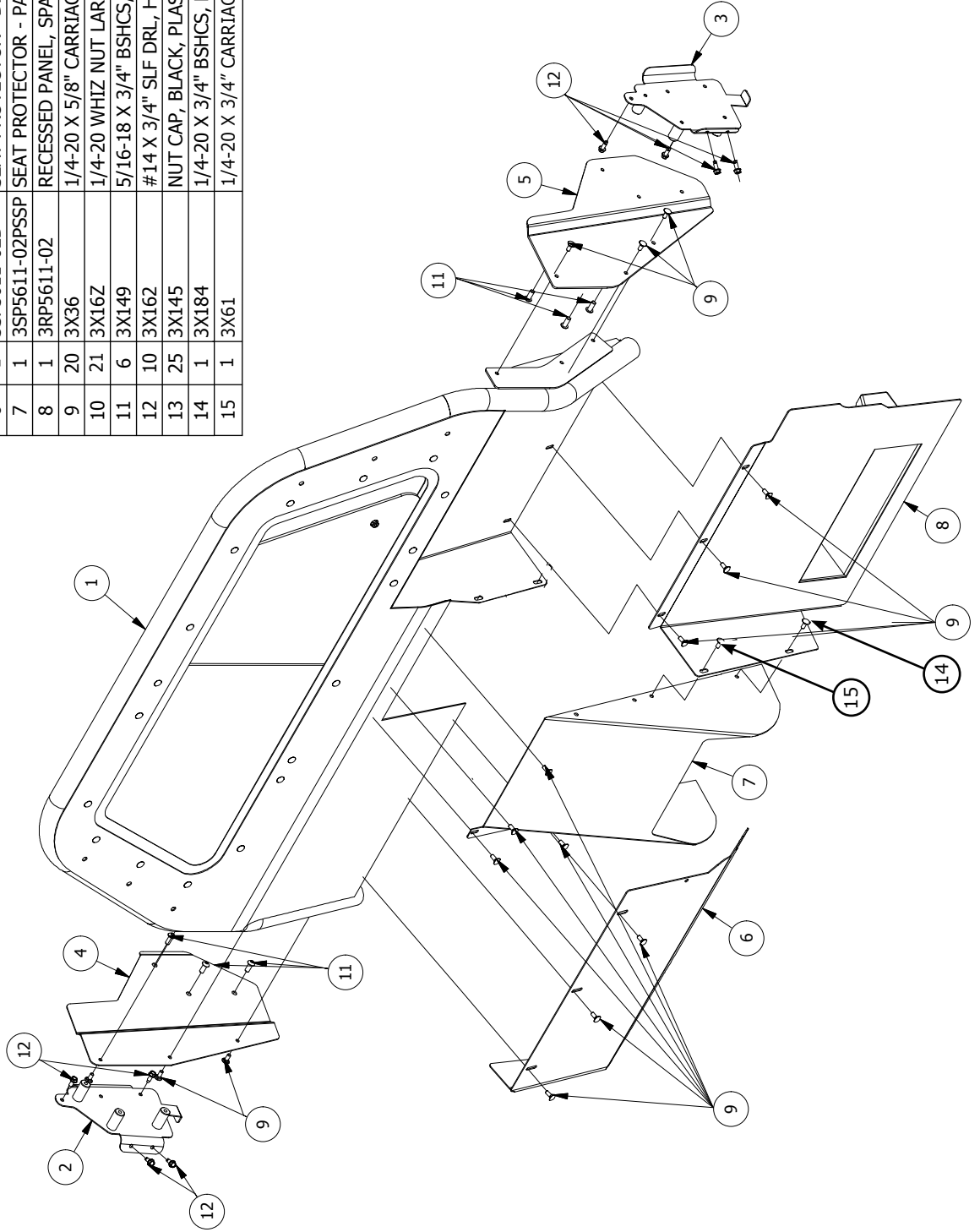


FIG. 6

PASSENGER SIDE SHOWN



PARTS LIST		
ITEM QTY	PART NUMBER	DESCRIPTION
1	VARIES	PARTITION ASSEMBLY
2	3PRT5611-01D	MOUNTING BRACKET - DRIVER, B-PILLAR
3	3PRT5611-01P	MOUNTING BRACKET - PASSENGER, B-PILLAR
4	3PRT5611-02D	MOUNTING PLATE - DRIVER, PARTITION
5	3PRT5611-04P	MOUNTING PLATE - PASSENGER, PARTITION
6	3SP5611-02D	SEAT PROTECTOR - DRIVER, SPLIT
7	3SP5611-02PSSP	SEAT PROTECTOR - PASSENGER, TOE KICK
8	3RP5611-02	RECESSED PANEL, SPACE SAVER PLUS
9	20 3X36	1/4-20 X 5/8" CARRIAGE BOLT
10	21 3X16Z	1/4-20 WHIZ NUT LARGE
11	6 3X149	5/16-18 X 3/4" BSHCS, BLK
12	10 3X162	#14 X 3/4" SLF DRL, HEX HD
13	25 3X145	NUT CAP, BLACK, PLASTIC
14	1 3X184	1/4-20 X 3/4" BSHCS, BLACK
15	1 3X61	1/4-20 X 3/4" CARRIAGE BOLT



TRIM PANEL TEMPLATE FOR  
 PARTITION INSTALL ON  
 2011 DODGE CHARGER  
 DRIVER SIDE



CENTER PUNCH 3 HOLE LOCATIONS  
 THRU TEMPLATE & DRILL/CUT 1"  
 DIA. HOLE



CUT OUT  
 NOTCH TO  
 HELP ALIGN



ALIGN DASHED LINE WITH  
 SEAM ON TRIM PANEL

ALIGN INTERSECTION WITH  
 CORNER OF TRIM & SEAM  
 ON TRIM PANEL, BOTH SIDES \*

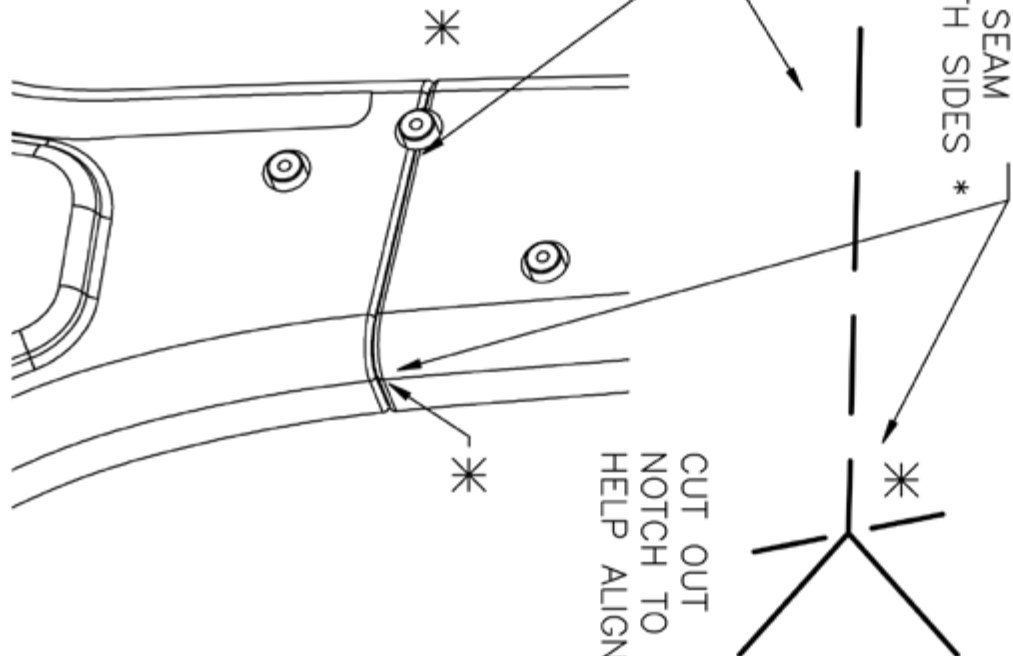


CHECK SCALE

SELECT "NONE" FOR PAGE  
 SCALING WHEN PRINTING  
 FROM .pdf FILE



CUT OUT  
 NOTCH TO  
 HELP ALIGN



# TRIM PANEL TEMPLATE FOR PARTITION INSTALL ON 2011 DODGE CHARGER PASSENGER SIDE



CENTER PUNCH 3 HOLE LOCATIONS  
THRU TEMPLATE & DRILL/CUT 1"  
DIA. HOLE

