

# **INSTALLATION GUIDE**

**STANDARD PARTITION**

**PRPSP59XXRT13A**

**2013 - CURRENT**

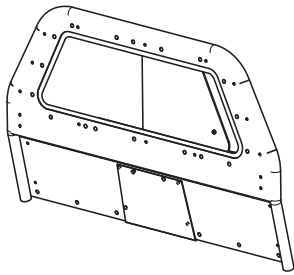
**DODGE RAM 1500**

**Pro-gard**<sup>™</sup>  
PRODUCTS LLC.

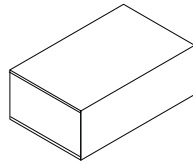
**STRONG | RELIABLE | SECURE**

**pro-gard.com**  
**800.480.6680**

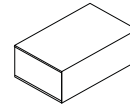
THESE COMPONENTS ARE REQUIRED  
TO INSTALL THE PRO-GARD PARTITION SYSTEM



STANDARD PARTITION  
3P8101-RT



HARDWARE KIT  
4P59XXRT13



WING KIT  
W5913A

I. Refer to the diagram on the last page of these instructions to verify all parts were received.

II. The following tools will be required to complete the installation.

- A. 1/4" drive ratchet with 7/16" socket
- B. 3/16" Allen key
- C. 1" Hole saw
- D. Drill with 3/8" Socket

III. Read all instructions carefully before starting the assembly process.

**NOTE:** *Locate all Wiring before drilling holes or installing Fasteners.*

IV. B-Pillar Bracket Installation

A. Remove B-pillar trim on the Passenger-side [1]. This will be reinstalled after bracket installation. Note: To remove trim panel, first remove front door cowl trim panel and rear door scuff trim panel. Then pull out on the trim panel to remove.

B. Pull the seat belt out of the way [2] and remove wire loom hold-down fastener from B-pillar so wire loom can be moved aside.

C. Place the Passenger B-pillar bracket (3PRT5913-01P) against the B-pillar face (See Fig. 1). Orient the B-pillar bracket so the bottom tab comes in contact with the seat belt bracket shown in Fig. 2 located behind the seat belt [3]. The formed edges will wrap around the B-pillar. Using the supplied Self-Drilling screws (3X162) secure part 3PRT5913-01P to the B-pillar [4]. The seat belt should now be between the trim panel and the installed bracket. Verify it operates smoothly before re-installing trim panel.

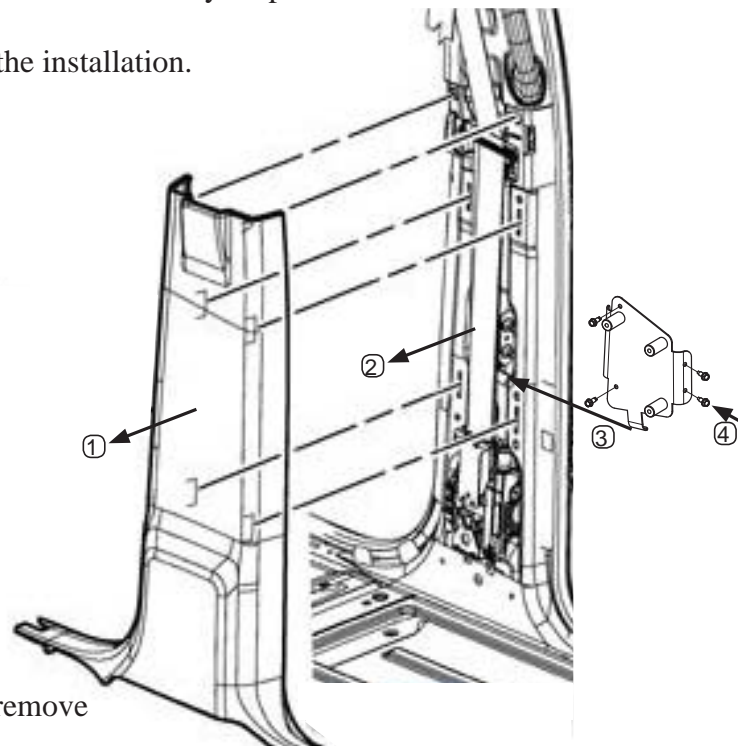


FIG. 1  
PASSENGER SIDE SHOWN  
VEHICLE B-PILLAR

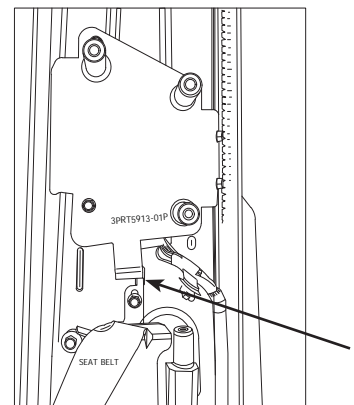


FIG. 2  
PASSENGER SIDE SHOWN  
VEHICLE B-PILLAR LOCATION

D. Using the Driver B-pillar bracket (3PRT5913-01D) repeat process on Driver-side of the vehicle.

V. Drilling B-pillar Trim Panels

A. Remove the sound insulation located inside the Driver-side trim panel, carefully align the template per their included instructions. Using a 1" Hole Saw drill the clearance holes as marked on the template. Replacement of sound insulation is optional.

B. Replace the trim panel, insuring that the standoff's protrude through the panel.

C. Repeat process on the Passenger-side trim panel.

FIG. 2  
PASSENGER SIDE SHOWN

VI. Installing Partition Mounting Plates

A. Attach the Passenger-side Mounting Plate (3P5913-02P) using the supplied 5/16-18 x 3/4" Button head screws (3X149) to the standoff's protruding through the B-pillar trim (See Fig. 2). Hand tighten only.

B. Attach the Driver-side Mounting Plate (3P5913-02D) using the supplied 5/16-18 x 3/4" Button head screws (3X149) to the standoff's protruding through the B-pillar trim (See Fig. 2). Hand tighten only.

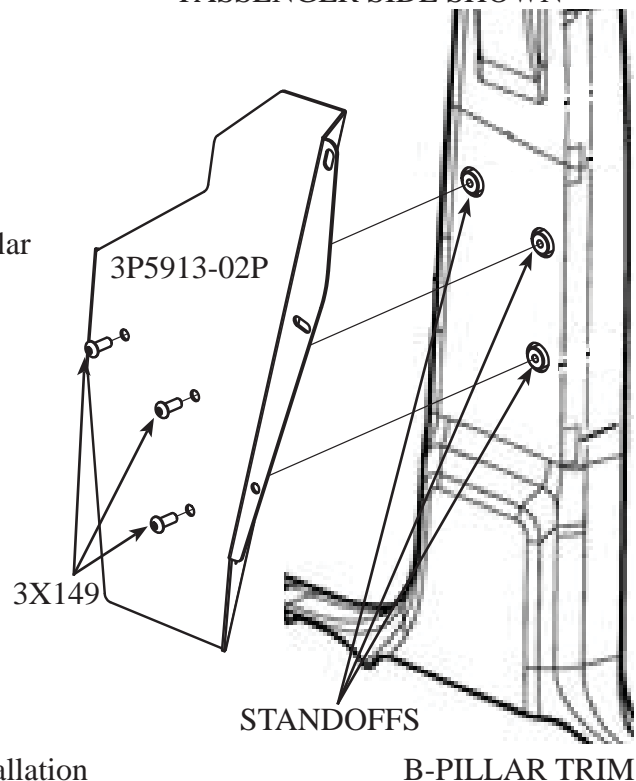
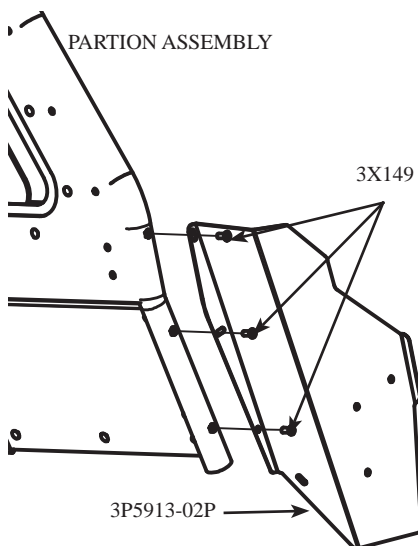


FIG. 3  
PASSENGER SIDE SHOWN



VII. Partition Installation

A. Due to the weight and size of the partition, assistance from another party is highly recommended. Insert the partition into the vehicle, lift and position the partition so that it aligns with the Partition Mounting Plates, using the supplied 5/16-18 x 3/4" Button head screw (3X149) secure the Partition to the Mounting Plates (See Fig. 3). Hand tighten only.

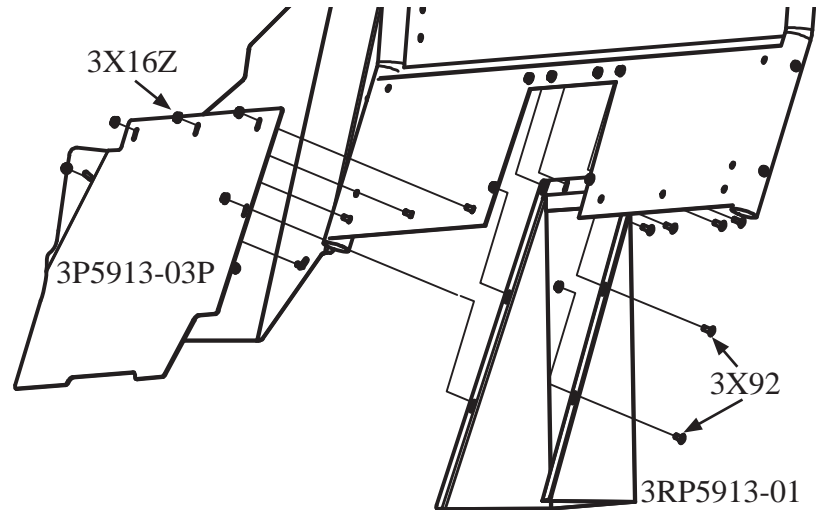
B. Audit the overall installation for fit and function of all components. Once satisfied, insure all fasteners are tight.

## IX. Optional Lower Extension Panel Installation

- A. If installing optional lower extension panels (seat protectors) and recessed panel continue to step B below. If not, continue to step X.
- B. Starting with the passenger side lower extension panel, part number 3SP5913-03P, orient the panel so the small bend at the corner of the panel is at the top and towards the outside of the vehicle. Install the lower extension panel from the front side of the partition (see Fig. 4).

Secure the panel to the partition using three 1/4-20 x 1/2" Carriage Bolts (3X92) and three 1/4-20 whiz nuts (3X16Z). Insert the bolts through the top three holes in the panel and hand tighten only. Now Using a 1/4-20 x 5/8" Carriage bolt (3X36), insert through slot in bottom of B-Pillar mount sheet metal (3P5913-02P) and then through the slot in the bent portion of the lower extension panel (3SP5913-03P) and secure using a 1/4-20 whiz nut (3X16Z). It may be necessary to move the panel slightly to align the slots.

**FIG. 4**  
**SEAT PROTECTOR AND**  
**RECESSED PANEL ASSEMBLY**

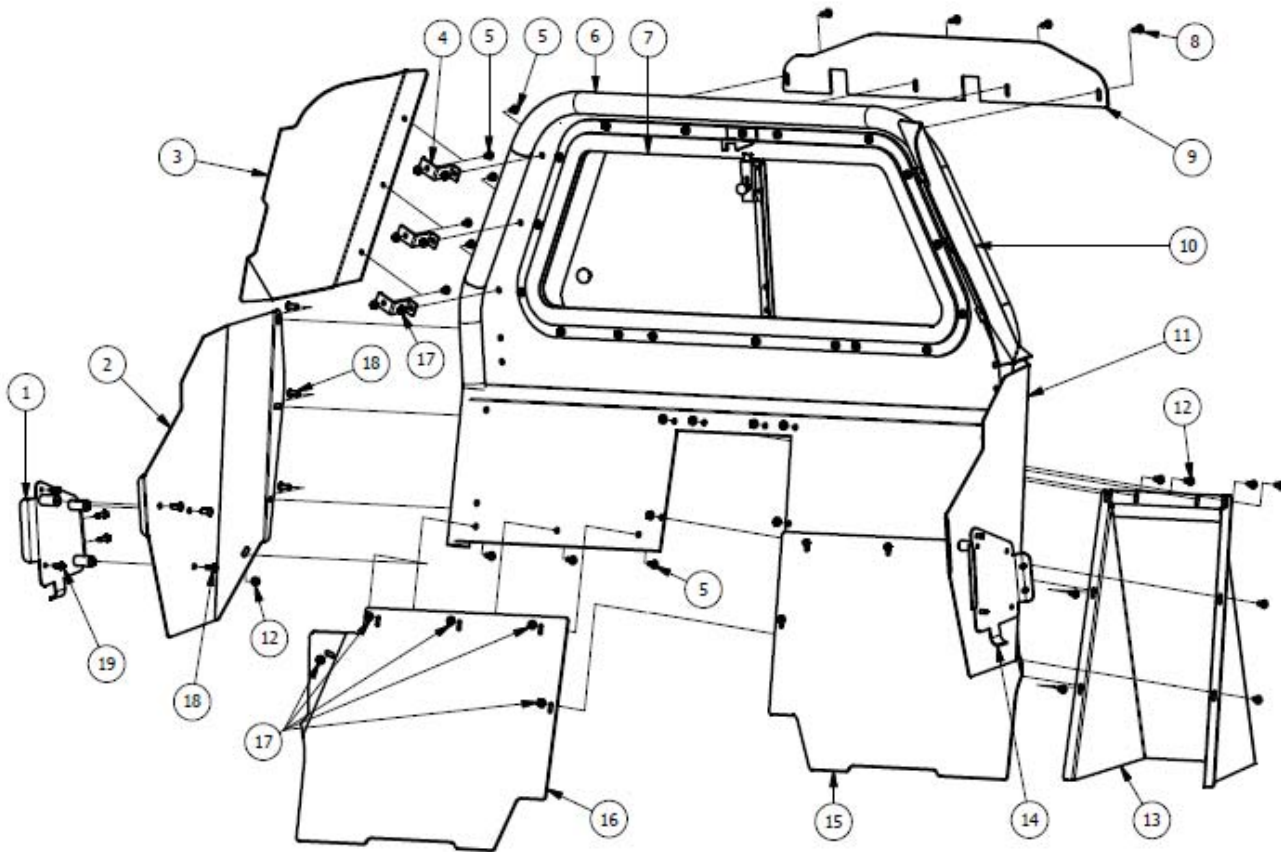


- C. Continue installation of the driver side lower extension panel (3SP5913-02D). Installation is the same as the above passenger side panel.
- D. Now the recessed panel (3RP5913-01) may be installed. First, remove the filler panel on the bottom of the partition at the middle. Save the fasteners as they will be reused. Now place the recessed panel against the back side of the partition (See Fig. 4) and align the slots with the holes on the partition. Now insert the saved 1/4-20 x 1/2" carriage bolts (3X92) through the recessed panel and then the partition and secure using the saved 1/4-20 whiz nuts (3X16Z). Using two 1/4-20 x 1/2" carriage bolts (3X92), from the lower extension panel hardware kit, insert them through the recessed panel and then through the lower extension panels and secure using 1/4-20 whiz nuts (3X16Z).

## X. Air Bag wing Installation

- A. The Filler Wings and their mounting hardware are packed in separate box marked Wing Kit. Install the Filler Wings according to their included Install Instructions.

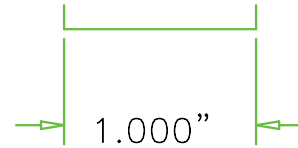
## XI. Installation is now complete.



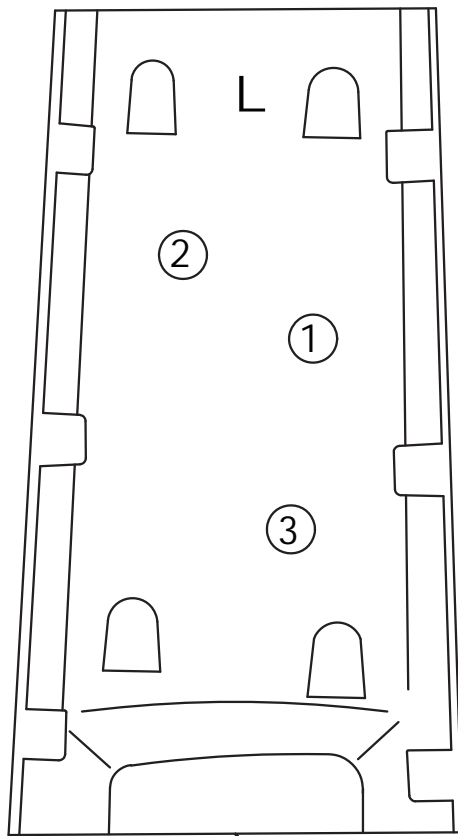
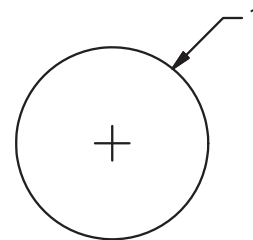
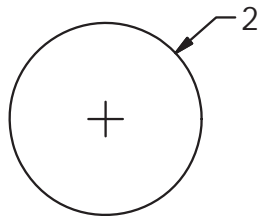
PARTS LIST			
ITEM	QTY	PART NUMBER	DESCRIPTION
1	1	3PRT59L3-01P	B-PILLAR BRACKET, PASSENGER SIDE
2	1	3P5913-02P	B-PILLAR MOUNT SHEET METAL, PASSENGER SIDE
3	1	3W5913P-A	FILLER WING, PASSENGER, AIRBAG COMPATIBLE
4	6	3P928	MOUNTING BRACKET, A,B WING (Z-BRACKET)
5	20	3X92	1/4-20 X 1/2 CARRIAGE BOLT
6	1	3P8101-RT	UNIVERSAL TRUCK PARTITION FOR DODGE RAM
7	1	5PSXXX	OPTIONAL WINDOW CONFIGURATION (VARIES BY ORDER)
8	4	3X61	1/4-20 X 3/4 CARRIAGE BOLT
9	1	3W5913-02	TOP FILLER WING, HEADLINER, BOLTS TO BACK OF PARTITION
10	1	3W5913D-A	FILLER WING, DRIVER, AIRBAG COMPATIBLE
11	1	3P5913-02D	B-PILLAR MOUNT SHEET METAL, DRIVER SIDE
12	2	3X36	1/4-20 X 5/8 CARRIAGE BOLT (6 ARE USED FROM PARTITION CENTER COVER PANEL)
13	1	3RP5913-01	RECESSED PANEL
14	1	3PRT5913-01D	B-PILLAR BRACKET, DRIVER SIDE
15	1	3SP5913-03D	LOWER EXTENSION PANEL (SEAT PROTECTOR), DRIVER SIDE
16	1	3SP5913-03	LOWER EXTENSION PANEL (SEAT PROTECTOR), PASSENGER
17	23	3X16Z	1/4-20 WHIZ NUT
18	12	3X149	5/16-18 X 3/4 BSHCS, BK
19	8	3X162	#14 x 3/4" SELF DRILLING HEX HEAD SCREW

# TRIM PANEL TEMPLATE FOR PARTITION INSTALL ON 2013+ DODGE RAM DRIVER SIDE

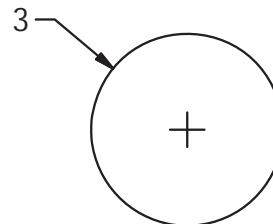
CHECK SCALE



SELECT "NONE" FOR PAGE  
SCALING WHEN PRINTING  
FROM .pdf FILE



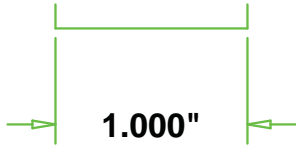
- A. CUT OUT CROSS HATCHED AREAS AND ALONG DASHED LINES
- B. LINE UP CUT OUTS WITH TABS ON TRIM PANEL
- C. CENTER PUNCH THREE HOLE LOCATIONS THRU TEMPLATE & DRILL/CUT 1" DIA HOLE



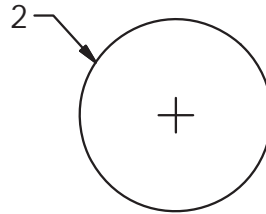
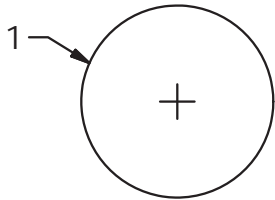
View from rear  
of B-Pillar Trim

# TRIM PANEL TEMPLATE FOR PARTITION INSTALL ON 2013+ DODGE RAM PASSENGER SIDE

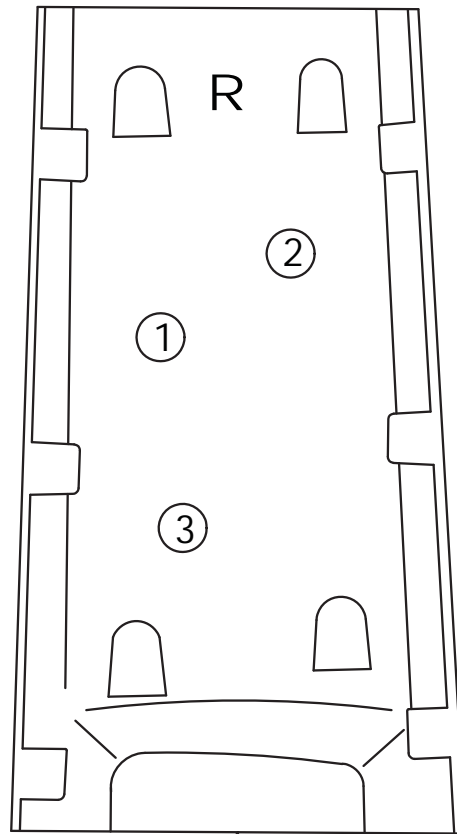
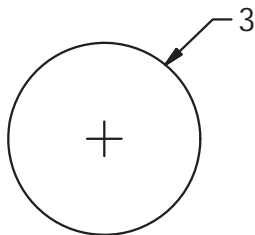
CHECK SCALE



SELECT "NONE" FOR PAGE  
SCALING WHEN PRINTING  
FROM .pdf FILE



- A. CUT OUT CROSS HATCHED  
AREAS AND ALONG DASHED LINES
- B. LINE UP CUT OUTS WITH  
TABS ON TRIM PANEL
- C. CENTER PUNCH THREE HOLE  
LOCATIONS THRU TEMPLATE &  
DRILL/CUT 1" DIA HOLE



View from rear  
of B-Pillar Trim