

INSTALLATION GUIDE

PUSH BUMPER

PB59RT13HD

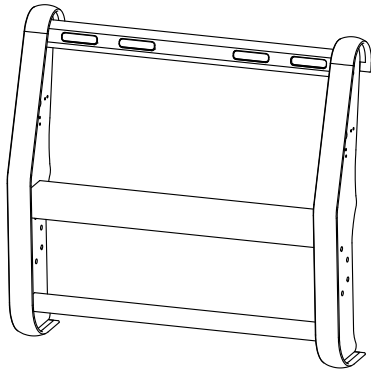
2016 RAM 1500

Pro-gard[™]
PRODUCTS LLC.

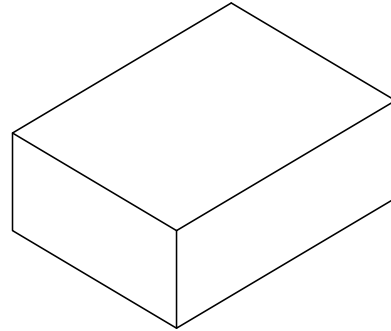
STRONG | RELIABLE | SECURE

pro-gard.com
800.480.6680

THESE COMPONENTS ARE REQUIRED
TO INSTALL THE PRO-GARD PUSH BUMPER SYSTEM



4PBTHD



4PBK5916HD
MOUNTING KIT

I. Refer to the diagram on the last page of these instructions to verify all parts were received.

II. Tools Required:

- A. 15mm socket wrench (1/2" drive preferred)
- B. 3/4" combination wrench and socket wrench (1/2" drive preferred)
- C. 9/16" wrench or socket

III. Read all instructions carefully before beginning the installation process.

IV. Removal of OEM Front Tow Hooks.

- A. Locate and remove the OEM front tow hooks from the front of each frame rail by removing two bolts from below on each side.

V. Installing the push bumper mounting brackets.

- A. Orient the Mounting Brackets near the front of the vehicle as shown on the last page.
- B. Place the Mounting Bracket against the bottom of the corresponding frame rail and attach using the bolt (3X250), washer (3X121) and nut (3X195). Leave bolts loose for alignment with the front section of the Push Bumper system.
- C. Using the existing OEM hole locations attach the mid-section of the bracket to the frame using the bolt (3X212), washer (3X175) and nut (3X176).
- D. Repeat for other side

VI. Push Bumper Installation

- A. Carefully align the four holes located on each side of the lower portion of the push bumper (4PBTHD) with both mounting brackets (3PBK5916-01P & D). Secure the push bumper to the brackets using the provided 3X174 bolts, 3X175 lock washers, and 3X176 nuts. (Refer to page 4)
- B. Tighten all fasteners and ensure push bumper is securely mounted to the vehicle.

VII. Installation Complete

PARTS LIST			
ITEM	QTY	PART NUMBER	DESCRIPTION
1	1	4PBTHD	TRUCK PUSH BUMPER
2	1	3PBK5916-01P	RAM 1500, PASSENGER SIDE PUSH BUMPER BRACKET
3	1	3PBK5916-01D	RAM 1500, DRIVER SIDE PUSH BUMPER BRACKET
4	8	3X174	1/2-13 x 1" HHCS, GR8, Blk Zn/C
5	12	3X175	1/2" WSHR Split Lock, Blk Zn/C
6	12	3X176	1/2-13 NUT, GR8, Blk Zn/C
7	2	3X250	3/8-16 X 4.75" GR8 STEEL CAP BOLT
8	2	3X195	3/8-16 Nut, GR8, Blk Zn/C
9	2	3X121	3/8 FLAT WSHR, YZ
10	4	3X212	1/2-13 x 1-1/2" HHCS, GR8, Blk Zn/C

