

INSTALLATION GUIDE

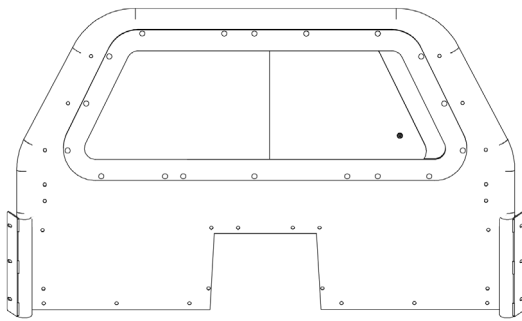
**2015 - 2020 CHEVY TAHOE
PARTITION
P57T15**

Pro-gard[™]
PRODUCTS LLC.

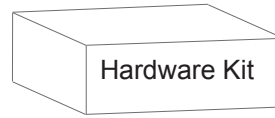
STRONG | RELIABLE | SECURE

**pro-gard.com
800.480.6680**

THESE COMPONENTS ARE REQUIRED
TO INSTALL THE PARTITION



4P57XXT15



4PK5715



4WK5715TA

I. The following tools will be required to complete the installation.

- A. 7/16" Socket & Ratchet
- B. 7/16" Open ended Wrench
- C. 3/16" Allen Wrench
- D. 3/8" Socket & Ratchet
- E. 3/16" Drill Bit
- F. 1" Hole Saw & Drill Bit

II. Read all instructions carefully and refer to pages 5 & 6 to ensure all parts were received.

Locate All wiring, fuel lines, brake lines, coolant lines, or refridgerant lines before drilling any holes or installing any self-drilling fasteners.

WARNING:

III. Preparing the B-Pillar.

- A. Locate and remove the lower part of the b-pillar trim to access the sheet metal body. After the trim is removed put the 3PK5715-01D & 3PK5715-01P b-pillar brackets in location and mark the 4 holes to drill a pilot (with 3/16" drill bit) for the self tapping screws (3X162). The b-pillar bracket is located when the tab is all the way down on the slot as shown in fig. 1. Secure the b-pillar brackets to the driver & passenger sides of the vehicle with the self-tapping screws.
- B. Use the supplied b-pillar templates on the last 2 pages to mark the three holes in the lower b-pillar trims and drill out the 1" holes so the standoffs can fit through and re-install the trim.

Use tab to place b-pillar bracket in location

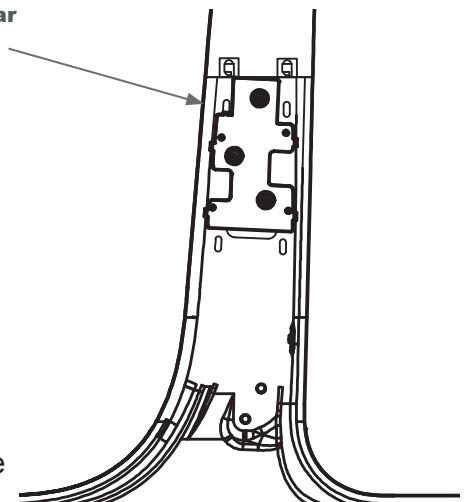


Fig. 1

IV. Partition Installation.

- A. When b-pillar bracket installation is completed and the trim is reinstalled, then the lower sheet metal side panels (3PK5715-02D & 3PK5715-02P) can be installed.
- B. Use three (3X149) screws to bolt the driver and passenger side panels into place leaving bolts loose until the partition is installed. (See fig. 2)
- C. At this point the partition can be installed into the vehicle. We recommend that two people lift and install the partition in place. Carefully lift the partition with another person thru the second row doors. When the partition is in the second row seat area then lift the bottom of the partition and place it on the front side of the sheet metal panels. Install the three (3X36) bolts and (3x16Z) whiz nuts on the side tabs of the partition to hold it in place. (See fig. 3)
- D. Have one person hold the partition tight to the ceiling of the vehicle while the other person tightens all the loose mounting screws on the panels. Be sure the roll bar fits tight inside the sheet metal panels with no gaps. (See fig. 4)

Install the lower sheet metal panels to b-pillar brackets

Must use front holes with seat protectors

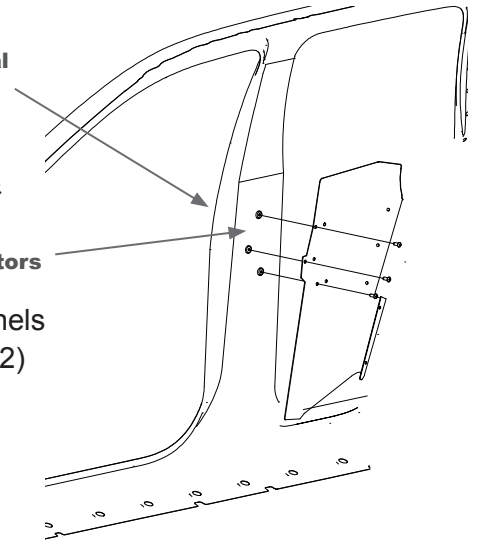


fig. 2

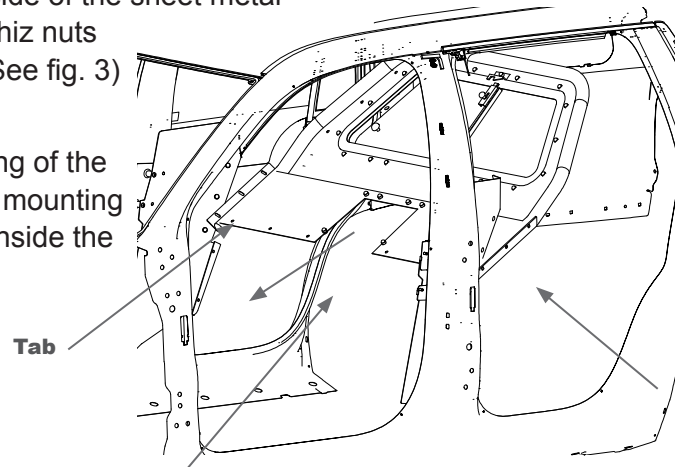


fig. 3

Slide partition to front of side panels

Hold partition tight to ceiling while tightening bolts

Ensure the roll bar and sheet metal are tight in these areas!

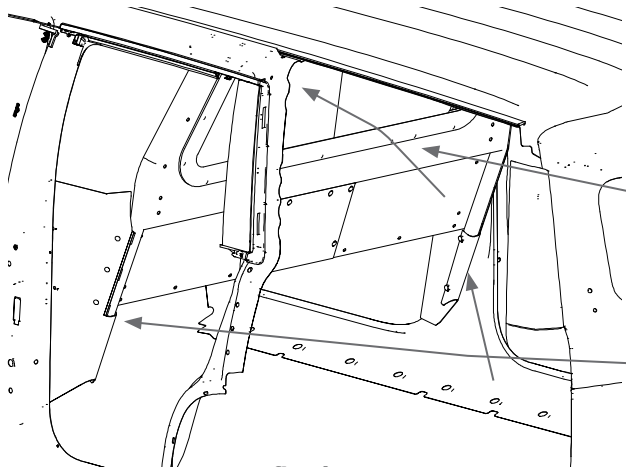


fig. 4

V. Seat Protector & Recess Panel Installation

- A. If you are installing the full width seat protector (3SP57FWT15) option then open and place the seat protector through the front door with the front seats moved out of the way. The seat protector needs to be installed towards the front side of the partition. Carefully get it into place and line up the bolt holes on the side tab first. Place (3X36) bolts and (3X16Z) whiz nuts through the side tabs of the seat protector and hand tighten. Once the side bolts are started then install all other bolts. Tighten the side bolts first with an opened ended 7/16 wrench then tighten all other bolts with a 7/16 socket. (See fig. 5)

Place seat protector in location from the front of the vehicle. Install and start side bolts first. Next install all other bolts second. Tighten all bolts down to lock panel in place.

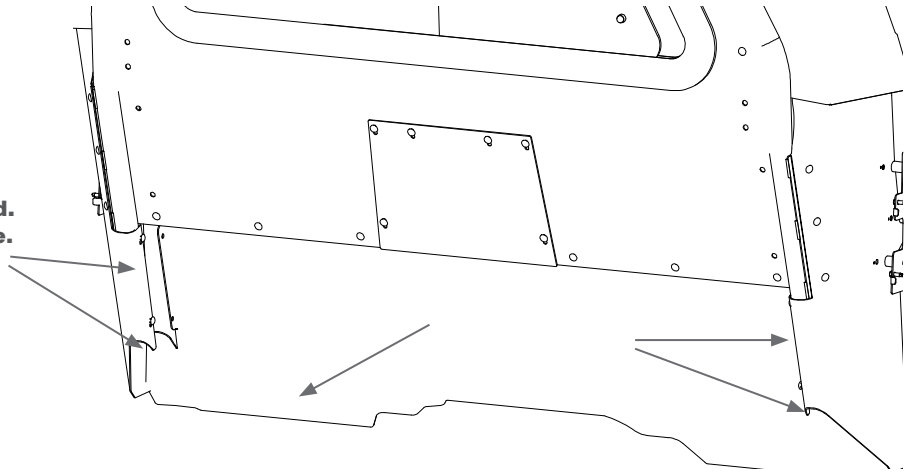


fig. 5

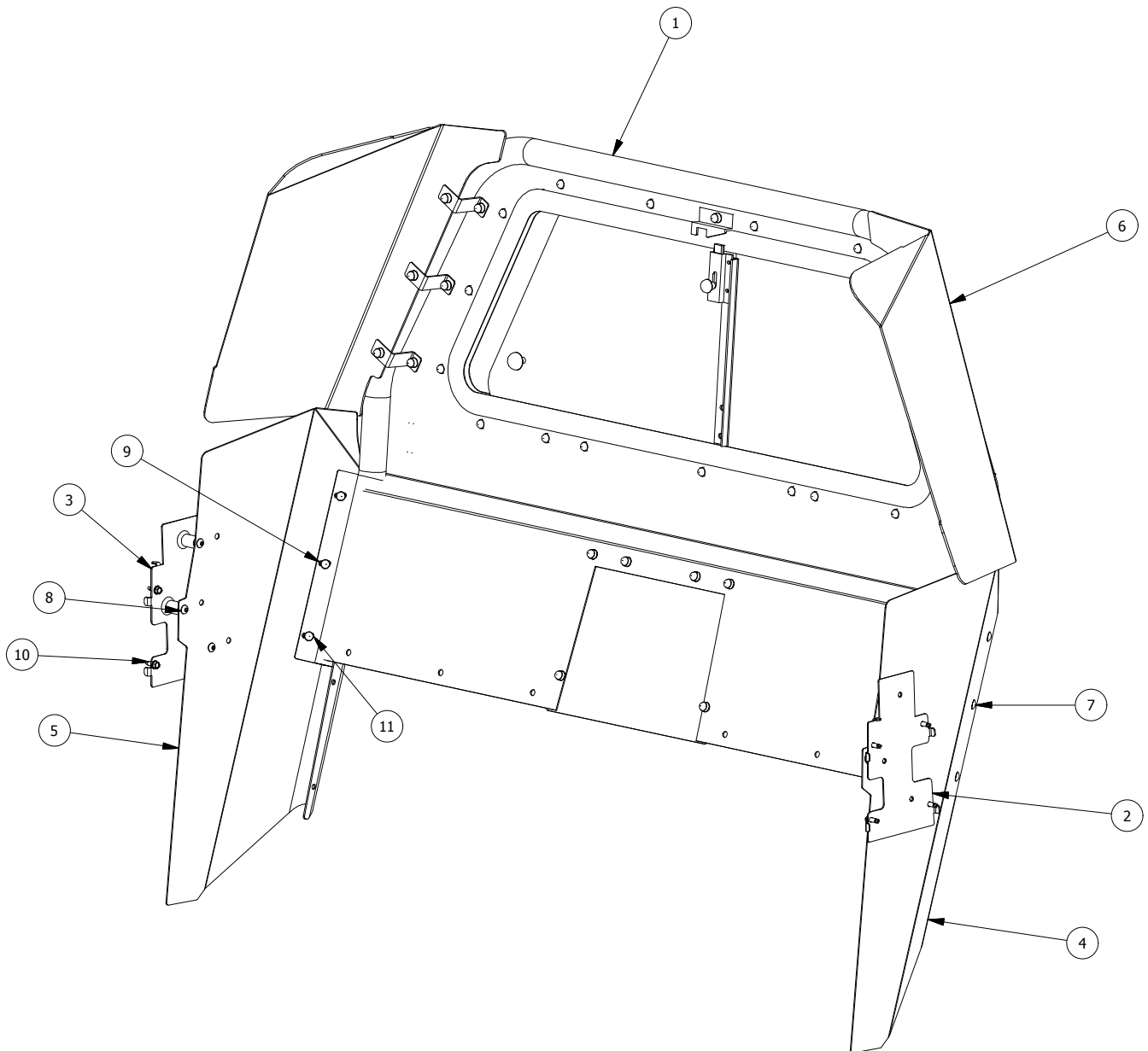
- B. To install the recess panel (3RP5715) and bucket seat protectors (3SP57BST15 - D & P) put both seat protectors towards the front side of the partition. Line up the holes in the side tabs first and put the 3X36 bolts and 3X16Z whiz nuts through the holes and hand tighten. (See diagram on page 6)
- C. Put the recess panel in place and get two bolts and nuts started at the top of the recess panel and partition. Hand tighten all other bolts and whiz nuts on the bucket seat protectors and recess panel. Tighten all bolts securely to finish installation. (See diagram on page 6)

Installation complete!

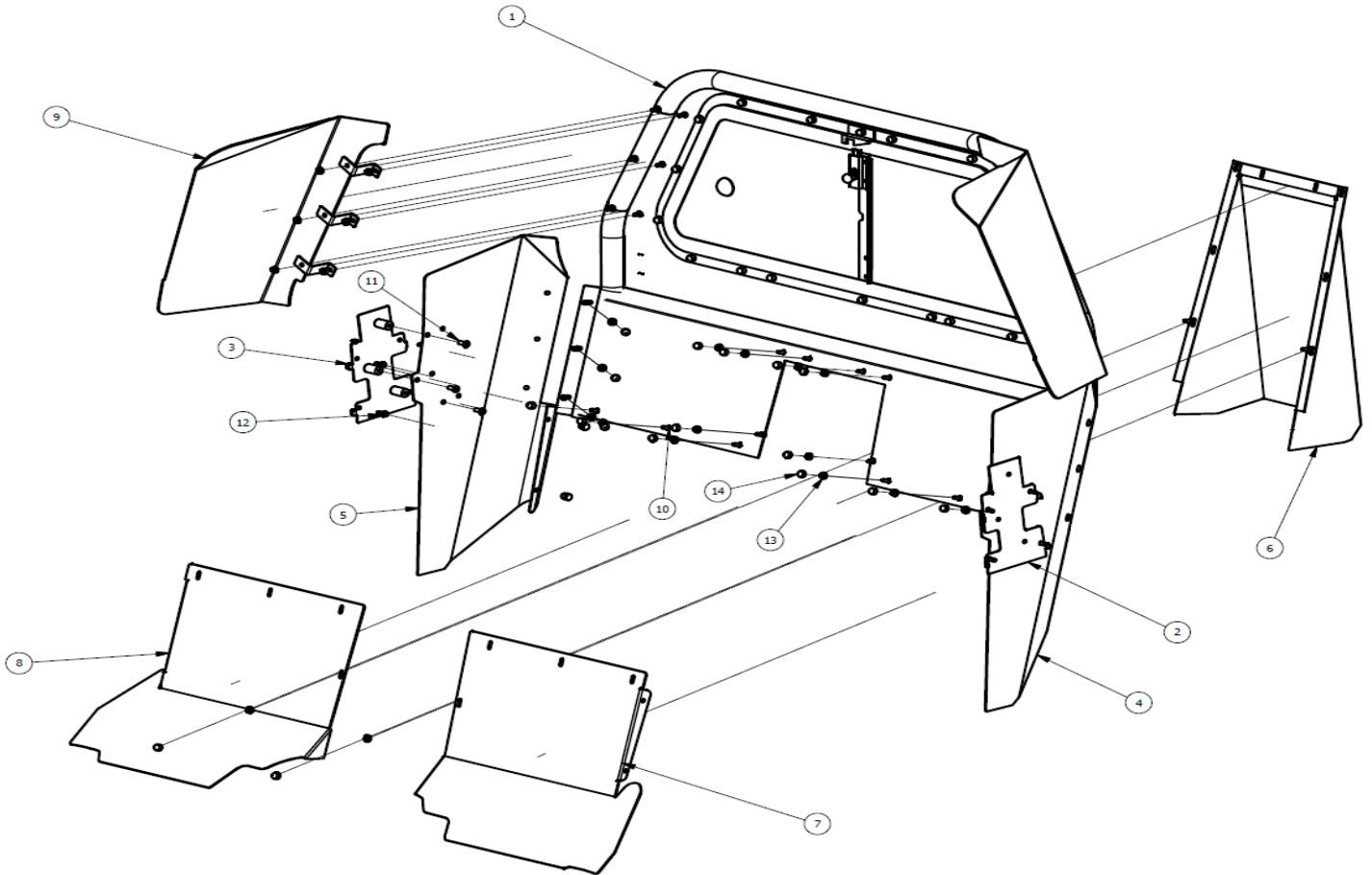
If you have any problems with this installation then call the toll free number (800-480-6680) and ask for technical assistance.

Standard Partition With Wings

PARTS LIST			
ITEM	QTY	PART NUMBER	DESCRIPTION
1	1	3P8103	2015 TAHOE PARTITION
2	1	3PK5715-01D	B-PILLAR BRACKETS
3	1	3PK5715-01P	B-PILLAR BRACKET
4	1	3PK5715-02D	LOWER SHEET METAL PANEL
5	1	3PK5715-02P	LOWER SHEET METAL PANEL
6	1	4WK5715TA	WING KIT
7	6	3X36	1/4-20 X 5/8 CARRIAGE BOLT
8	6	3X149	5/16-18 X 3/4 BSHCS, BK
9	6	3X16Z	1/4-20 WHIZ NUT
10	8	3X162	#14 x 3/4" SELF DRILLING HEX HEAD SCREW
11	30	3X145	BLACK PASTIC CAP



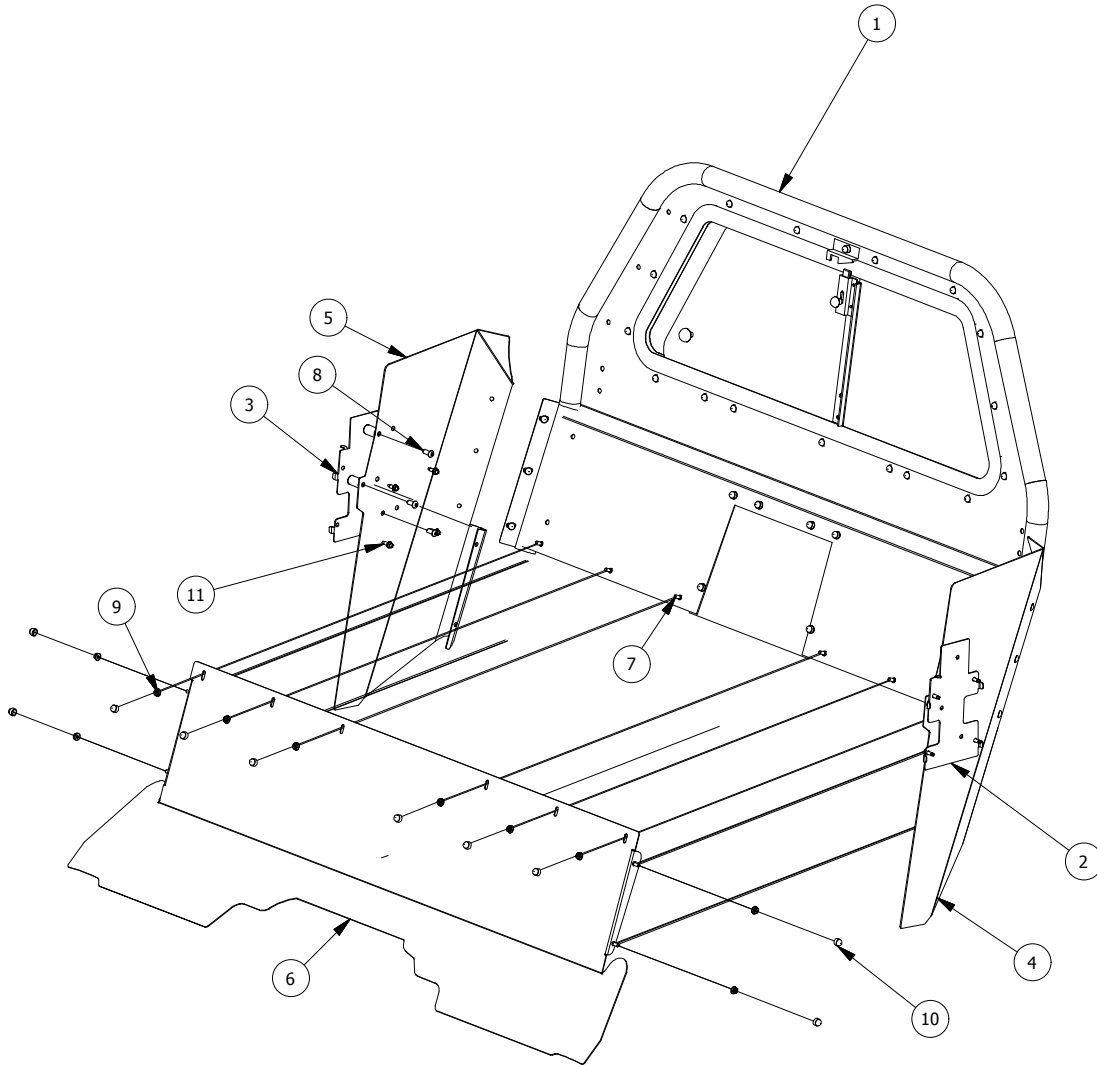
Partition with recess panel & wings



PARTS LIST			
ITEM	QTY	PART NUMBER	DESCRIPTION
1	1	3P8103	2015 TAHOE PARTITION
2	1	3PK5715-01D	B-PILLAR BRACKETS
3	1	3PK5715-01P	B-PILLAR BRACKET
4	1	3PK5715-02D	MOUNTING PLATE TAH 15
5	1	3PK5715-02P	MOUNTING PLATE TAH 15
6	1	3RP5715	RECESS PANEL
7	1	3SP57BST15-D	DRIVER BUCKET SEAT PROTECTOR
8	1	3SP5715-04P	PASSENGER BUCKET SEAT PROTECTOR
9	1	4WK5715TA	WING KIT
10	24	3X36	1/4-20 X 5/8 CARRIAGE BOLT
11	6	3X149	5/16-18 X 3/4 BSHCS, BK
12	8	3X162	#14 x 3/4" SELF DRILLING HEX HEAD SCREW
13	24	3X16Z	1/4-20 WHIZ NUT
14	24	3X145	BLACK PLASTIC CAP

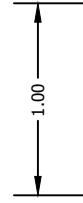
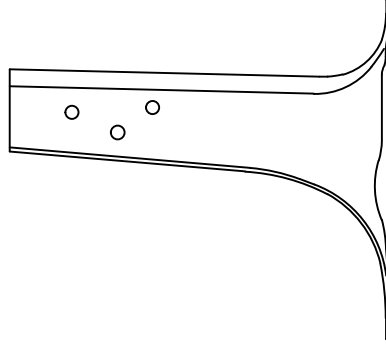
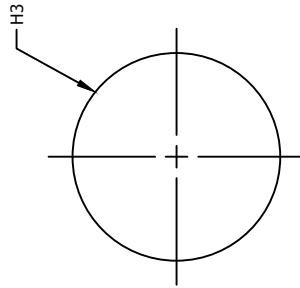
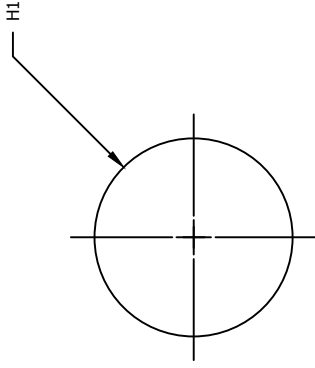
Partition with full width seat protector

PARTS LIST			
ITEM	QTY	PART NUMBER	DESCRIPTION
1	1	3P8103	2015 TAHOE PARTITION
2	1	3PK5715-01D	B-PILLAR BRACKETS
3	1	3PK5715-01P	B-PILLAR BRACKET
4	1	3PK5715-02D	LOWER SHEET METAL PANEL
5	1	3PK5715-02P	LOWER SHEET METAL PANEL
7	22	3X36	1/4-20 X 5/8 CARRIAGE BOLT
8	6	3X149	5/16-18 X 3/4 BSHCS, BK
9	22	3X16Z	1/4-20 WHIZ NUT
10	30	3X145	BLACK PASTIC CAP
11	8	3X162	#14 x 3/4" SELF DRILLING HEX HEAD SCREW



DIRECTIONS

1. CUT ALONG THE DASHED LINES
2. REMOVE THE B-PILLAR TRIM AND PLACE TEMPLATE INSIDE ALIGNING CUT OUT AREAS WITH THEIR CORRESPONDING FEATURES ON THE OEM TRIM PANEL
3. CENTER PUNCH 3 HOLE LOCATIONS THRU TEMPLATE & DRILL/CUT 1" DIA. HOLE
4. REINSTALL TRIM PANELS OVER TOP OF THE B-PILLAR BRACKETS

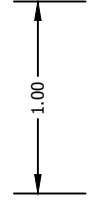
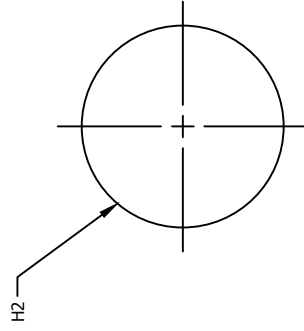
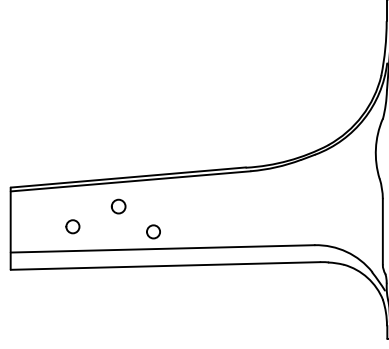
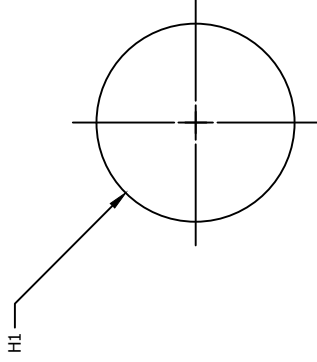


CHECK SCALE
SELECT NONE FOR PAGE SCALING
WHEN PRINTING FROM .pdf FILE

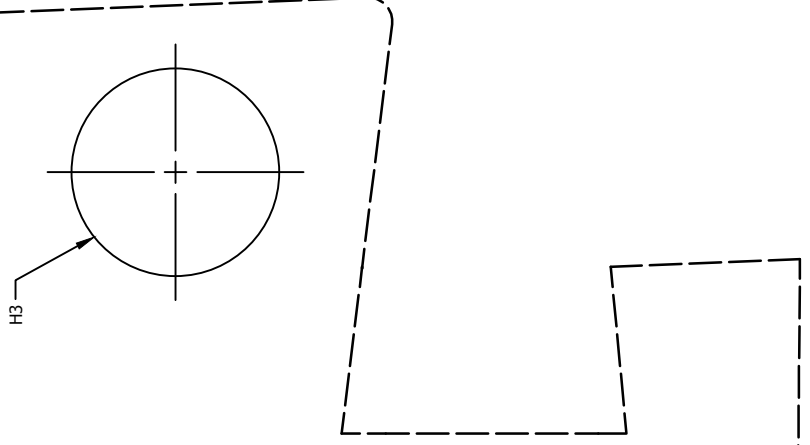
2015-CURRENT
CHEVROLET TAHOE PPV
B-PILLAR TRIM TEMPLATE PASSENGER

DIRECTIONS

1. CUT ALONG THE DASHED LINES
2. REMOVE THE B-PILLAR TRIM AND PLACE TEMPLATE INSIDE ALIGNING CUT OUT AREAS WITH THEIR CORRESPONDING FEATURES ON THE OEM TRIM PANEL
3. CENTER PUNCH 3 HOLE LOCATIONS THRU TEMPLATE & DRILL/CUT 1" DIA. HOLE
4. REINSTALL TRIM PANELS OVER TOP OF THE B-PILLAR BRACKETS



CHECK SCALE
SELECT NONE FOR PAGE SCALING
WHEN PRINTING FROM .pdf FILE



2015-CURRENT
CHEVROLET TAHOE PPV
B-PILLAR TRIM TEMPLATE DRIVER