

## **INSTALLATION GUIDE**

**P1826D18AOSB**

**P1826 PRO-CELL**

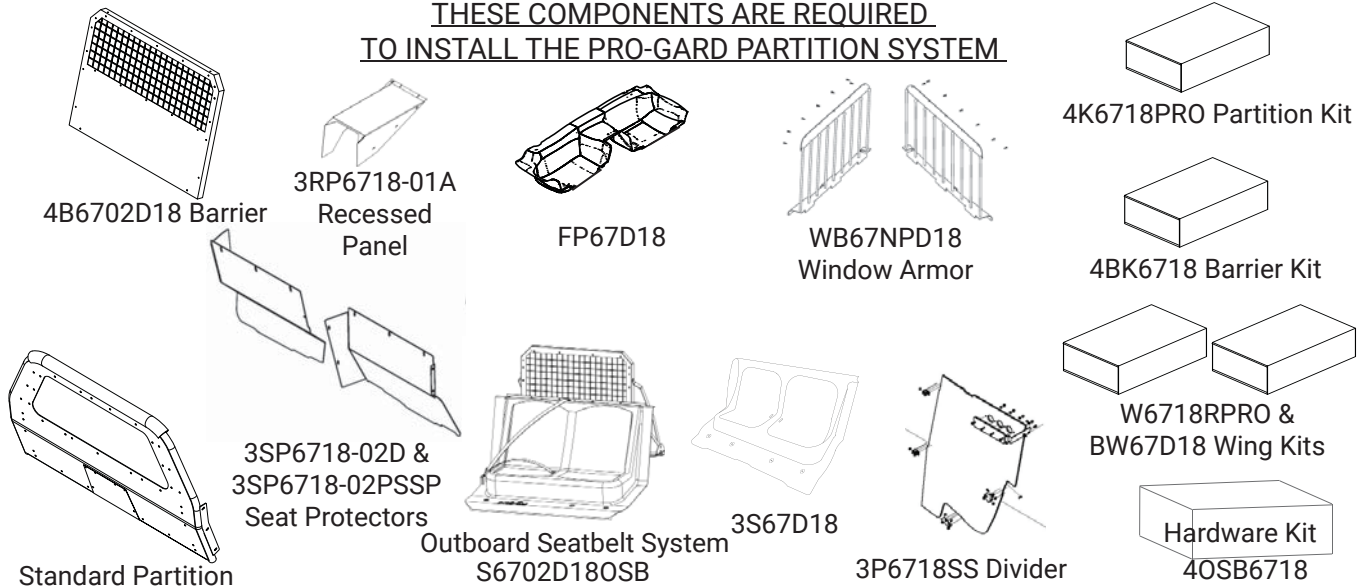
**2018+ DODGE DURANGO**

**Pro-gard**<sup>™</sup>  
PRODUCTS LLC.

**STRONG | RELIABLE | SECURE**

**pro-gard.com**  
**800.480.6680**

THESE COMPONENTS ARE REQUIRED  
TO INSTALL THE PRO-GARD PARTITION SYSTEM



I. Refer to the diagram on the last page of these instructions to verify all parts were received.

II. The following tools will be required to complete the installation.

- |  |                            |
|--|----------------------------|
| A. 1/4" drive ratchet with 7/16" socket                          | G. 3/16" Allen key         |
| B. 3/8" drive ratchet and 6" extension with 15mm and 18mm socket | H. 1" Hole saw             |
| C. Drill with 5/16" diameter bit                                 | I. Drill with 3/8" Socket  |
| D. Phillips Screw Driver   | J. 7/16" End Wrench        |
| E. 11/16", 9/16" and 3/4" sockets                                | K. 1/2" drill bit w/ drill |
| F. T-45 Torx Bit   | L. Saw                     |
|  | M. 5/32 Allen Wrench       |

III. Read all instructions carefully before starting the assembly process.

**NOTE:** Locate all wiring, fuel lines, brake lines, coolant lines and refrigerant lines before drilling holes or installing self-drilling fasteners.

**NOTE:** The Durango barrier, outboard seat belt system and partition must be installed prior to P1826 divider installation.

IV. **Install Partition (PSSP67XXD18A) per instructions**

V. **Install Cargo Barrier (4B6702D18) per instructions**

VI. **Install Outboard Seat Belt System (4OSB6718) per instructions**

A. Assemble up to belt installation.

VII. **Install Floor Pan (FP67D18) per instructions**

## VIII. Temporary Seat & Divider Install to Locate Seat Brackets

A. Install the seat using enough fasteners to sufficiently affix.

B. Fasten divider barrier bracket (3PK6718-25) at top of barrier as shown, by removing supplied bolt and replacing with longer kit bolt (3X05A). (Fig. 7)

C. Bring the divider in top first from the passenger side. Now slide the divider toward the center of vehicle and locating against the top divider barrier bracket, 3 partition tabs and center support bracket.

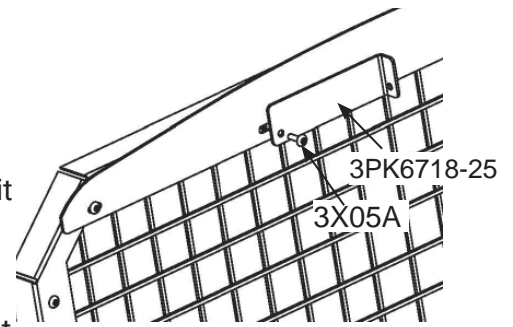


Fig. 1

D. Fasten divider to hold in place while marking divider bracket hole locations, using bolts (3X82) and whiz nuts (3X16Z).

F. Locate divider mounting brackets (3P214) with the two clearance notches at seat bottom and back with flange toward the passenger side and mark mounting hole locations on the seat.

G. Remove divider and seat and drill the marked hole locations on the seat.

H. Attach the (3P214) divider mounting brackets using (3X36) bolts and (3X16Z) whiz nuts. (Fig. 8)

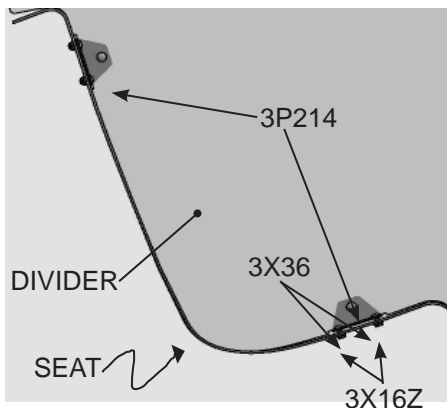


Fig. 2

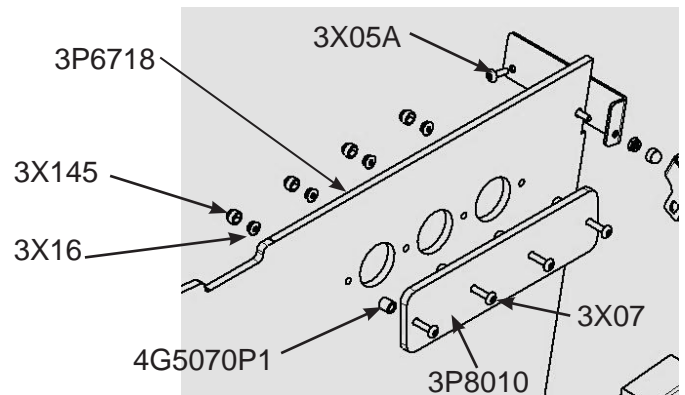


Fig. 3

## IX. Install Seat and Seat Belt

A. Following instructions for OSB Seat and Seat Belt (40SBK6718) as outlined in Step V.

## X. Install Center Divider

A. Assemble vent plate over three large diameter air holes. Use (4G5070P1) spacers between plate and center divider. Secure using the long, phillips head screws (3X07), black whiz nuts (3X16), and black caps (3X145). (Fig. 9)

**Installation Complete!**

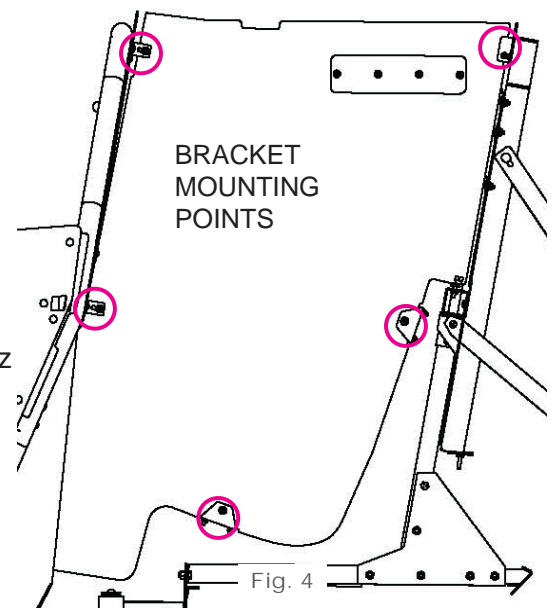


Fig. 4

| PARTS LIST |     |                 |                                 |
|------------|-----|-----------------|---------------------------------|
| ITEM       | QTY | PART NUMBER     | DESCRIPTION                     |
| 1          | 2   | 3G620           | BRACKET, ANGLE, BLACK           |
| 2          | 2   | 3P214           | BRACKET, MOUNTING               |
| 3          | 1   | 3P671BSS        | 1826 PRO-CELL DIVIDER DUR 18    |
| 4          | 1   | 3P8010          | DIVIDER VENT PLATE              |
| 5          | 1   | 3PK6718-25      | DIVIDER BARRIER BRACKET         |
| 6          | 1   | 3X05A           | 1/4-20 X 7/8 PHIL TRUSS HD MS   |
| 7          | 4   | 3X07            | 1/4-20 X 1-1/2 PHIL TRUSS HD MS |
| 8          | 4   | 3X145           | BLACK PLASTIC CAP               |
| 9          | 4   | 3X16            | 1/4-20 HEX WHIZ NUT - BLACK     |
| 10         | 13  | 3X16Z           | 1/4-20 LARGE HEX WHIZ NUT-ZINC  |
| 11         | 7   | 3X36            | 1/4-20 X 5/8 CARRIAGE BOLT      |
| 12         | 5   | 3X61            | 1/4-20 X 3/4 CARRIAGE BOLT      |
| 13         | 4   | 4G5070P1        | SPACER, DIVIDER VENT PLATE      |
| 14         | 1   | PSSP67XXD18A    | PARTITION AB DUR 18 SS PLUS     |
| 15         | 1   | S6705D18OSB_GWR | 2018 DURANGO BARRIER            |

