

INSTALLATION GUIDE

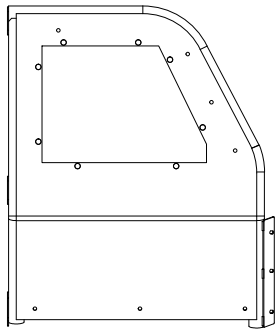
2015 - 2020 CHEVY TAHOE
P1000T15A PRO-CELL

Pro-gard[™]
PRODUCTS LLC.

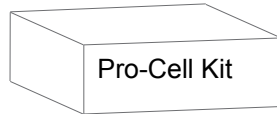
STRONG | RELIABLE | SECURE

pro-gard.com
800.480.6680

THESE COMPONENTS ARE REQUIRED
TO INSTALL THE PARTITION



4P1000T15 1/2 Cage Partition

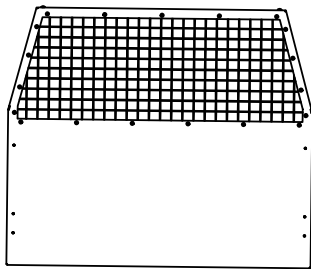
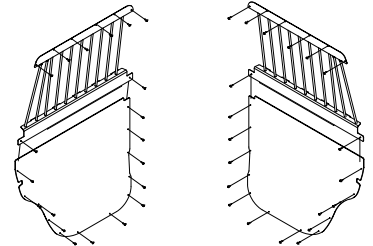


4PK1000T15

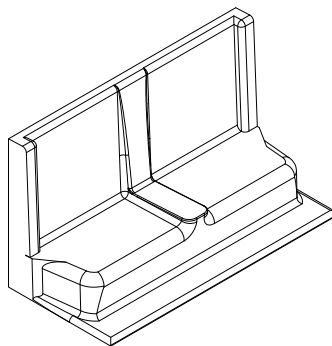


4WK1000T15A

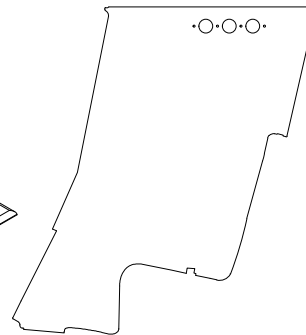
WBXXX57T15 Driver & Passenger Window Bars



4B57XXT15 Barrier



3S5715 Seat



3P5715 Divider

DP57T15 Driver & Passenger Door Panels



4BK5715



4S57T15

I. The following tools will be required to complete the installation.

- A. 7/16" Socket & Ratchet
- B. 7/16" Open ended Wrench
- C. 3/16" Allen Wrench
- D. 3/8" Socket & Ratchet
- E. 3/16" Drill Bit
- F. 1" Hole Saw & Drill Bit
- G. 5/16" Drill Bit

II. Read all instructions carefully and refer to pages 5 to ensure all parts were received.

WARNING: *Locate All wiring, fuel lines, brake lines, coolant lines, or refrigerant lines before drilling any holes or installing any self-drilling fasteners.*

III. Location of Instructions.

NOTE: *All instructions are located in the individual kit packaging. To locate barrier installation instructions, open the barrier kit package. To locate the seat installation instructions, open the seat kit package. If any instructions are not found, then please visit the www.pro-gard.com website to download a PDF instruction.*

Use tab to place b-pillar bracket in location

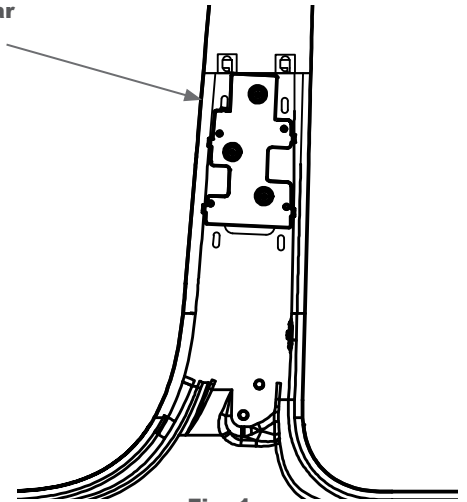


Fig. 1

IV. Preparing the B-Pillar.

- A. Locate and remove the lower part of the b-pillar trim to access the sheet metal body. After the trim is removed position the (3PK5715-01P) passenger side b-pillar bracket in location and mark the 4 holes to drill a pilot (with 3/16" drill bit) for the self tapping screws (3X162). The b-pillar bracket is located when the tab is all the way down on the slot as shown in fig. 1. Secure the b-pillar brackets to the passenger sides of the vehicle with the self-tapping screws.
- B. Use the supplied b-pillar template on the last page to mark the three holes in the lower b-pillar trim and drill out the 1" holes so the standoffs can fit through and re-install the trim.

V. Mounting Brackets.

- A. When b-pillar bracket installation is completed and the trim is re-installed, then the lower sheet metal side panel (3PK5715-02P) can be installed.
- B. Use three (3X149) screws to bolt the passenger side panel into place leaving bolts loose until the partition is installed. (See fig. 2)

Install the lower sheet metal panels to b-pillar brackets

Must use front holes with Pro-Cell unit

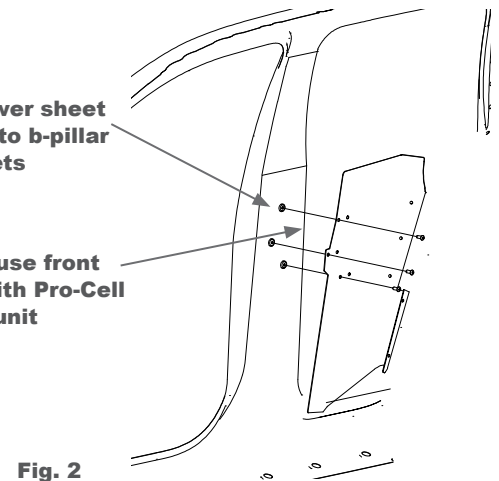
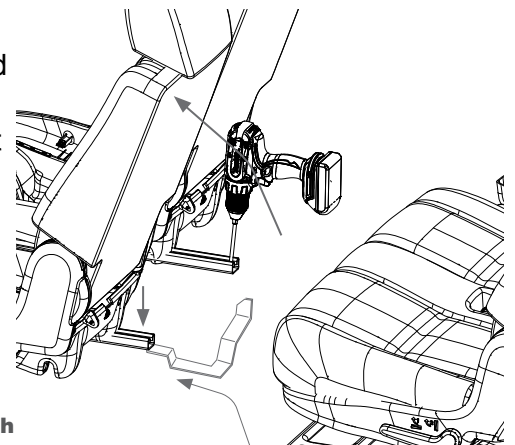


Fig. 2

- C. Move the driver's seat all the way forward and loosen the driver's seat mounting bolt as shown in fig. 3. (Removal of the passenger side bolt is not necessary!) Push and lift on backside of seat to slide the (3PK5715-10) center support bracket underneath the driver's seat track and reinsert OEM bolt to secure.
- D. Attach the Pro-Cell mounting bracket to the center support with (3X36) screw and (3X16Z) whiz nuts. (See fig. 4)

Fig. 3

Remove driver's seat bolt & slide bracket underneath



VI. Half Cage Installation (Requires Seat & Barrier installed before!)

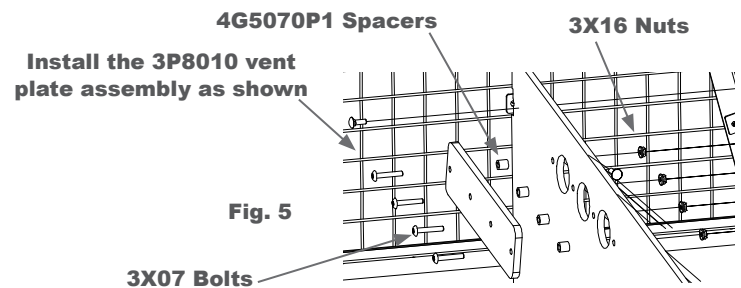
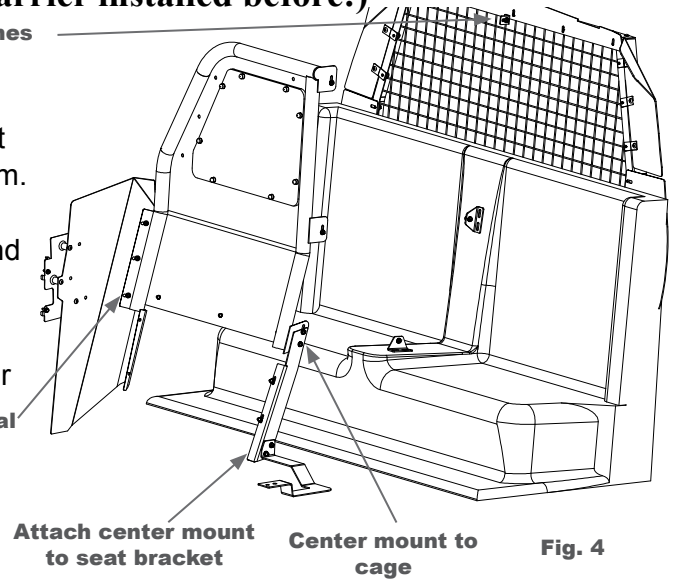
3G620 Upper bracket attaches to barrier as shown

A. At this point, the barrier and seat should be installed! The seat will need (3P214) divider mount brackets bolted as shown in main breakout diagram. Be sure to place the brackets offset so that the divider is in the center of the seat. Refer to seat and barrier kits for complete installation instructions.

B. Attach (3G620) upper divider bracket to the barrier as shown at the top of fig. 4.

B-Pillar sheet metal panel bolts

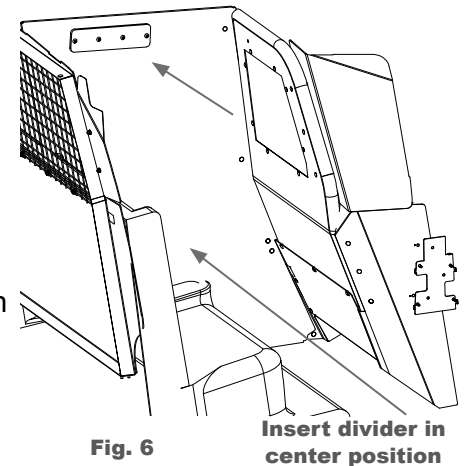
C. After the seat and barrier are installed, place the (4P1000T15) half cage partition in the vehicle and bolt (3X36) screws and (3X16Z) whiz nuts to b-pillar sheet metal panel on the passenger side and the center mounting bracket behind the console area. Make sure to lift the partition tight to ceiling while securing bolts.



VII. Divider Installation

A. Attach (3P8010) vent plate to the (3P5715) divider as shown in fig. 5 using the supplied spacers, bolts, and nuts.

B. Insert the (3P5715) divider through the passenger side door and place in position. Examine the alignment of the profile and adjust to fit. Hold the divider securely with no movement occurring while marking hole locations at the bracket mounting points. Drill 5/16" thru holes and insert (3X82) screws and (3X16Z) whiz nuts. Tighten all divider bolts to secure in position.



VIII. Seat Protector

A. Attach (3SP5715-05) seat protect from the backside of the partition. Align partition and center bracket holes and bolt together with (3X36) and (3X61) screws and (3X16Z) whiz nuts. (See diagram on pg. 5)

B. Place (3X145) black plastic caps on all exposed whiz nuts to finish installation.

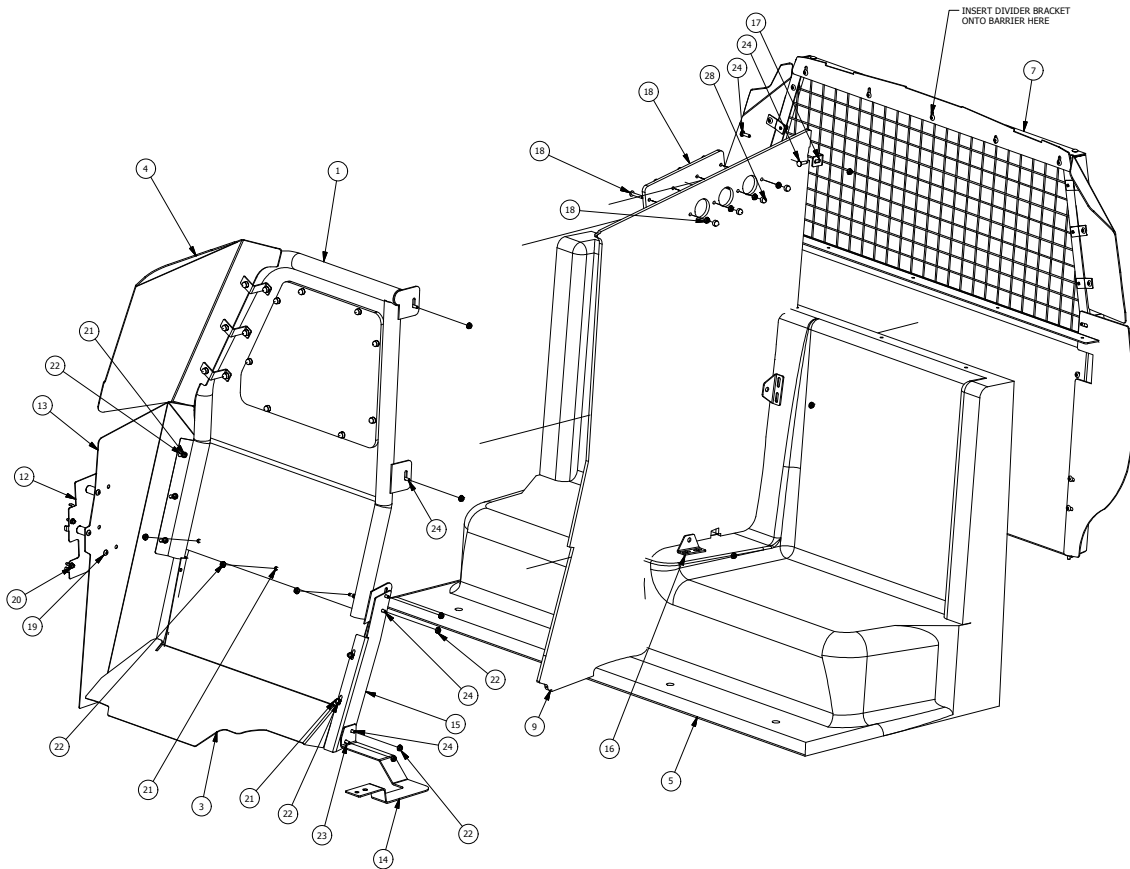
Installation complete!

If you have any problems with this installation then call the toll free number (800-480-6680) and ask for technical assistance.

P1000 Pro-Cell

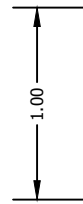
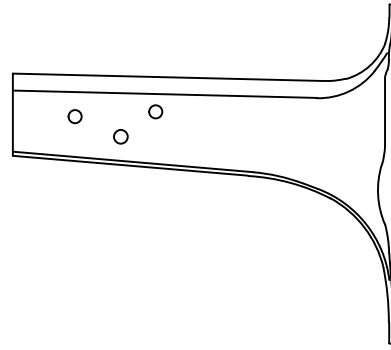
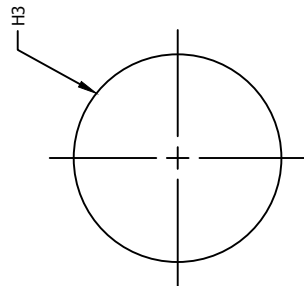
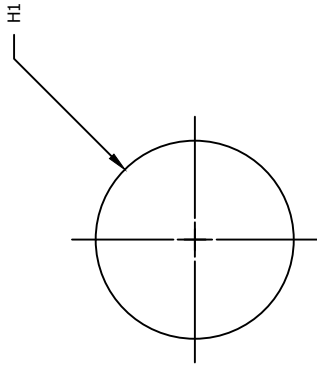
| PRO-CELL LIST | | | |
|---------------|-----|-------------|----------------------------------|
| ITEM | QTY | PART NUMBER | DESCRIPTION |
| 1 | 1 | 4P1000T15 | PRO-CELL PARTITION |
| 2 | 1 | 4PK1000T15 | PRO-CELL KIT |
| 3 | 1 | 3SP5715-05 | SEAT PROTECTOR PANEL |
| 4 | 1 | 4W5715A-P | PASSENGER AIR BAG WING KIT |
| 5 | 1 | 3S5715 | 2015 TAHOE SEAT |
| 6 | 1 | 4S57T15 | SEAT KIT |
| 7 | 1 | 4B5702T15 | 2015 TAHOE BARRIER |
| 8 | 1 | 4BK5715 | BARRIER KIT |
| 9 | 1 | 3P5715 | PRO-CELL DIVIDER |
| 10 | 1 | WBXXX57T15 | WINDOW BARS (DRIVER & PASSENGER) |
| 11 | 1 | DP5715 | DOOR PANELS (DRIVER & PASSENGER) |
| 23 | 1 | 3X61 | 1/4-20 X 3/4 CARRIAGE BOLT |

| PRO-CELL KIT ITEMS LIST | | | |
|-------------------------|-----|-------------|---|
| ITEM | QTY | PART NUMBER | DESCRIPTION |
| 12 | 1 | 3PK5715-01P | B-PILLAR BRACKET |
| 13 | 1 | 3PK5715-02P | LOWER SHEET METAL PANEL |
| 14 | 1 | 3PK5715-10 | CENTER SUPPORT BRACKET |
| 15 | 1 | 3PK5715-11 | CENTER MOUNT BRACKET |
| 16 | 2 | 3P214 | DIVIDER MOUNTING BRACKET |
| 17 | 1 | 3G620 | UPPER DIVIDER BRACKET |
| 18 | 1 | 3P8010 | DIVIDER VENT PLATE |
| 19 | 3 | 3X149 | 5/16-18 X 3/4 BSHCS, BK |
| 20 | 4 | 3X162 | #14 x 3/4" SELF DRILLING HEX HEAD SCREW |
| 21 | 8 | 3X36 | 1/4-20 X 5/8 CARRIAGE BOLT |
| 22 | 21 | 3X16Z | 1/4-20 WHIZ NUT |
| 23 | 1 | 3X61 | 1/4-20 X 3/4 CARRIAGE BOLT |
| 24 | 10 | 3X82 | 1/4-20 X 1 CARRIAGE BOLT |
| 25 | 4 | 3X16 | 1/4-20 WHIZ NUT BLK |
| 26 | 4 | 3X07 | 1/4-20 X 1-1/2 PHIL TRUSS HD MS |
| 27 | 4 | 4G5070P1 | 3/8 SPACER |
| 28 | 22 | 3X145 | BLACK PLASTIC CAP |



DIRECTIONS

1. CUT ALONG THE DASHED LINES
2. REMOVE THE B-PILLAR TRIM AND PLACE TEMPLATE INSIDE ALIGNING CUT OUT AREAS WITH THEIR CORRESPONDING FEATURES ON THE OEM TRIM PANEL
3. CENTER PUNCH 3 HOLE LOCATIONS THRU TEMPLATE & DRILL/CUT 1" DIA. HOLE
4. REINSTALL TRIM PANELS OVER TOP OF THE B-PILLAR BRACKETS



CHECK SCALE
SELECT NONE FOR PAGE SCALING
WHEN PRINTING FROM .pdf FILE

2015-CURRENT
CHEVROLET TAHOE PPV
B-PILLAR TRIM TEMPLATE PASSENGER