

INSTALLATION GUIDE

GVM5416X-X

SELF SUPPORTING

STAND FOR 2016 - EARLY 2019

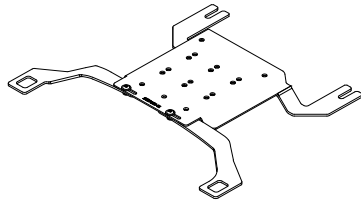
CHEVROLET SILVERADO

Pro-gard[™]
PRODUCTS LLC.

STRONG | RELIABLE | SECURE

pro-gard.com
800.480.6680

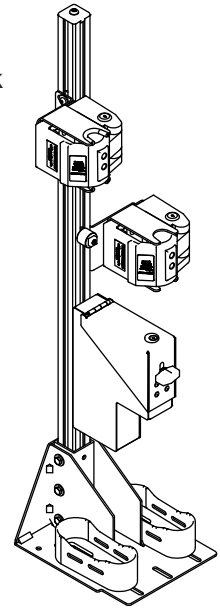
THESE COMPONENTS ARE REQUIRED TO INSTALL
THE PRO-GARD SELF SUPPORTING STAND AND TRI-LOCK GUN RACK



4G5713 MOUNT BASE

Tri-Lock Gun Rack

GVPMXXXX



I. Refer to the diagram above to verify all parts were received.

II. The following tools will be required to complete the installation:

- | | |
|---------------------------|-----------------------------|
| A. 7/16" Socket & Ratchet | D. 5/16" and 3/8" Drill bit |
| B. 5/32" Allen Wrench | E. 18mm Socket |
| C. 9/32" Allen Wrench | F. T-45 Torx Bit |

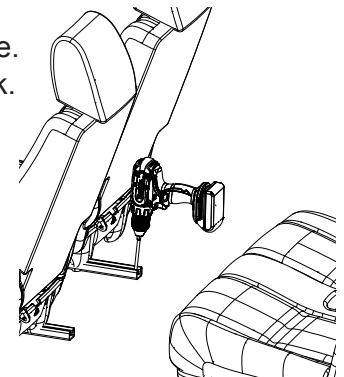
III. Read all instructions carefully before starting the assembly process.

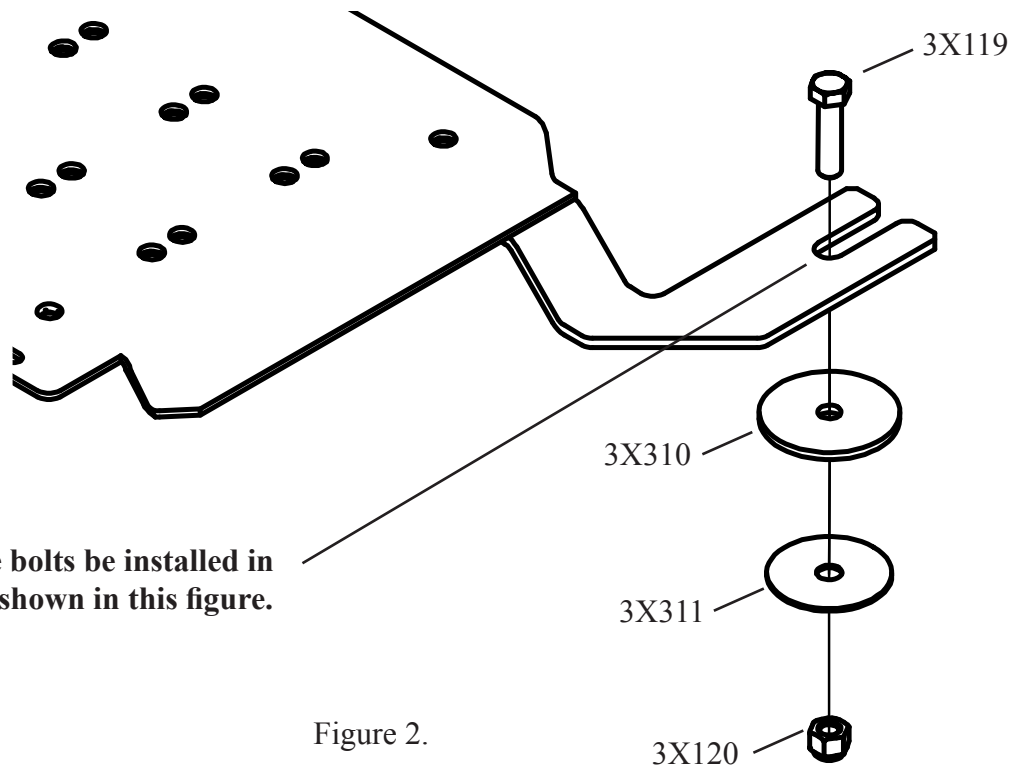
NOTE: *Locate all wiring, fuel lines, brake lines, and /or cooling lines before drilling holes or installing any fasteners.*

IV. Mounting Base Installation

Figure 1.

- A. Position both the driver and passenger seats as far forward and up as possible. Remove the (2) inner plastic guards located on the rear of the front seats track.
- B. Using a T-45 torx bit to remove the inner seat bolts located on the passenger and drivers side. Refer to Figure. 1
- C. Place 3G5715U-05 under the drivers side seat track and align the slot with the hole location for the OEM bolt. Loosly secure the OEM bolt back into location.
- D. Align this bracket with 3G5715U-01. Secure using the provided 3X03 bolt and 3X12 washer. Repeat the process for the passenger side using 3G5715U-06.
- E. Ensure all bolts are tightened firmly.





We recommend that the bolts be installed in the forward position as shown in this figure.

Figure 2.

NOTE: *Locate all wiring, fuel lines, brake lines, and /or cooling lines before drilling holes or installing any fasteners.*

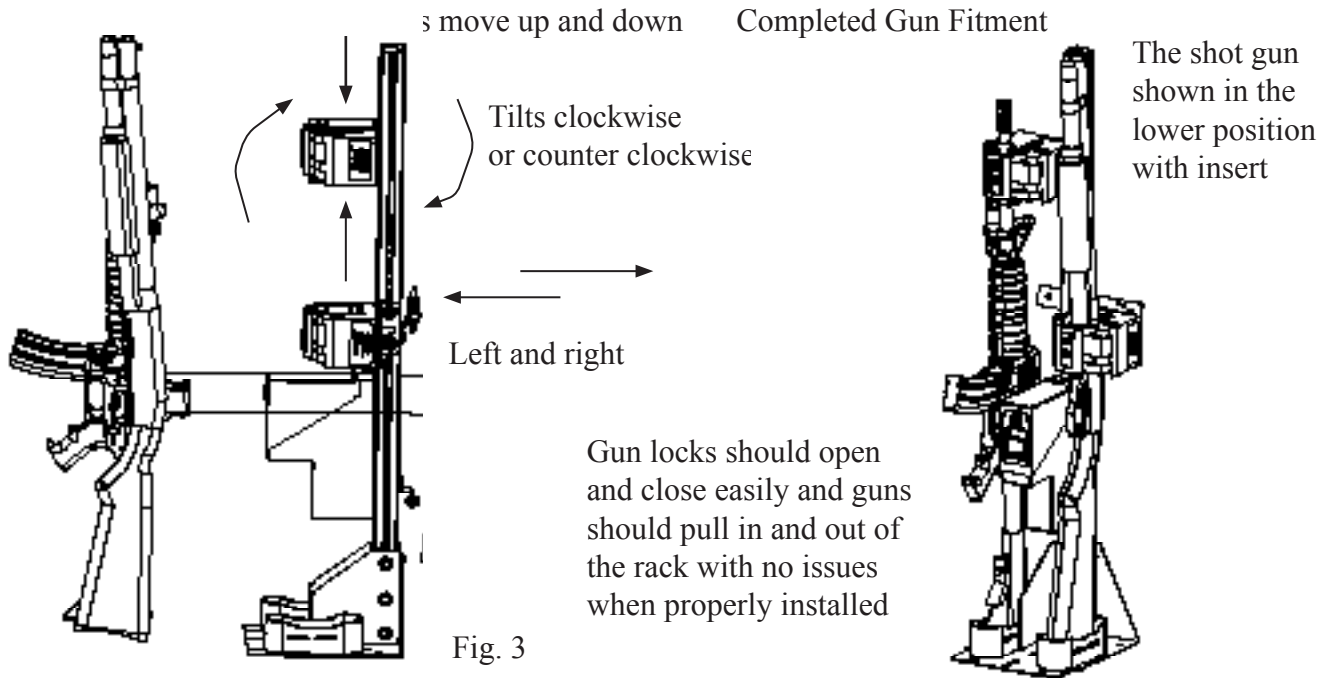
- F. Using the base as a template, mark your location in the forward position of the slot as shown in Figure 2.
- G. Drill the holes using a 3/8" drill bit making sure to remove any possible burrs.
- H. Install the bolt (3x119) from the top as shown in Figure 2, and then the rubber washer (3x310), fender washer (3x311) from the bottom, and the lock nut (3x120). A second installer may be needed to hold the bolt inside the vehicle, while the other installer tightens the nut from below the vehicle.

V. Base Installation Complete

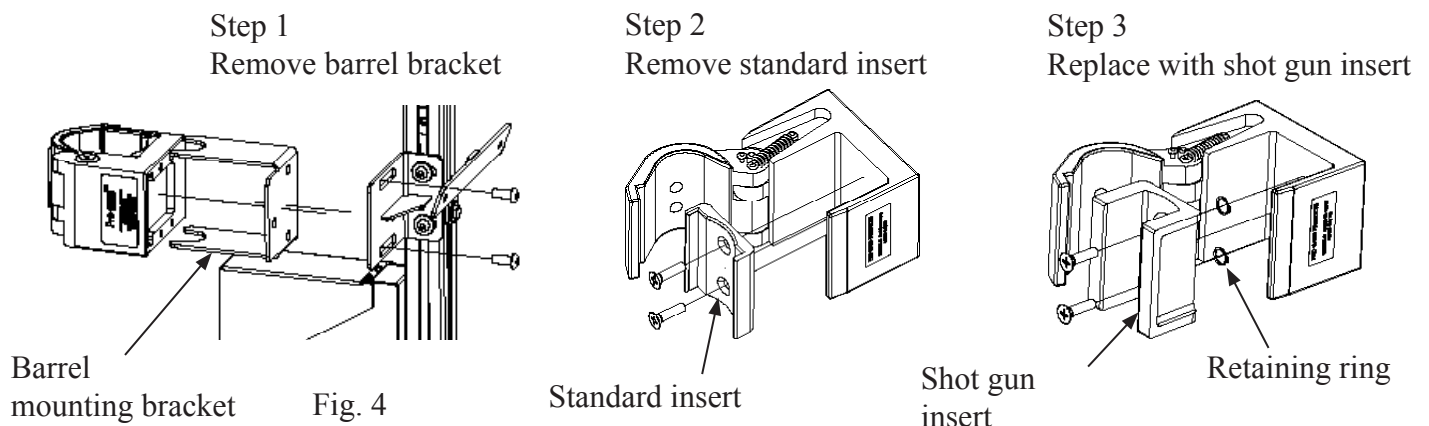
(Continue with gun rack installation on the next page)

VI. Installing the Tri-Lock gun rack (Requires Pro-gard self-supporting mounting base)

- A. Place the intended guns into the gun rack and make adjustments to fit. This will allow more access than when the rack is in the vehicle, but the rack can be adjusted after installed inside the vehicle as well.
- B. The brackets mounting the gun lock are designed to be loosened and adjusted in many directions to accommodate most guns. Fit each gun by loosening the bolts on the gun lock bracketry so the mounting bracket moves freely. Place your gun into the lock and in the desired position. Take an allen wrench to tighten locks in place. (See Fig. 3)



- C. A gun can be mounted in two ways, by barrel mount or by installation of the shot gun mount insert. To install the shot gun insert, remove the standard insert by opening the lock and unscrewing the two insert bolts with an allen wrench. Remove the retaining ring from the bolt's back side. Replace with shot gun insert (3G724) and reinstall insert bolts and retaining rings on the back side of the insert. Use the two fastener bolt's adjustment to fit the shot gun used in the lock. (See Fig. 4)



VII. Self-Supporting Installation

- A. For self-supporting installations, remove the four bolts that secure the butt plates to the base of the gun rack. Then rest the gun rack to the self supporting stand, loosely attach the gun rack and adjust it and the butt plates as necessary from front to back. (See Fig. 5)

NOTE: For Optimal Conditions secure the back of the gun rack tight against the seat.

VIII. Lock Box

- A. Open the lock box and loosen the bolts with a $7/16$ " socket and extension wrench to adjust the box up or down as needed. (Swivel attachment is required) Install supplied black felt over bolts when box position has been fixed. (See Fig. 6)

Lock box
adjustment
bolts

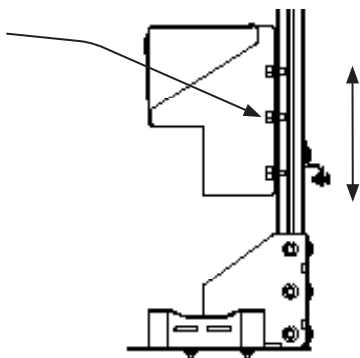


Fig. 6

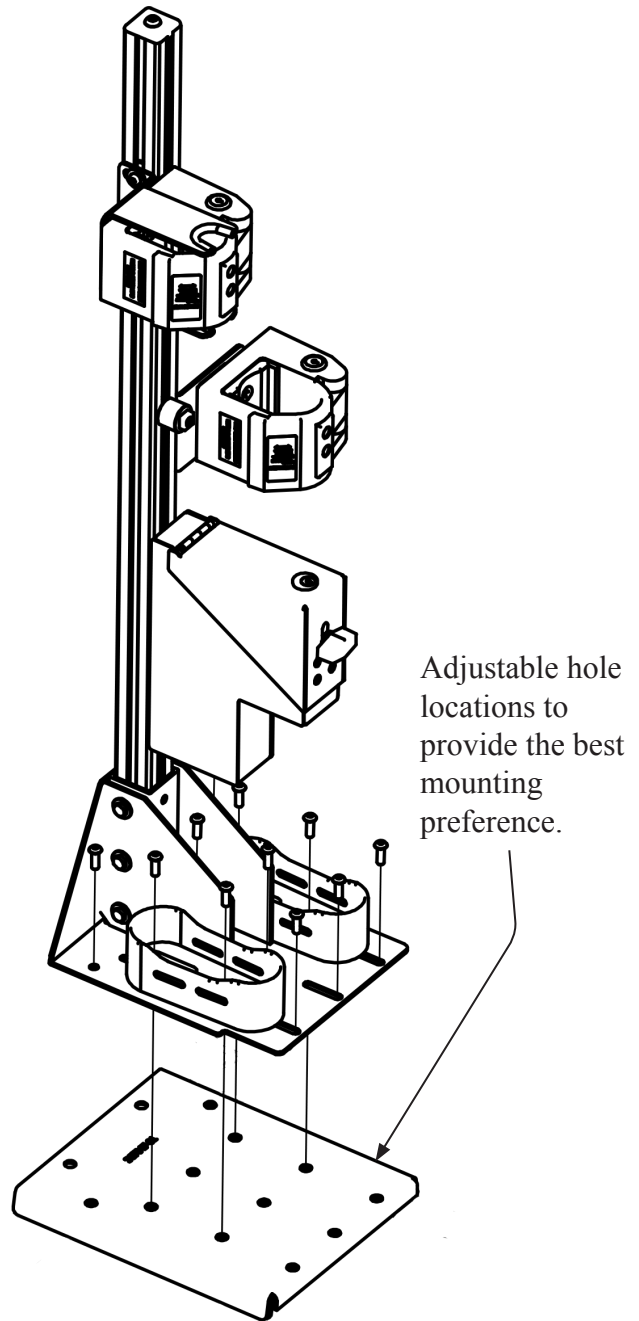


Fig. 5

IX. Gun lock switch and timer installation.

- A. We suggest mounting the momentary release button in a concealed location that can be easily reached by the officer, but would be hidden in case an unauthorized entry occurs.
- B. Connect the gun lock wiring as shown in the diagram below.

NOTE: *Pro-gard requires the use of a 10 AMP fuse between the power source and gun lock circuit or the warranty will be voided!*

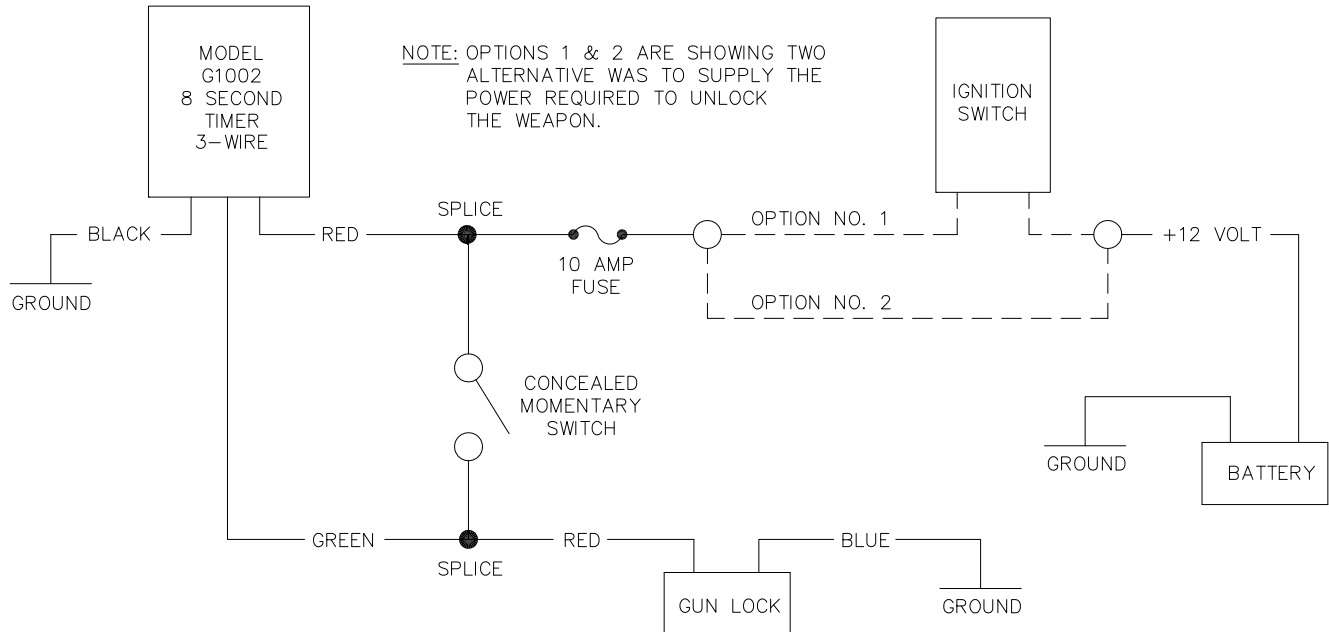


Fig. 7

X. Lock Head Operating Instructions

- A. To release, grasp the weapon, but do not pull it against the lid of the gun lock.
- B. While depressing and holding the release button (momentary switch), push and then pull the weapon towards the lid of the gun lock to release it from the lock.

NOTE: *One handed operation is possible utilizing the optional 8 second timer. The timer will unlock the lock for 8 seconds following activation of the momentary switch. If the gun is not pulled out of the lock within 8 seconds after activation of the momentary switch, the lock will automatically re-lock.*

TIP: *If lid of the lock does not release, press in on the lid to release tension and reactivate the release button (unless timer is still active).*

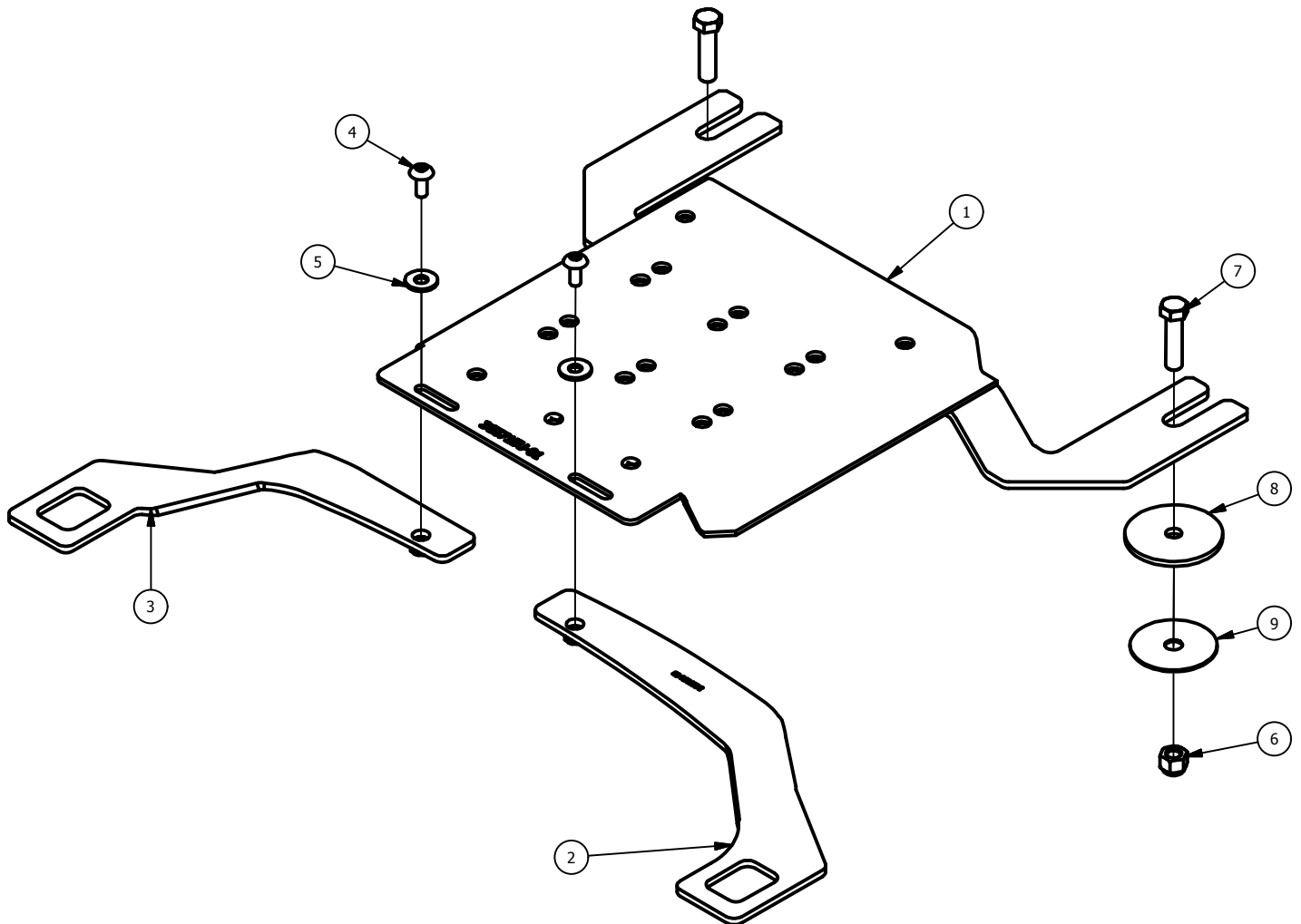
Installation Complete!

Call Pro-gard technical support if assistance is needed. 1-800-480-6680

Self-Supporting Mounting Base

4G5715U			
ITEM	QTY	PART NUMBER	DESCRIPTION
1	1	3G5715U-01	TRI-LOCK SEF SUPPORTING BASE
2	1	3G5715U-05	SEAT MOUNTING BRACKET - DRIVER SIDE
3	1	3G5715U-06	SEAT MOUNTING BRACKET - PASSENGER SIDE

4GVMHK5416			
ITEM	QTY	PART NUMBER	DESCRIPTION
4	2	3X03	1/4-20 X 5/8 PHIL TRUSS HD MS
5	2	3X12	1/4 FLAT WASHER, BLACK
6	2	3X120	3/8-16, Hex Nylon Insert Locknuts, GR 8, Yw Zinc
7	2	3X119	3/8-16x1.50, Hex Tap Bolts, Grade 8, Yellow Zinc
8	2	3X310	.375 x 2.250 black rubber washer
9	2	3X311	.375 x 2 zinc fender washer



Tri-Lock Gun Rack

PARTS LIST			
ITEM	QTY	PART NUMBER	DESCRIPTION
1	1	3674281-01	BACK BASE WELDMENT
2	1	3674983-04	1.5" X 1.5" X .30" LG. ALUM EXTRUSION
3	*2	**09863-003	BUTT PLATE - BLACK NYLON
4	*2	**09863-003	RUBBER BUTT PLATE PAD
5	*1	3674281-02	LOCK MOUNTING BRACKET - PASSENGER
6	*1	3674281-03	LOCK MOUNTING BRACKET - DRIVER
7	*2	**09864-000	R. GUN LOCK
8	*2	**09865	R. LOCK GUNNEL MOUNT BRACKET
9	1	367008	UPPER PARTITION MOUNTING BRACKET
10	1	367001	LOWER PARTITION MOUNT BRACKET (NOT SHOWN)
11	*1	36734	LOCK INSERT FOR SHOT GUN
12	*1	48L862	GUN SAFE
HARDWARE LIST			
ITEM	QTY	PART NUMBER	DESCRIPTION
13	4	30340	5/16-20 X 3/4 BOWCS, BK
14	13	30312	1/4" FLAT WASHER, BLACK
15	7	30290	1/4-20 X 0.5 BOWCS
16	18	30289	1/4-20 SLOT NUT (NOT SHOWN)
17	6	3030	1/4" FLAT WASHER, BLACK
18	6	30322	1/4-20 x 1" HWPS, Zn
19	7	30304	1/4-20x.75, 6HMS, BLACK OXIDE
20	1	3081	1/4-20 X 3/4 GUNNAGE BOLT
21	1	30362	1/4-20 WHEZ NUT
22	1	6UR03-PLAIN	EXTRUSION END CAP
23	**4	30316	1/4-20 WHEZ NUT (NOT SHOWN)
24	1	30235	5/16-20 X 0.5-10 LG. BOWCS, BK
25	1	30236	6-03 SLOT NUT
26	1	NE020-TH	NEOPRENE THERM
27	1	30292	6-03 X 5/8 PHCS
28	2	30231	1/4-20 X 0.5 HEX CAP SCREW
29	1	30229	0.125 REVET (NOT SHOWN)
30	1	368708	BLACK FELT 17 3/4" X 51" (QTY CONSUMED (NOT SHOWN))
31	1	368708-01	LOCK BOX FELT (NOT SHOWN)
32	1	368308	MOMENTARY SWITCH
33	1	GL888	TIMER DELAY MODULE

* - QTY MAY VARY DEPENDING ON CONFIGURATION
 ** - ITEM MAY VARY DEPENDING ON CONFIGURATION

