

INSTALLATION GUIDE

GVM3613

SELF SUPPORTING

STAND FOR

2013+ FORD SEDAN

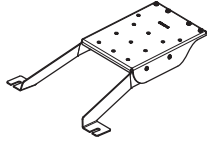
INTERCEPTOR

Pro-gard[™]
PRODUCTS LLC.

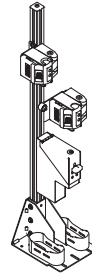
STRONG | RELIABLE | SECURE

pro-gard.com
800.480.6680

THESE COMPONENTS ARE REQUIRED TO INSTALL
THE PRO-GARD G7036 SELF SUPPORTING STAND AND TRI-LOCK GUN RACK



4GVM3614INT GUNRACK MOUNT BASE KIT



Tri-Lock Gun Rack
4GTLD-01

I. Refer to the diagram on the last page of these instructions to verify all parts were received.

II. The following tools will be required to complete the installation.

A. 7/16" Socket & Ratchet

D. 5/16" Drill bit

B. 5/32" Allen Wrench

E. 15mm Socket

C. 9/32" Allen Wrench

F. 3/8" Socket

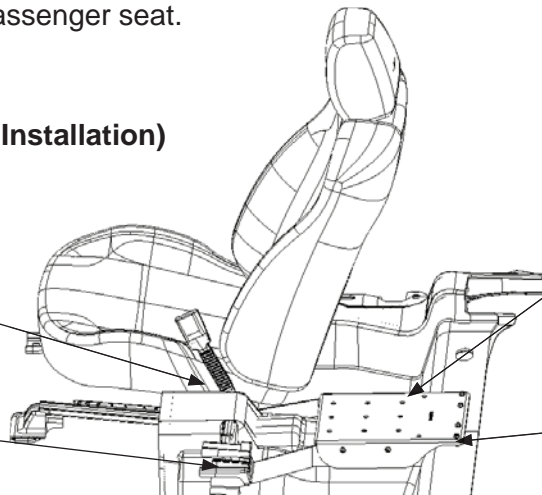
III. Installing the self supporting stand.

A. Loosen both inner rear seat bolts of both the driver and passenger seat, so that seats can be lifted about 1/2". Remove the lower portion of the rear seat cushion by releasing the two plastic locking clips at the front of the rear seat. Then force the seat towards the rear of the vehicle while pushing down to get the metal hooks to release from the vehicle. Then remove the lower cushion from the vehicle. Install front mounting legs to the base using the supplied fasteners. Then install the mounting base into the vehicle. If the vehicle is equipped with the wire raceway option above the driveshaft tunnel, remove it from the vehicle. The gun rack allows space for the wires to run underneath the gun rack base without the need for the raceway. Secure the gunrack base to the rear seat frame (See Fig. 1) through the four holes (If there was a factory raceway, the existing holes and fasteners may be used). Use the supplied self drilling screws to secure the rear of the gunrack base to the rear seat support frame followed by tightening the inner rear seat bolts of the driver and passenger seat.

**IV. Base Installation Complete
(Continue with The Gun Rack Installation)**

Passenger Inner Seat Rail
And Bolt Locations

Driver Inner Seat Bolt
Locations

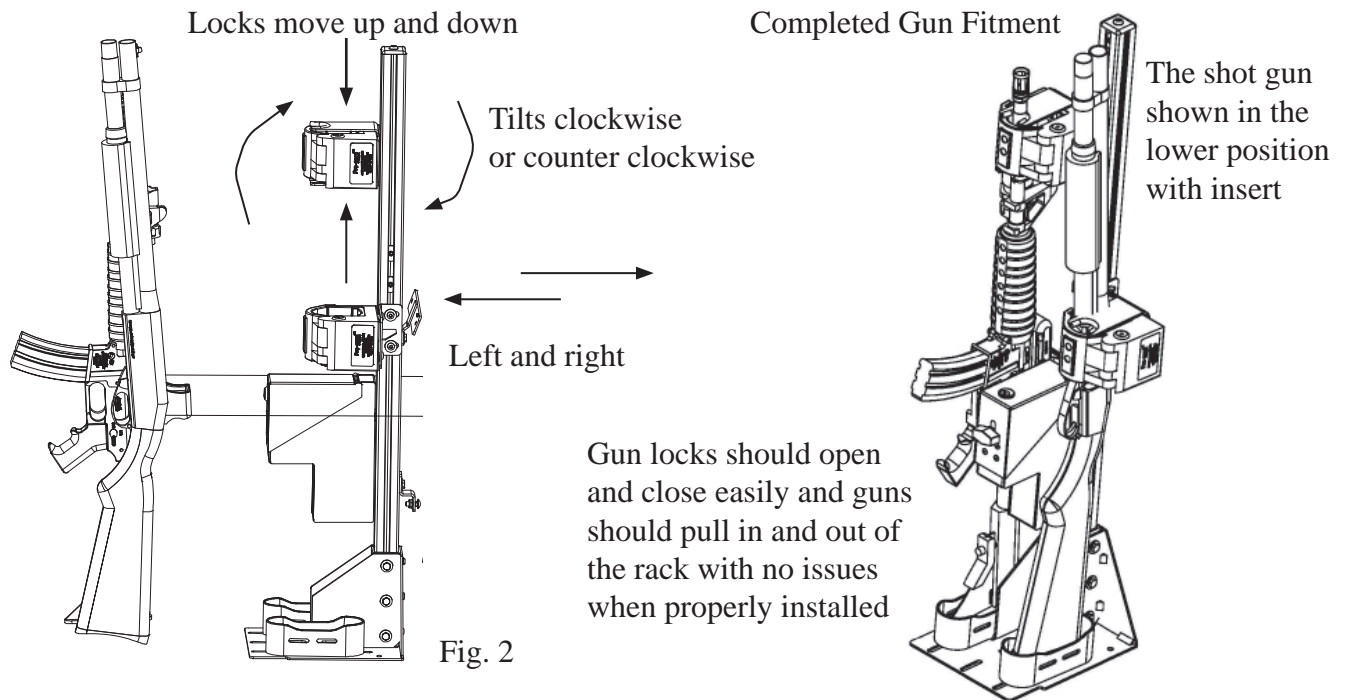


Gun Rack
Base

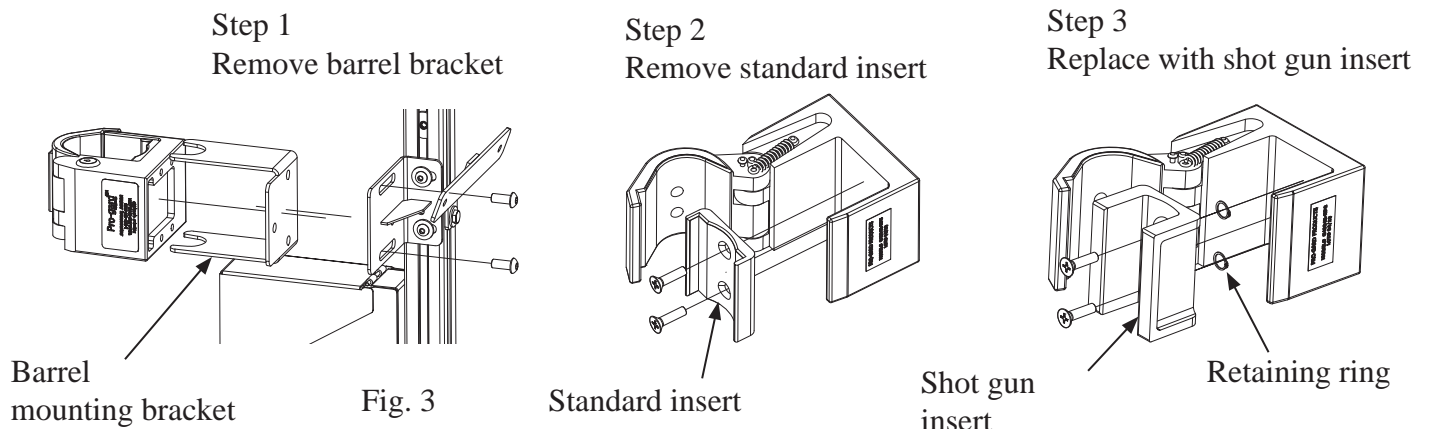
Rear Seat Support
Mounting Location

V. Installing the Tri-Lock gun rack (Requires Pro-gard self-supporting mounting base)

- A. Place the intended guns into the gun rack and make adjustments to fit. This will allow more access than when the rack is in the vehicle, but the rack can be adjusted after installed inside the vehicle as well.
- B. The brackets mounting the gun lock are designed to be loosened and adjusted in many directions to accommodate most guns. Fit each gun by loosening the bolts on the gun lock bracketry so the mounting bracket moves freely. Place your gun into the lock and in the desired position. Take a allen wrench to tighten locks in place. (See Fig. 2)



- C. Shot Gun Mounting - The shot gun can be mounted in two ways, by barrel mount or by installation of the shot gun mount insert. To install the shot gun insert, remove the standard insert by opening the lock and unscrewing the two insert bolts with an allen wrench. Remove the retaining ring from the bolt's back side. Replace with shot gun insert (3G724) and reinstall insert bolts and retaining rings on the back side of the insert. Use the two fastener bolt's adjustment to fit the shot gun used in the lock. (See Fig. 3)



VI. Self-Supporting Installation

- A. For self-supporting installations, remove the four bolts that secure the butt plates to the base of the gun rack. Then rest the gun rack to the self supporting stand, loosely attach the gun rack and adjust it and the butt plates as necessary from front to back. (See Fig. 4)

NOTE: *For Optimal Conditions secure the back of the gun rack tight against the seat.*

VII. Lock Box

- A. Open the lock box and loosen the bolts with a 7/16" socket and extension wrench to adjust the box up or down as needed. (Swivel attachment is required) Install supplied black felt over bolts when box position has been fixed. (See Fig. 5)

Lock box
adjustment
bolts

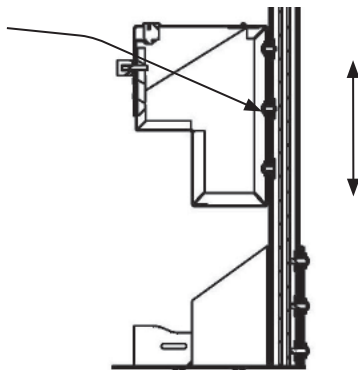


Fig. 5

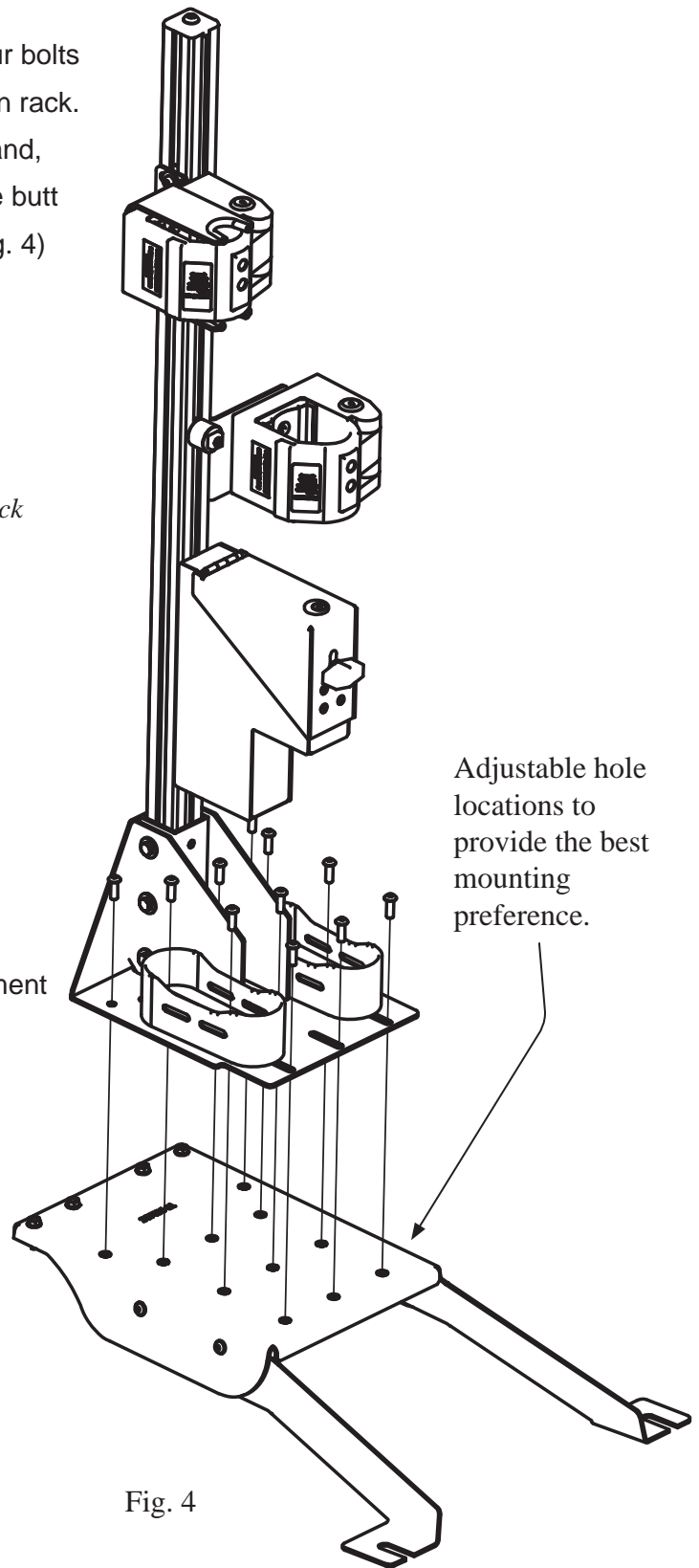


Fig. 4

VIII. Gun lock switch and timer installation.

- A. We suggest mounting the momentary release button in a concealed location that can be easily reached by the officer, but would be hidden in case an unauthorized entry occurs.
- B. Connect the gun lock wiring as shown in the diagram below.

NOTE: *Pro-gard requires the use of a 10 AMP fuse between the power source and gun lock circuit or the warranty will be voided!*

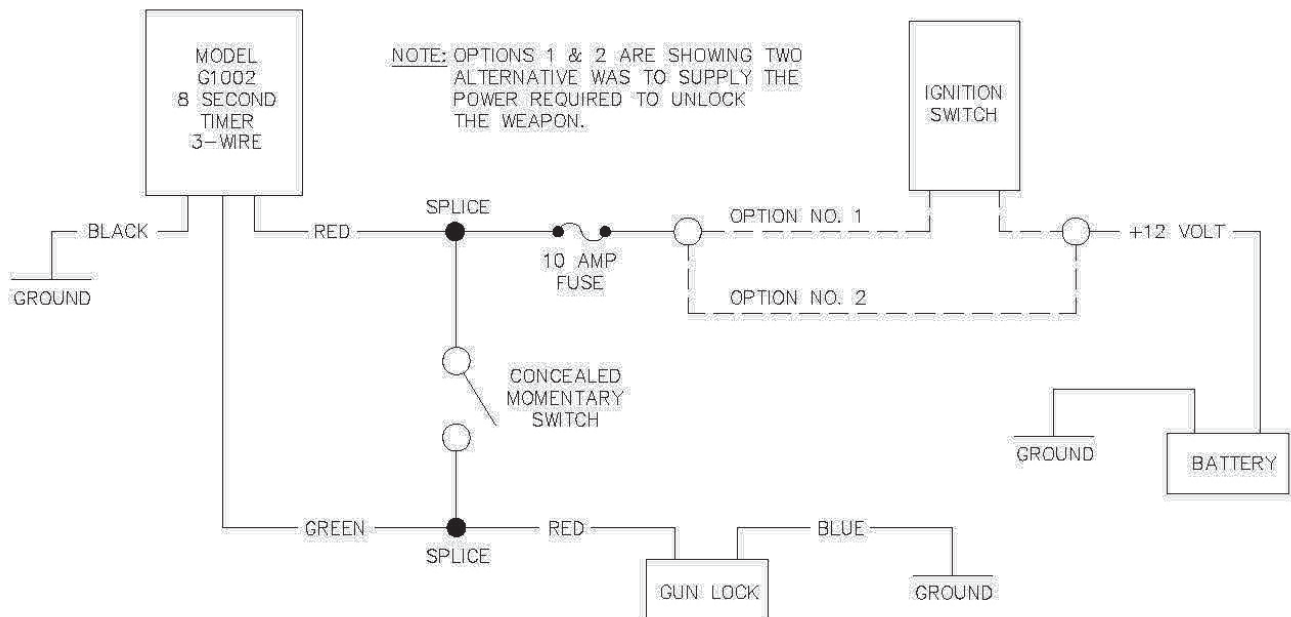


Fig. 6

IX. Lock Head Operating Instructions

- A. To release, grasp the weapon, but do not pull it against the lid of the gun lock.
- B. While depressing and holding the release button (momentary switch), push and then pull the weapon towards the lid of the gun lock to release it from the lock.

NOTE: *One handed operation is possible utilizing the optional 8 second timer. The timer will unlock the lock for 8 seconds following activation of the momentary switch. If the gun is not pulled out of the lock within 8 seconds after activation of the momentary switch, the lock will automatically re-lock.*

TIP: *If lid of the lock does not release, press in on the lid to release tension and reactivate the release button (unless timer is still active).*

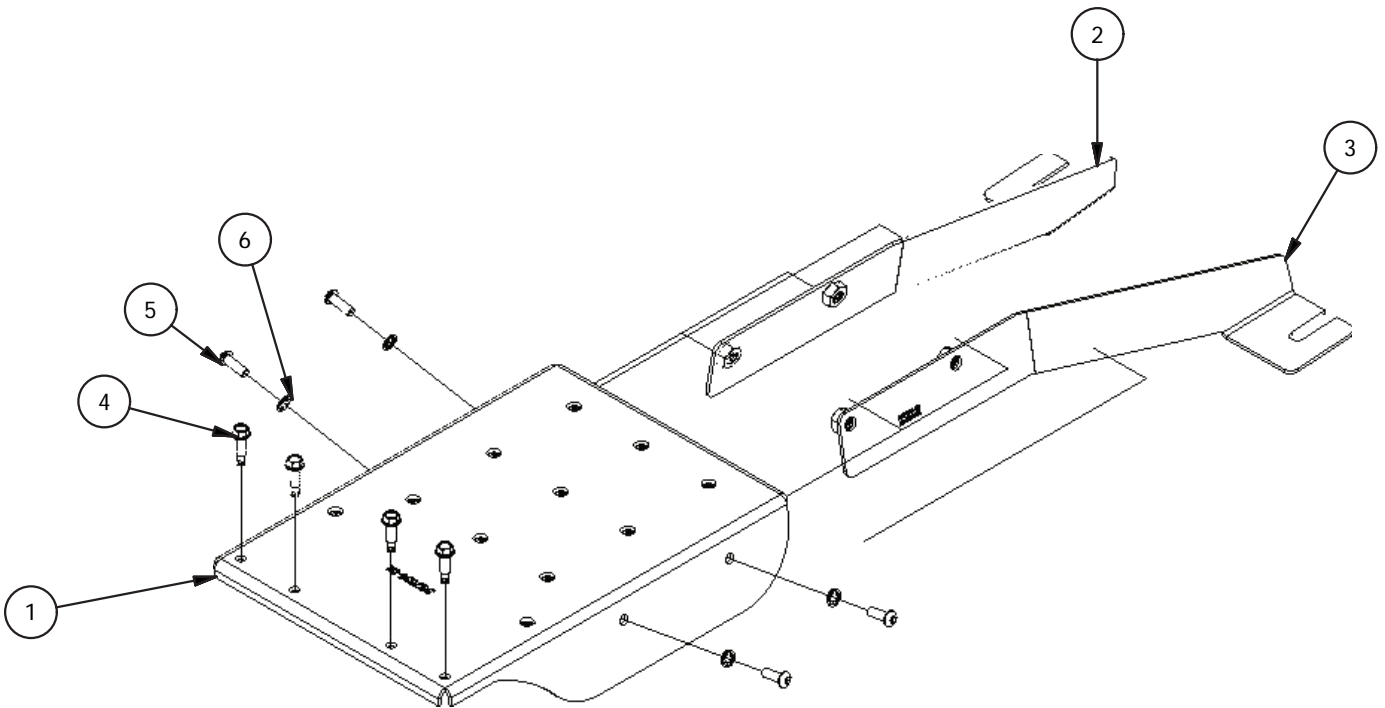
Installation Complete!

Call Pro-gard technical support if assistance is needed. 1-800-480-6680

Self-Supporting Mounting Base

3G7036			
ITEM	QTY	PART NUMBER	DESCRIPTION
1	1	3G7036-01	SELF-SUPPORTING BASE
2	1	3G7036-02	SELF-SUPPORTING LEG - DRIVER
3	1	3G7036-03	SELF-SUPPORTING LEG - PASSENGER

HARDWARE KIT			
ITEM	QTY	PART NUMBER	DESCRIPTION
4	4	3X110	1/4"-14x1" SELF DRILLING SCREW
5	4	3X184	1/4"-20x0.75, SBHCS, BLACK OXIDE
6	4	3X34b	1/4" INT TOOTH LOCK WSHR



Tri-Lock Gun Rack

PARTS LIST			
ITEM	QTY	PART NUMBER	DESCRIPTION
1	1	1515-LITE-BLACK 80/20 INC	1.5" X 1.5" LOT T SLOTTED 38"
2	1	203001-PLAIN	END CAP W/O FASTNER PLAIN
3	*2	3G135	R LOCK BARREL MOUNT BRACKET
4	2	3G4962-002	BUTT PLATE BLACK NYLON
5	2	3G4963-002	RUBBER BUTT PLATE PAD
6	1	3G5078R	BLACK FELT (NOT SHOWN)
7	1	3G5078R-01	LOCK BOX FELT (NOT SHOWN)
8	1	3G5100	MOMENTARY SWITCH
9	*1	3G724	LOCK INSERT FOR SHOT GUN
10	1	3GVM201-01	RACK BASE WELDMENT
11	*1	3GVM201-02	LOCK MOUNTING BRACKET - PASSENGER
12	*1	3GVM201-03	LOCK MOUNTING BRACKET - DRIVER
13	4	3R50109	TRIM, RUBBER GUNRACK
14	10	3X12	1/4 FLAT WASHER, BLACK
15	6	3X122	1/4-20 x 1" HHMS, Zn
16	4	3X149	5/16-18 X 3/4 BSHCS, BK
17	*4	3X16	1/4-20 WHIZ NUT (NOT SHOWN)
18	7	3X184	1/4-20x0.75, SHCS, BLACK OXIDE
19	1	3X233	06-32 WELD NUT N-D 1114
20	16	3X234	1/4-20 SLOT NUT (NOT SHOWN)
21	1	3X235	5/16-18 X 5/16 LG.BSHCS, BK
22	1	3X242	6-32 X 1-1/2 FLAT HD SOC CAP SCR
23	7	3X258	1/4-20X1/2 BUTT HD SOC SC BLK
24	6	3X33	1/4 FLAT USS WASHER, ZINC
25	1	4G5070P2	SPACER, PLASTIC, 3/4" LONG
26	*1	4GLB02-01	GUN SAFE
27	1	G1002	TIMER DELAY MODULE
28	1	G4904-NPG	R GUN LOCK
29	1	G4904X	LOCK
30	1	NB020-TH	MAGNET 1/2" X 1/2" X 1/4"

* - QTY MAY VARY DEPENDING ON CONFIGURATION
 ** - ITEM MAY VARY DEPENDING ON CONFIGURATION

