

INSTALLATION GUIDE

3G7009A

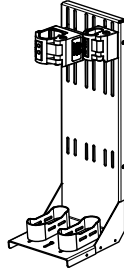
SELF SUPPORTING
GUN RACK

Pro-gard[™]
PRODUCTS LLC.

STRONG | RELIABLE | SECURE

pro-gard.com
800.480.6680

3G7009A GUN RACK



- I. Refer to the diagram on the last page of these instructions to verify all parts were received.
- II. The following tools will be required to complete the installation.

Socket wrench with 7/16" socket
Allen tool 5/32 or 4mm
Phillips screw driver

- III. Installing the gun rack.

A. Remove the four 3X184 allen bolts that hold the butt plates to in place. Rest the gun rack, 3G7009A on the previously installed self supporting stand (refer to vehicle mounting instructions). Install the four 3X184 bolts back into the butt plate slots securing the gun rack and butt plates to mounting base. (Leave these bolts loose for now to allow movement of the gun rack on the base).

- IV. Weapon fitment.

A. Remove the 4 philips head screws (3X143) that secure black plastic ABS back to the gun rack. Remove the back cover from the gun rack to access the gun lock fasteners and adjust as needed.

B. Place weapon in the gun rack and adjust lock and butt plate bracket to properly fit weapon.

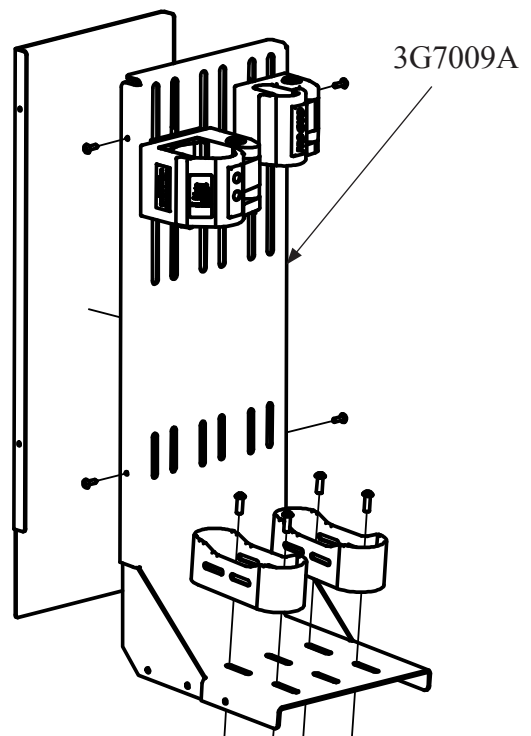
Optional - Charging brackets and trigger guards should also be adjusted to ensure the weapon cannot be discharged.

- V. Final installation.

A. Wire electric gun locks per timer instructions. See page 4

B. Re-install the back cover onto the gunrack with the 4 (3X143) screws that were removed earlier.

FIG. 1



VI. Lock Head Operating Instructions

To release the weapon:

- A. Grasp the weapon, but do not pull it against the lid of the gun lock.
- B. While depressing and holding the release button (momentary switch), push and then pull the weapon towards the lid of the gun lock to release it from the lock.

Note: One handed operation is possible utilizing the optional 8 second timer. The timer will unlock the lock for 8 seconds following activation of the momentary switch. If the gun is not pulled out of the lock within 8 seconds after activation of the momentary switch, the lock will automatically re-lock.

Important: If the lid of the lock does not release, press in on the lid to release tension and reactivate the release button (unless timer is still active).

VII. Securing the Weapon:

- A. Push weapon firmly and completely into the lock mechanism and firmly close lid.
- B. Check to insure that the lid is locked.
- C. If the lid does not lock, re-seat the weapon firmly and completely into the lock assembly and again apply pressure to the lock lid to seat and re-lock it.

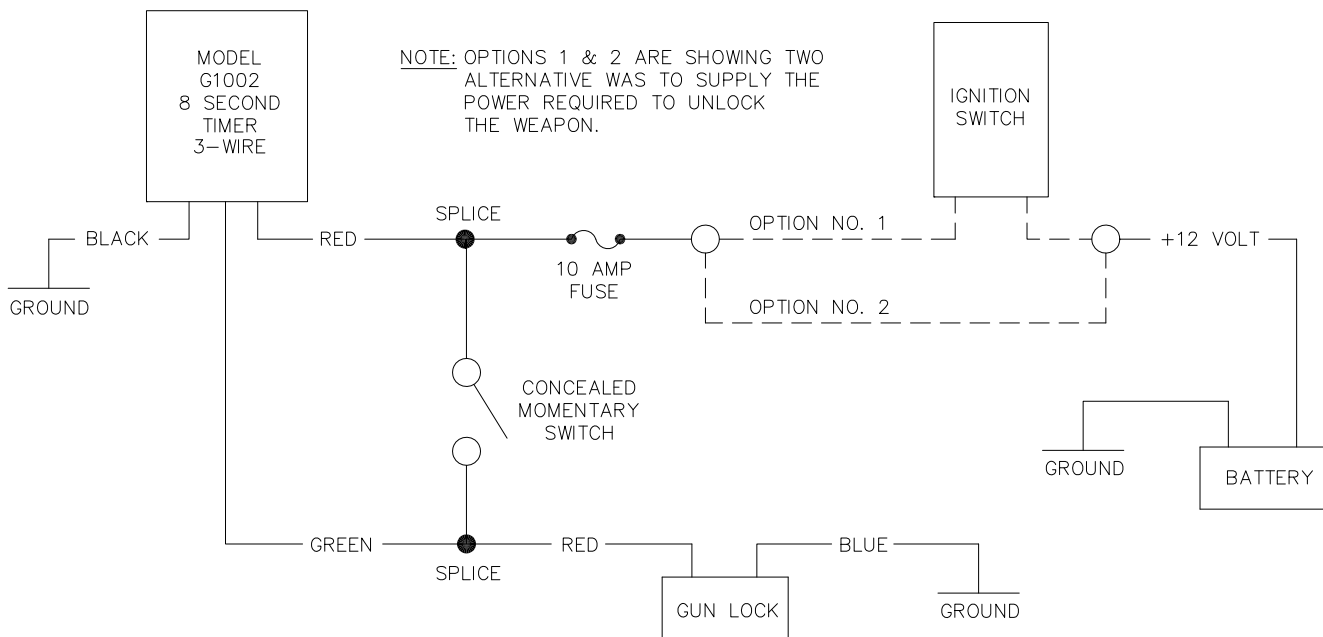
Note: The G4904 Series lock mechanism has a unique override. In the event of power failure, the lock can be opened using a standard handcuff key or other high security key.

VIII. To open the lock with the manual override key:

- A. Fully insert the handcuff key into the hole provided in the lock head. Turn the key 1/4 turn to the left (counter-clockwise). Pull open the lid or pull on the weapon to open it.

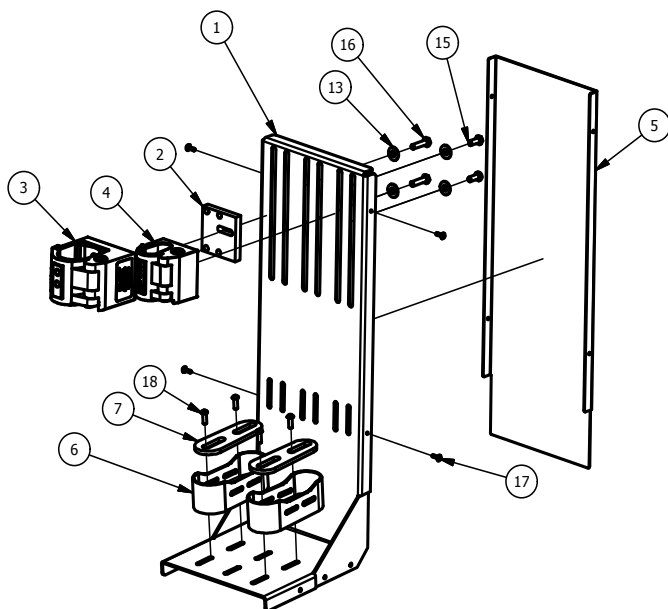
Important: Return the key to its original position or remove key completely to close and re-lock the lock.

IX. Installing Optional 8 second timer (3-Wire)



Note: If for any reason the gun lock momentary switch remains activated, such as, the button is damaged, and/or shorted, the unit will time out in 8 seconds and can not be operated again until the defective switch is repaired, thus saving the gun lock solenoid. Do not connect directly to power for more than 20 seconds!

X. Installation Complete



PARTS LIST			
ITEM	QTY	PART NUMBER	DESCRIPTION
1	1	3G7009A	GUN RACK - VERTICAL MOUNT
2	*1	**3G5085	GUN LOCK SPACER
3	*1	**G4904-NPG	LOCK MEDIUM STYLE R
4	*1	**G4904H	LOCK SMALL STYLE H
5	1	3G7009C	BACK COVER - ABS PLASTIC
6	2	G4962-002	BUTT PLATE - BLACK NYLON
7	2	G4963-002	RUBBER BUTT PLATE PAD
8	1	3G5100	SWITCH, MOMENTARY (NOT SHOWN)
9	1	3G9079	CHARGING HANDLE BRACKET (NOT SHOWN)
10	1	G1002	TIMER-8 SECOND DELAY - 3 WIRE (NOT SHOWN)
HARDWARE LIST			
ITEM	QTY	PART NUMBER	DESCRIPTION
11	*2	3X03	1/4-20 X 5/8 PHIL TRUSS HD MS (NOT SHOWN)
12	*2	3X16	1/4-20 HEX WHIZ NUT - BLACK OXIDE (NOT SHOWN)
13	4	3X33	1/4" STANDARD FLAT WASHER
14	4	3X58	5/16 MED SPLIT LOCKWASHER - ZC (NOT SHOWN)
15	*2	3X75	5/16-18 X 1 HEX HD - CAP SCR
16	*2	3X98	5/16-18 x 1-1/4" CAP SCREW
17	4	3X143	8-32 X 5/8 PHIL PAN HD MS
18	4	3X184	1/4/20X0.75, SBHCS - BLACK OXIDE

* - QTY MAY VARY DEPENDING ON CONFIGURATION
 ** - ITEM MAY VARY DEPENDING ON CONFIGURATION