

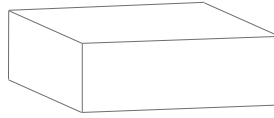
INSTALLATION GUIDE
GPC PRO-CELL GUN RACK
UNIVERSAL

Pro-gard[™]
PRODUCTS LLC.

STRONG | RELIABLE | SECURE

pro-gard.com
800.480.6680

THESE COMPONENTS ARE REQUIRED
TO INSTALL THE PARTITION



Pro-Cell Gun Rack Kit

GPCXXX

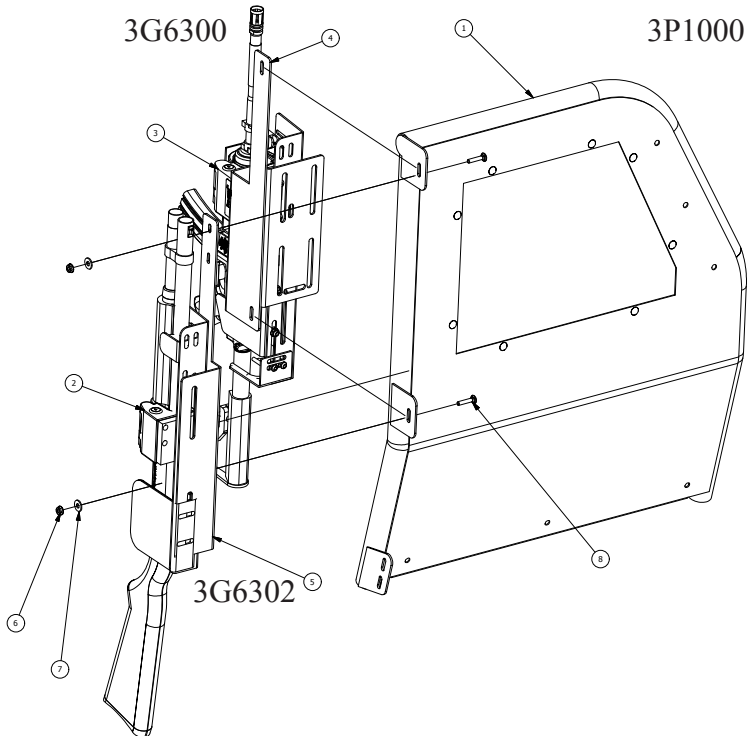
I. The following tools will be required to complete the installation.

- A. 7/16" Socket & Ratchet

II. Use the diagram to correctly assemble and install the pro-cell gun rack.

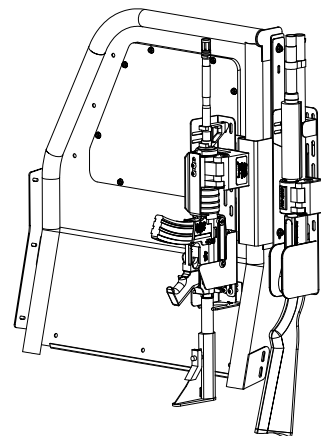
A. If installing dual gun racks, first attach the 3G6300 bracket to the partition, then attach the 3G6302 bracket and bolt together with the (3X00) carriage bolts and (3X16Z) whiz nuts. Ensure bracketry is secure and check the fit of the guns in each rack. Adjustments may be required to get guns in desired position.

B. If installing single gun rack, then attach the 3G6302 mounting bracket only with all other instructions the same.



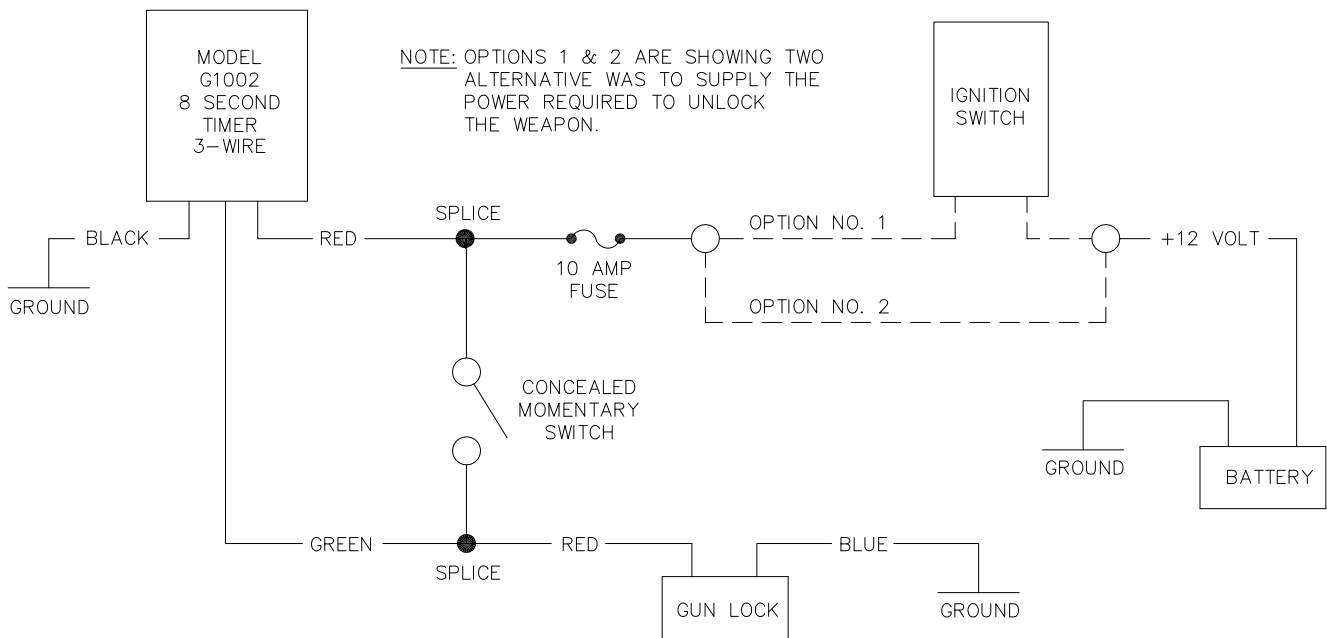
PARTS LIST			
ITEM	QTY	PART NUMBER	DESCRIPTION
1	1	3P1000 OR 3P1826	PRO CELL PARTITION (VEHICLE SPECIFIC)
2	1	G5000UT	UNIVERSAL SHOT GUN RACK
3	1	G5040UT	UNIVERSAL AR GUN RACK
4	1	3G6300	PRO CELL GUN MOUNT
5	1	3G6302	PRO CELL GUN MOUNT

KIT LIST			
ITEM	QTY	PART NUMBER	DESCRIPTION
6	2	3X16Z	1/4-20 WHIZ NUT
7	2	3X33	1/4 FLAT WASHER, BLACK
8	2	3X00	1/4-20 X 1 1/4 CARRIAGE BOLT
9	2	3X17	1/4-20 LOCK NUT (OPTIONAL)
10	2	3X145	BLACK PASTIC CAP
11	1	G1002	TIMER
12	1	3G5100	SWITCH
13	1	G4901	1 OR 2 KEYS



III. Gun lock switch and timer installation.

- A. We suggest mounting the momentary release button in a concealed location that can be easily reached by the officer, but would be hidden incase an unauthorized entry occurs.
- B. Connect the gun lock wiring as shown in the diagram below.



NOTE: Pro-gard requires the use of a 10 AMP fuse between the power source and gun lock circuit or the warranty will be voided!

IV. Lock Head Operating Instructions

- A. To release, grasp the weapon, but do not pull it against the lid of the gun lock.
- B. While depressing and holding the release button (momentary switch), push and then pull the weapon towards the lid of the gun lock to release it from the lock.

NOTE: One handed operation is possible utilizing the optional 8 second timer. The timer will unlock the lock for 8 seconds following activation of the momentary switch. If the gun is not pulled out of the lock within 8 seconds after activation of the momentary switch, the lock will automatically re-lock.

WARNING: If lid of the lock does not release, press in on the lid to release tension and reactivate the release button (unless timer is still active).

V. Securing the Weapon:

- A. Push weapon firmly and completely into the lock mechanism and firmly close lid.
- B. Check to insure that the lid is locked.
- C. If the lid does not lock, re-seat the weapon firmly and completely into the lock assembly and again apply pressure to the lock lid to seat and re-lock it. **Installation Complete!**