

**INSTALLATION GUIDE**

**GPC4713**

**P1000 TRI-LOCK GUN RACK**

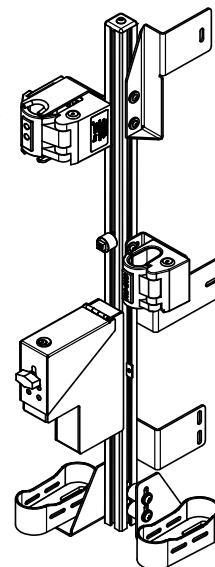
**2013 - CURRENT**

**Pro-gard**<sup>™</sup>  
PRODUCTS LLC.

**STRONG. RELIABLE. SECURE.**

THESE COMPONENTS ARE REQUIRED TO INSTALL  
THE PRO-GARD 4GVPCM4713 P1000 TRI-LOCK GUN RACK

Tri-Lock Gun Rack  
GVM203



**I. Refer to the diagram above to verify all parts were received.**

**II. The following tools will be required to complete the installation:**

- |                           |                             |
|---------------------------|-----------------------------|
| A. 7/16" Socket & Ratchet | D. 5/16" and 3/8" Drill bit |
| B. 5/32" Allen Wrench     | E. 18mm Socket              |
| C. 9/32" Allen Wrench     | F. T-45 Torx Bit            |

**III. Read all instructions carefully before starting the assembly process.**

**NOTE:** *Locate all wiring, fuel lines, brake lines, and /or cooling lines before drilling holes or installing any fasteners.*

#### **IV. Gun Rack Installation**

- A. Loosen the six bolts on the three mounting brackets (3GVM202-03, -05 and -07) using an allen wrench. This allows for adjustments to the brackets to help line it up with the mounting tabs on the P1000 partition.
- B. Carefully insert the gun rack into the vehicle from the front making sure to align the back of the gun rack against the partition and between the center console. It is recommended to have someone else assist in this process. Make sure to not hit the console during this process.
- C. Adjust the mounting brackets of the gun rack to match the positioning of the P1000 partitions, mounting tabs. Once satisfied with the adjustment tighten down the brackets using an allen wrench to avoid sliding during the mounting process.
- D. Remove the whiz nuts holding the poly center divider to the P1000 partition's mounting tabs one at a time starting from the top and working down. Then carefully insert the corresponding gun rack brackets over the bolts sticking through the partition mounting tabs. The top bracket 3GVM202-07 will have a 4G5070P6 spacer between it and the partition tab, along with a longer 3X167 bolt. Resecure them with the removed whiz nuts loosely before moving onto the next bracket. (See Fig. 2 on the next page)

**NOTE:** *When attaching the gun rack to the partition the partition may shift in the process. Make sure the top of the partition is still flush with the head liner before tightening all hardware.*

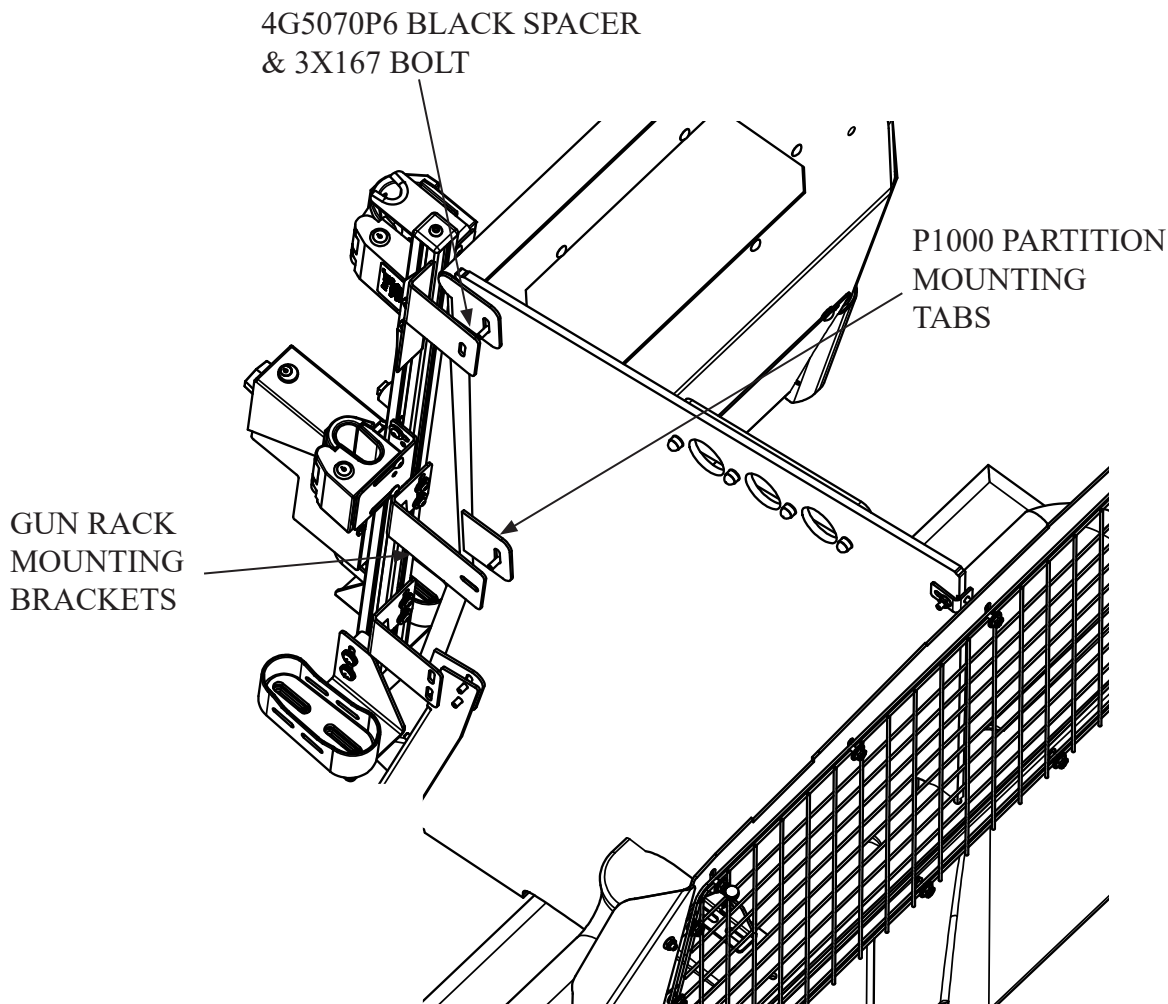


Figure 2.

- E. Once the final bracket is loosely in place, then make any needed fitment adjustments. Once the gun rack is situated in the preferred position tighten all the hardware securely in place.
- F. Adjusting the gun locks on the gun rack may be necessary depending on the size of the firearms being installed in the vehicle. This can be done using an allen wrench in the same fashion as the bracket adjustments.

**NOTE:** *The butt-plate brackets can be adjusted. This can be done using an allen wrench in the same fashion as the bracket adjustments.*

Gun rack installation complete continue on  
the next page for further instructions

## VI. Installing the Tri-Lock gun rack

- A. Place the intended guns into the gun rack and make adjustments to fit. This will allow more access than when the rack is in the vehicle, but the rack can be adjusted after installed inside the vehicle as well.
- B. The brackets mounting the gun lock are designed to be loosened and adjusted in many directions to accommodate most guns. Fit each gun by loosening the bolts on the gun lock bracketry so the mounting bracket moves freely. Place your gun into the lock and in the desired position. Take a allen wrench to tighten locks in place. (See Fig. 3)

**NOTE:** Graphic representation of gun fitment only, not the actual gunrack being used.

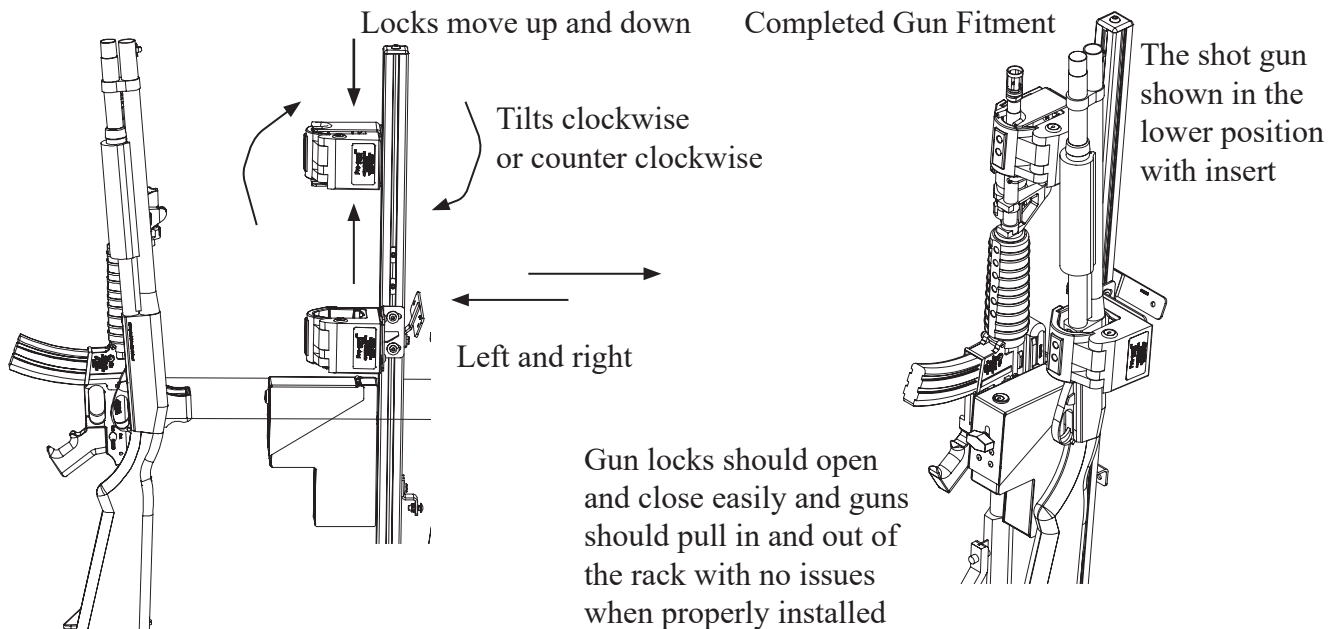


Fig. 3

- C. Shot Gun Mounting - The shot gun can be mounted in two ways, by barrel mount or by installation of the shot gun mount insert. To install the shot gun insert, remove the standard insert by opening the lock and unscrewing the two insert bolts with an allen wrench. Remove the retaining ring from the bolt's back side. Replace with shot gun insert (3G724) and reinstall insert bolts and retaining rings on the back side of the insert. Use the two fastener bolt's adjustment to fit the shot gun used in the lock. (See Fig. 4)

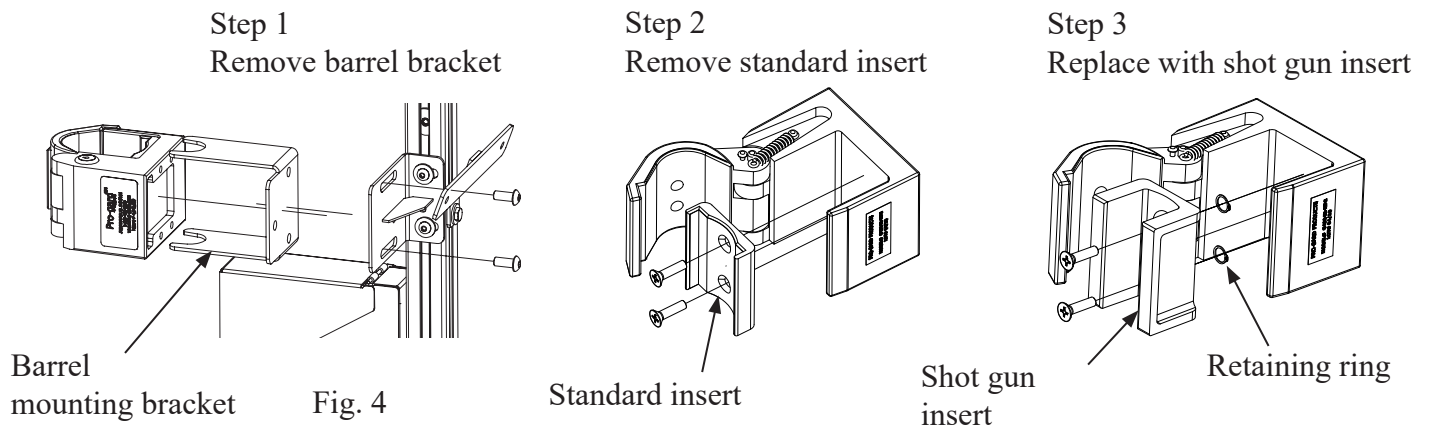


Fig. 4

## VIII. Lock Box

- A. Open the lock box and loosen the bolts with a 7/16" socket and extension wrench to adjust the box up or down as needed. (Swivel attachment is required) Install supplied black felt over bolts when box position has been fixed. (See Fig. 6)

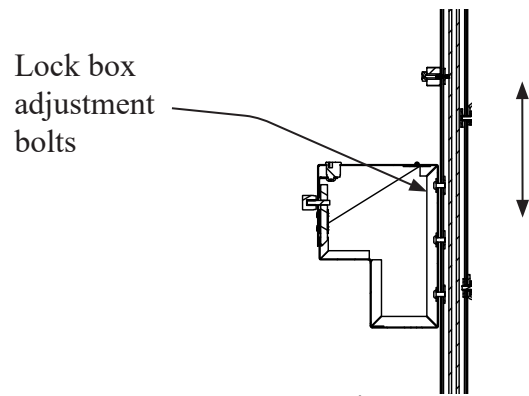


Fig. 6

## IX. Gun lock switch and timer installation.

- A. We suggest mounting the momentary release button in a concealed location that can be easily reached by the officer, but would be hidden in case an unauthorized entry occurs.
- B. Connect the gun lock wiring as shown in the diagram below.

**NOTE:** Pro-gard requires the use of a 10 AMP fuse between the power source and gun lock circuit or the warranty will be voided!

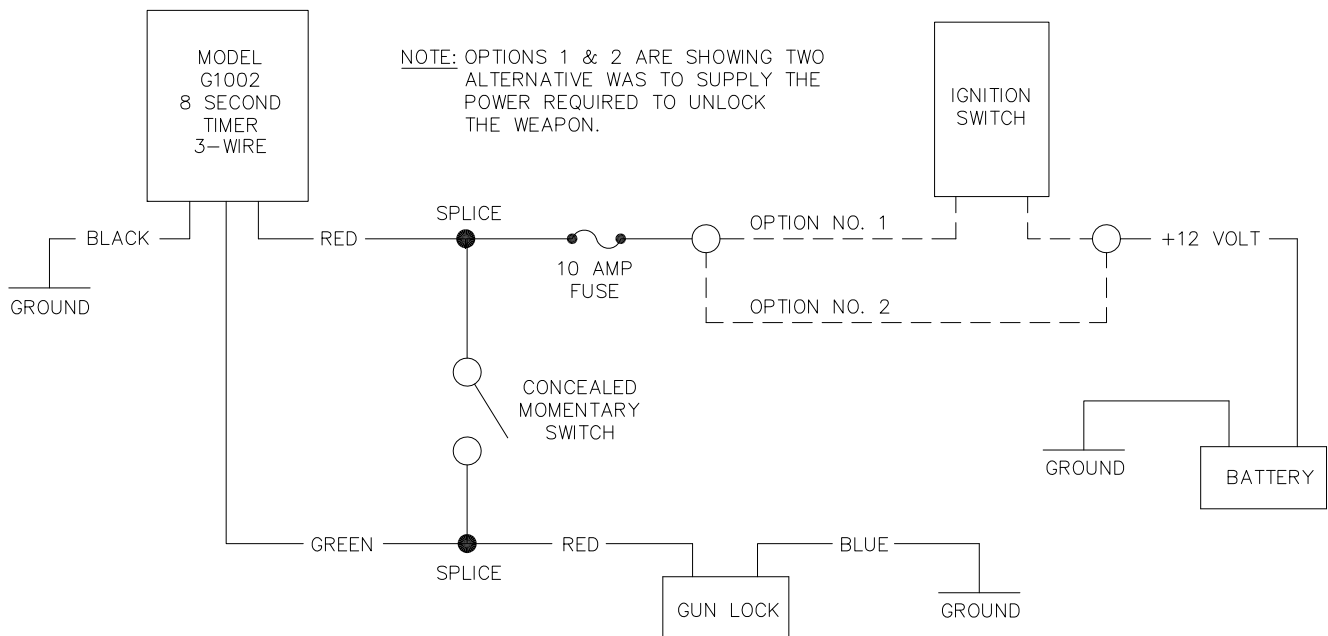


Fig. 7

## **X. Lock Head Operating Instructions**

- A. To release, grasp the weapon, but do not pull it against the lid of the gun lock.
- B. While depressing and holding the release button (momentary switch), push and then pull the weapon towards the lid of the gun lock to release it from the lock.

**NOTE:** *One handed operation is possible utilizing the optional 8 second timer. The timer will unlock the lock for 8 seconds following activation of the momentary switch. If the gun is not pulled out of the lock within 8 seconds after activation of the momentary switch, the lock will automatically re-lock.*

**TIP:** *If lid of the lock does not release, press in on the lid to release tension and reactivate the release button (unless timer is still active).*

### **Installation Complete!**

**If you have any problems with this installation than call the toll free number (800-480-6680) and ask for technical assistance.**

# P1000 Vertical Mounted Tri-Lock Gun Rack

PARTS LIST			
ITEM	QTY	PART NUMBER	DESCRIPTION
1	1	201501-PLAIN	BLACK EXTRUSION CAP
2	2	3G134	RUBBER FOR BARREL MOUNT
3	1	3G135	R LOCK BARREL MOUNT BRACKET
4	1	1515 LITE	1.5" X 1.5" X 38" LG. ALUM EXTRUSION
5	1	3GVM201-02	L-BRACKET WITH GUSSET
6	1	2GVM203-01	UTILITY DRIVER BUTT-PLATE BRACKET
7	1	3GVM202-03	Center Support Bracket Weldment
8	1	3GVM202-05	BOTTOM SUPPORT BRACKET WELDMENT
9	1	3GVM202-07	TOP RACK, PARTITION BRACKET
10	2	3X07	1/4-20 X 1-3/4 PHIL TRUSS HD
11	27	3X12	1/4 FLAT WASHER, BLACK
12	4	3X149	5/16-18 X 3/4 BSHCS, BK
13	4	3X16	1/4-20 WHIZ NUT
14	12	3X184	1/4-20x0.75, SBHCS, BLACK OXIDE
15	18	3X234	1/4-20X1.14 TAB WELD NUT
16	1	3X235	5/16-18X5/16" LG BSHCS, BK
17	1	3X242	STEEL ALLOY, FL HD SOC CAP SCREW
18	1	4G5070P2	.750 BLK SPACER
19	2	4G5070P3	1.00 Black Spacer
20	1	4GLB02-01	PISTOL LOCK BOX
21	7	3X258	1/4-20x1/2 Hex Soc Button HD Cap Screw
22	1	G4904X	H-STYLE GUN LOCK
23	1	G4904R-NPG	R-STYLE GUN LOCK
24	2	3G4962-002	BUTT PLATE BLACK NYLON
25	1	2GVM202-02	PASSENGER BUTT-PLATE BRACKET
26	1	NB020-TH	Neodymium Magnets
27	1	2GVM201-006	L-BRACKET WITHOUT GUSSET
28	2	3G4963-002	RUBBER BUTT PLATE PAD
29	3	3X82	1/4-20 X 1 CARRIAGE BOLT
30	1	4G5070P6	.5 blk spacer
31	1	3X167	1/4" -20 X 1 1/2 NC

