

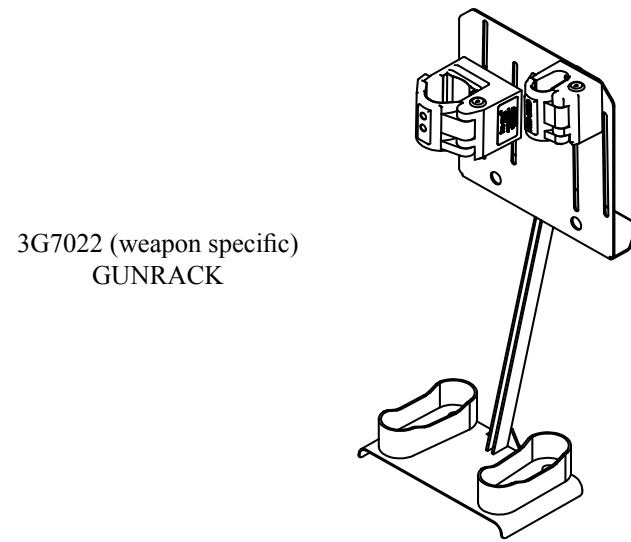
INSTALLATION GUIDE
GUN RACK MOUNT
7022 SERIES

Pro-gard[™]
PRODUCTS LLC.

STRONG | RELIABLE | SECURE

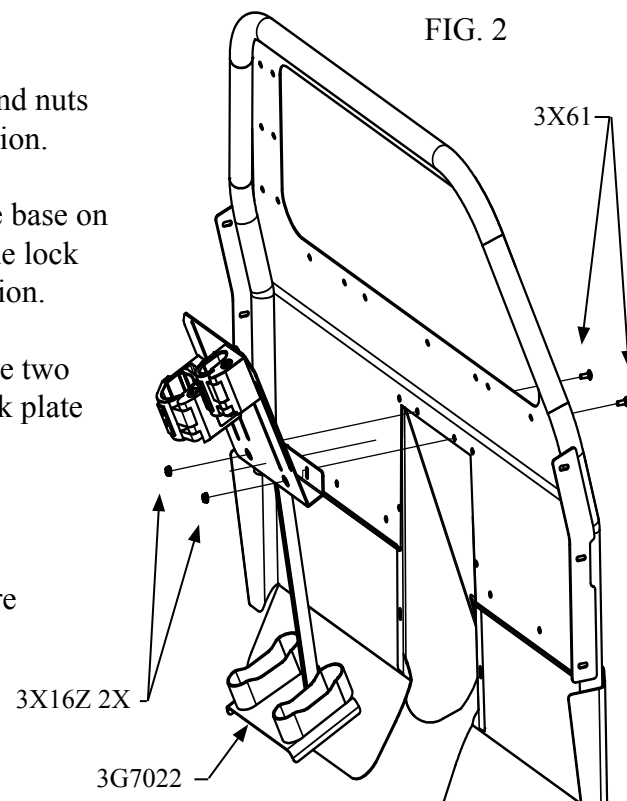
pro-gard.com
800.480.6680

THESE COMPONENTS ARE REQUIRED
TO INSTALL THE PRO-GARD 7022 SERIES GUN RACK SYSTEM



- I. Refer to the diagram on the last page of these instructions to verify all parts were received.
- II. Tools Required:
 - A. 7/16" socket wrench (1/4" or 3/8" drive preferred)
- III. Read all instructions carefully before beginning the installation process.
- IV. Gun Rack Installation

- A. Remove the top two center carriage bolts and nuts attaching the space saver panel to the partition.
- B. Place the gun rack in the vehicle resting the base on the drive shaft tunnel. Align the holes on the lock plate with the two empty holes in the partition.
- C. Use the supplied carriage bolts, 3X61 and the two previously removed nuts and attach the lock plate to the partition.
- D. Tighten both bolts.
- E. Adjust Lock Heads and Butt Plates to insure best weapon fitment.



- V. Gun Lock Momentary Switch and Timer Installation
 - A. Mount the release button (momentary switch) in a concealed location that can be reached easily by the officer, while holding on to the weapon.
 - B. Connect the red lead of the gun lock to one side of the release button (momentary switch) and the green wire from the timer. It will be necessary to add appropriate gauge wire to accomplish this.
 - C. Connect a wire lead from the other side of the release button (momentary switch) to the red wire from the timer and either a switched or un-switched power source on the fuse block. This will allow the lock to operate with the ignition key on, or off, respectively.
 - D. Pro-Gard suggests installing a 10 AMP fuse between momentary switch and power source. This must be done or you will void your warranty!
 - E. Connect the blue lead of the gun lock to AC chassis ground. Do not connect to the factory aftermarket grounding post with other auxiliary equipment. It will be necessary to add wire to accomplish this.

VI. Lock Head Operating Instructions

To release the weapon:

- A. Grasp the weapon, but do not pull it against the lid of the gun lock.
- B. While depressing and holding the release button (momentary switch), push and then pull the weapon towards the lid of the gun lock to release it from the lock.

Note: One handed operation is possible utilizing the optional 8 second timer. The timer will unlock the lock for 8 seconds following activation of the momentary switch. If the gun is not pulled out of the lock within 8 seconds after activation of the momentary switch, the lock will automatically re-lock.

Important: If lid of the lock does not release, press in on the lid to release tension and reactivate the release button (unless timer is still active).

Securing the Weapon:

- A. Push weapon firmly and completely into the lock mechanism and firmly close lid.
- B. Check to insure that the lid is locked.
- C. If the lid does not lock, re-seat the weapon firmly and completely into the lock assembly and again apply rm pressure to the lock lid to seat and re-lock it.

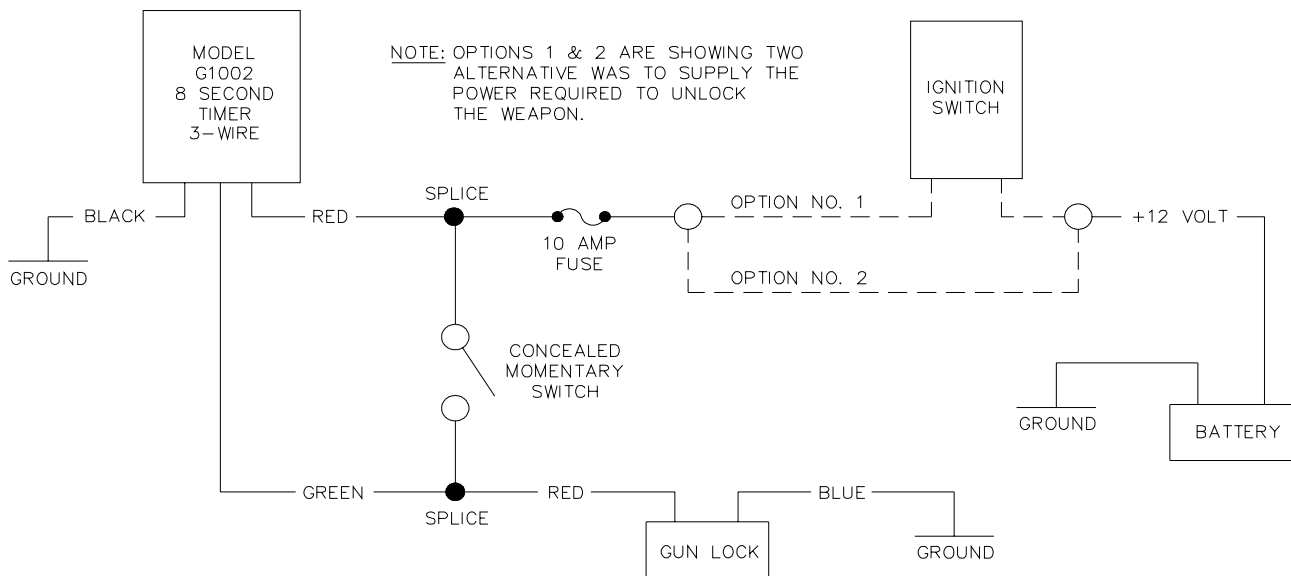
Note: The G4904 Series lock mechanism has a unique override. In the event of power failure, the lock can be opened using a standard handcuff key or other high security key.

To open the lock with the manual override key:

- A. Fully insert the handcuff key into the hole provided in the lock head. Turn the key 1/4 turn to the left (counter-clockwise). Pull open the lid or pull on the weapon to open it.

Important: Return the key to its original position or remove key completely to close and re-lock the lock.

VI. Installing Optional 8 second timer (3-Wire)



Note: If for any reason the gun lock momentary switch remains activated, such as, the button is damaged, and/or shorted, the unit will time out in 8 seconds and can not be operated again until the defective switch is repaired, thus saving the gun lock solenoid. Do not connect directly to power for more than 20 seconds!

VIII. Installation Complete