

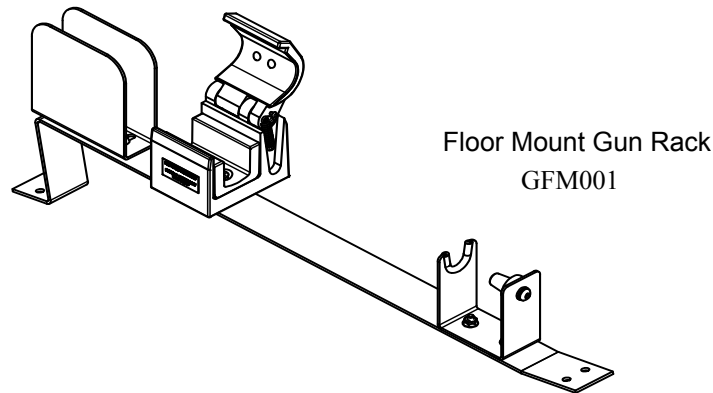
**INSTALLATION GUIDE**  
GFM001  
FLOOR MOUNT GUN RACK

**Pro-gard**<sup>™</sup>  
PRODUCTS LLC.

STRONG | RELIABLE | SECURE

**pro-gard.com**  
**800.480.6680**

THESE COMPONENTS ARE REQUIRED  
TO INSTALL THE LESS-LETHAL, FLOOR MOUNT GUN RACK



**I. The following tools will be required to complete the installation.**

- A. 3/8" Screw Gun
- B. Self-Tapping Screws

**II. Read all instructions carefully and refer to page 4 to ensure all parts were received.**

**WARNING:** *Locate All wiring, fuel lines, brake lines, coolant lines, or reffridgerant lines before drilling any holes or installing any self-drilling fasteners.*

**III. Adjusting the rack to fit the intended firearm.**

- A. Place the intended guns into the gun rack and make adjustments to fit. This will allow more access than when the rack is in the vehicle, but the rack can be adjusted after installed inside the vehicle as well.
- B. The brackets mounting the gun lock are designed to be loosened and adjusted in many directions to accomodate most guns. Fit each gun by loosening the bolts on the gun lock bracketry so the mounting bracket moves freely. Place your gun into the lock and in the desired position. Take a allen wrench to tighten locks in place.

**IV. Attaching gun rack to the floor.**

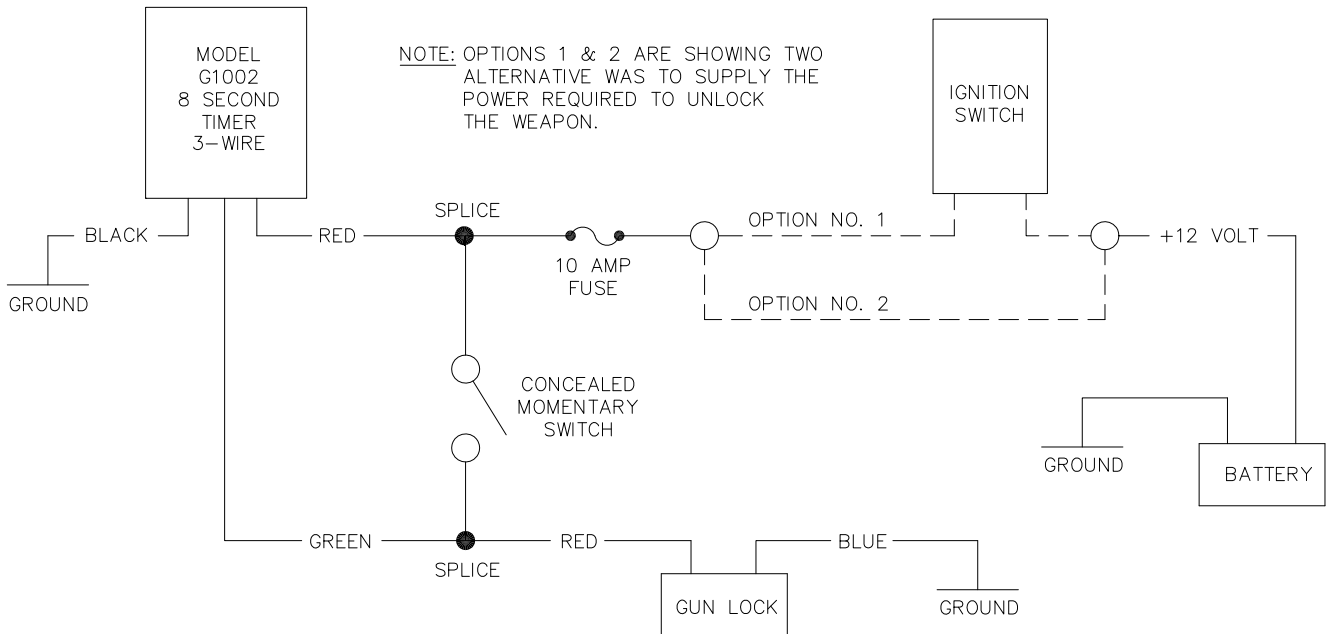
- A. Once the gun rack has been adjusted to the intended firearm place the gun rack in the desired area for mounting using self-tapping screws. Using a marker, mark the areas where the screws will go by using the holes in the gun rack as a stencil. Make sure all wires and lines are away from the area of drilling.
- B. Carefully begin drilling using the self-tapping screws to mount the gun rack in the intended position.

- C. Once mounted securely in the appropriate position, then test the rack by placing the intended firearm in the rack. Make any adjustments that may be needed accordingly.

## V. Gun lock switch and timer installation.

- A. We suggest mounting the momentary release button in a concealed location that can be easily reached by the officer, but would be hidden in case an unauthorized entry occurs.
- B. Connect the gun lock wiring as shown in the diagram below. Connect the gun lock wiring as shown in the diagram below.

Fig. 2



**NOTE:** Pro-gard requires the use of a 10 AMP fuse between the power source and gun lock circuit or the warranty will be voided!

## IV. Lock head operating instructions

- A. To release, grasp the weapon, but do not pull it against the lid of the gun lock.
- B. While depressing and holding the release button (momentary switch), push and then pull the weapon towards the lid of the gun lock to release it from the lock.

# NOTE:

One handed operation is possible utilizing the optional 8 second timer. The timer will unlock the lock for 8 seconds following activation of the momentary switch. If the gun is not pulled out of the lock within 8 seconds after activation of the momentary switch, the lock will automatically re-lock.

# TIP:

If lid of the lock does not release, press in on the lid to release tension and reactivate the release button (unless timer is still active).

## Installation complete!

Call Pro-gard technical support if assistance is needed. 1-800-480-6680

PARTS LIST			
ITEM	QTY	PART NUMBER	DESCRIPTION
1	1	3G137	FLOOR MOUNT FRAME
2	1	3G136	FLOOR MOUNT BARREL BRACKET
3	1	3G138	12GA BARREL PIN
4	1	3G5121	TRIGGER GUARD
5	1	G4904X	GUN LOCK
6	4	3X03	1/4-20 X 5/8 PHIL TRUSS HD MS
7	4	3X16	1/4-20 WHIZ NUT
8	1	3R50109	RUBBER LINING
9	1	3X149	5/16-18 X 3/4 BSHCS, BK
10	1	3X58	5/16" Wshr Split Lock, Zn/C
11	1	3G5118	BLACK FELT, NOT SHOWN

