

INSTALLATION GUIDE

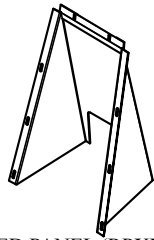
**LOWER EXTENSION PANELS
AND RECESSED PANEL**

Pro-gard[™]
PRODUCTS LLC.

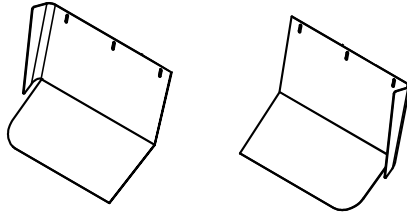
STRONG | RELIABLE | SECURE

pro-gard.com
800.480.6680

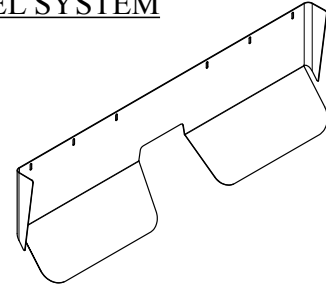
THESE COMPONENTS ARE REQUIRED
TO INSTALL THE PRO-GARD RECESSED PANEL SYSTEM



RECESSED PANEL (RPXXXX-XX)



LOWER EXTENSION PANELS (SPXXXX-XXP & D)



STANDARD LOWER EXTENSION PANEL

I. The following tools will be required to complete the installation.

- A. 1/4" or 3/8" drive ratchet with 7/16" socket
- B. 7/16" combination or box end wrench

II. Read all instructions carefully before starting the assembly process.

III. Choose the correct instructions below your application

IV. Installing the Recessed Panel

- A. Remove the Center Panel from the Partition Assembly, retaining the hardware. Install the optional Recessed Panel (RPXXXX) (See Fig. 1)

V. Installing the Lower Extension Panels

- B. Place the seat protectors (SPXXXX-XXP & D) against the back side of the partition with the bent portion angling forward under the back of the front seats. (See Fig 2).
- C. Adjust the height of the seat protector to the desired fit with the floor covering or Pro-gard Floor Pan. Attach with the supplied 1/4" x 5/8" (3X36) carriage bolts and 1/4-20 (3X16Z) whiz nuts. See Fig. 3

VI. Standard Installation

- A. Place the seat protector (3SPXXXX-0X Vehicle specific) against the back side of the partition with the bent portion angling forward under the back of the front seats. (See Fig. 1)
- B. Adjust the height of the seat protector to the desired fit with the floor covering or Pro-gard Floor Pan. Attach with the supplied 1/4" x 5/8" (3X36) carriage bolts and 1/4-20 (3X16Z) whiz nuts.

Fig. 1

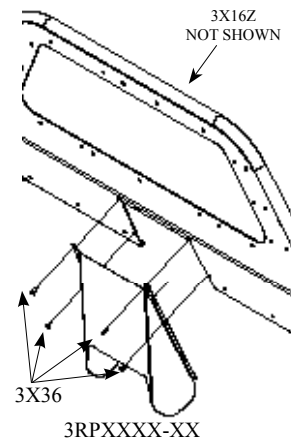


Fig. 2

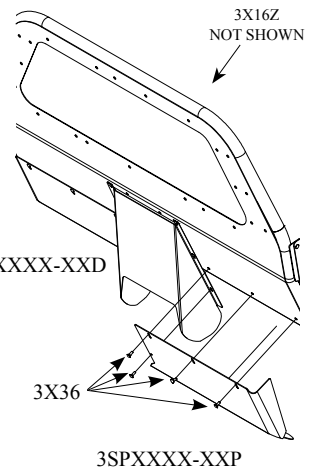


Fig. 3

