

INSTALLATION GUIDE

CSC47UINT13OEM

CARGO SECURITY COVER

2016 - 2019

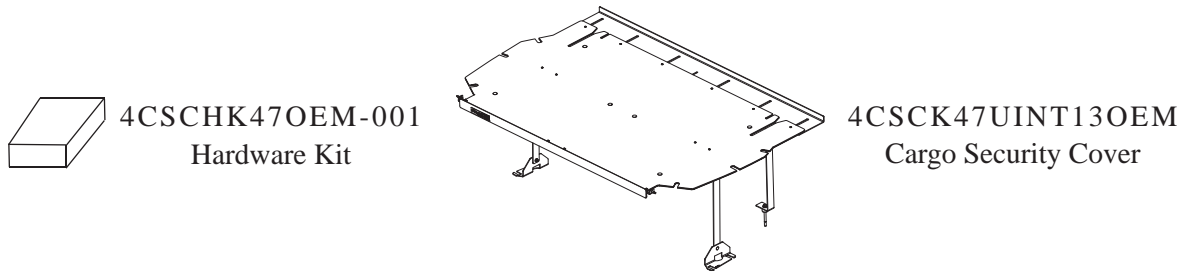
UTILITY INTERCEPTOR

Pro-gard[™]
PRODUCTS LLC.

STRONG | RELIABLE | SECURE

pro-gard.com
800.480.6680

THESE COMPONENTS ARE REQUIRED
TO INSTALL THE PRO-GARD OEM CARGO SECURITY COVER



I. Refer to the diagram above to verify all parts were received.

II. The following tools will be required to complete the installation:

1. 7/16" Socket
2. Phillips Screwdriver

III. Read all instructions carefully before starting the assembly process.

NOTE: *Locate all wiring, fuel lines, brake lines, and /or cooling lines before drilling holes or installing any fasteners.*

NOTE: *If installing with the barrier with poly window replace screws with 3X03 screws provided.*

IV. Rear Mounting Bracket Installation

- A. Remove the Driver OEM Rear Pocket Trim Panel, located on the Rear Quarter Trim, just below the Upper Contents Tray. Loosen the two 15mm bolt heads that secure the Cross Member Bracket. (See FIG. 1)
- B. Place the Driver's Rear Mounting Bracket (3B4713-02D) under the two bolts and slide the rear mounting bracket in as far as it will go.
- C. Repeat for Passenger Side using Passenger's Rear Mounting Bracket (3B4713-02P)

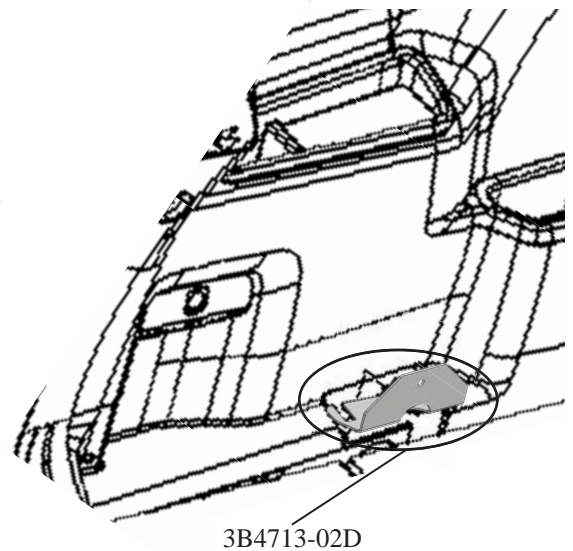


Figure 1

V. Bracket Installation

- A. Attach bracket 3CSC4716-13 using an OEM hole location on the driver side using a 4G5070P11 Plastic Spacer underneath the bracket, then use the 3X155 bolt and 3X228 Washer to secure the bracket and spacer in place. Repeat on the Passenger side.
- B. Loosely attach bracket 3CSC4716-05 on the passenger side using the hole location in 3B4713-02P as seen in Figure 1. Make sure the bracket is placed in the inner-most position, and secure it with the provided 3X36 bolt and 3X16Z nut. Repeat on the driver side.
- C. Brackets 2CSC4716-03 are installed in place of the rear cargo hooks using a 3X110 self-drilling screw as shown in Figure 2.

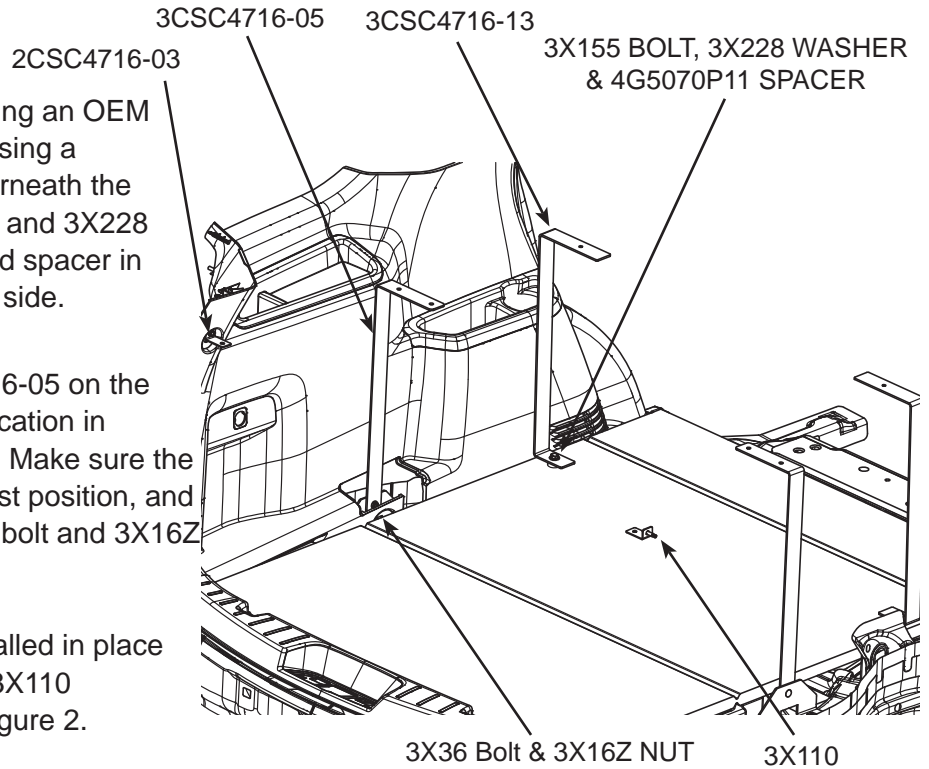


Figure 2

- D. Now place the rear cross member 3CSC4716-04 into place over the tops of brackets 3CSC4716-03, making sure that the holes on each side of the parts align with one another. See Figure 3.

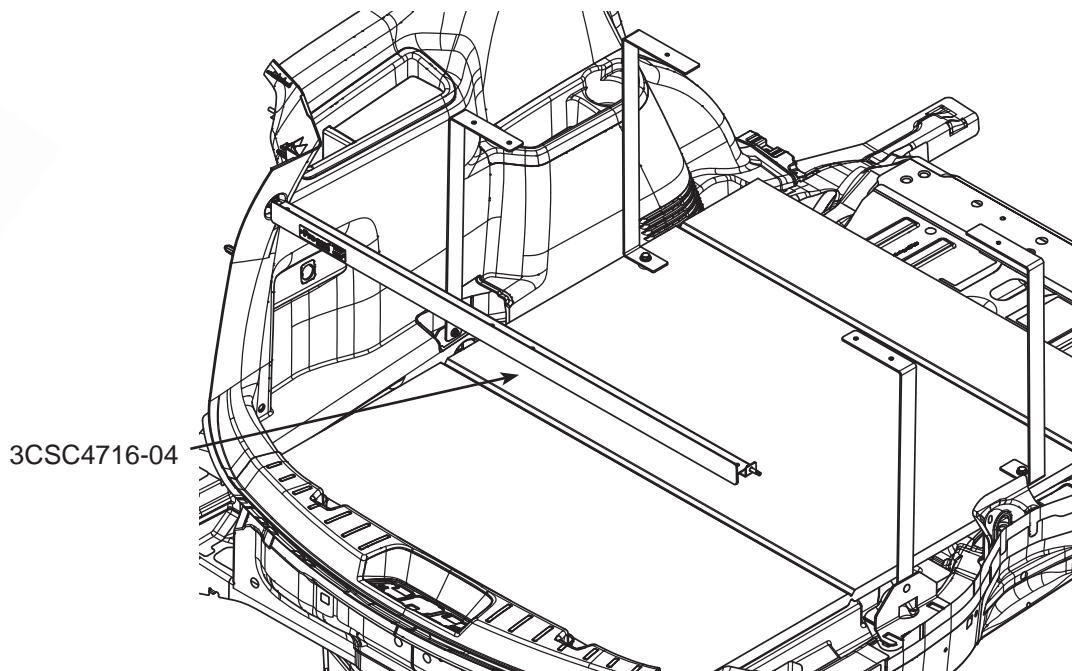


Figure 3

IV. Cargo Cover Installation

- A. Place the 3CSC4716-01 cargo shelf into place over the brackets and cross members on the driver side. Adjust the shelf so that the pre-drilled holes line up with the holes in the bracket and cross members that were aligned in the previous step. Then using 3X03 bolts secure the shelf in place threading the bolts into weldnuts on the brackets using the aligned hole locations. There are a few holes that require a 3X16 nut, instead of a weldnut. Repeat on the passenger side using the 3CSC4716-02 cargo shelf. See Figure 4.

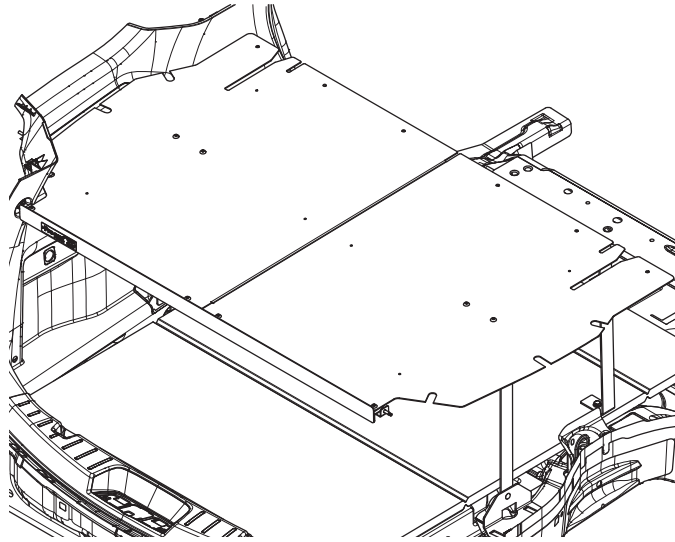


Figure 4

- B. Slide the 3CSC4716-15 Shelf Extender into place between shelves 3CSC4716-01 & 02 and brackets 3CSC4716-13. Align the slots of 3CSC4716-15 with the corresponding holes in the shelves and brackets. Loosely secure them with the 3X03 bolts threading them into weldnuts on the brackets using the aligned hole locations. There are a few holes that require a 3X16 nut, instead of a weldnut. Adjust the shelf extender to the desired location, then tighten all fasteners securely. See Figure 5.

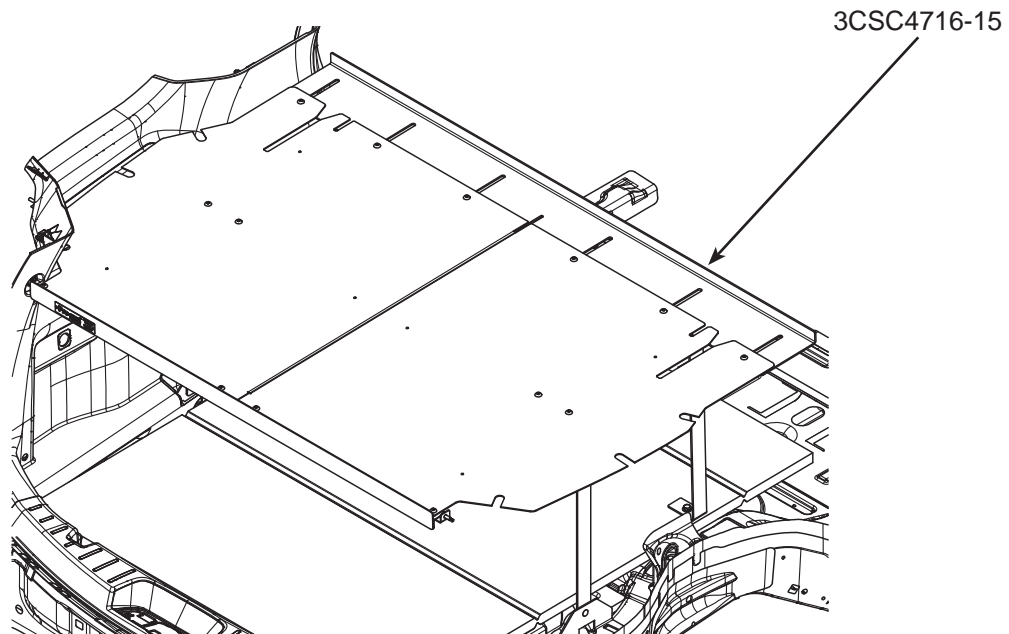


Figure 5

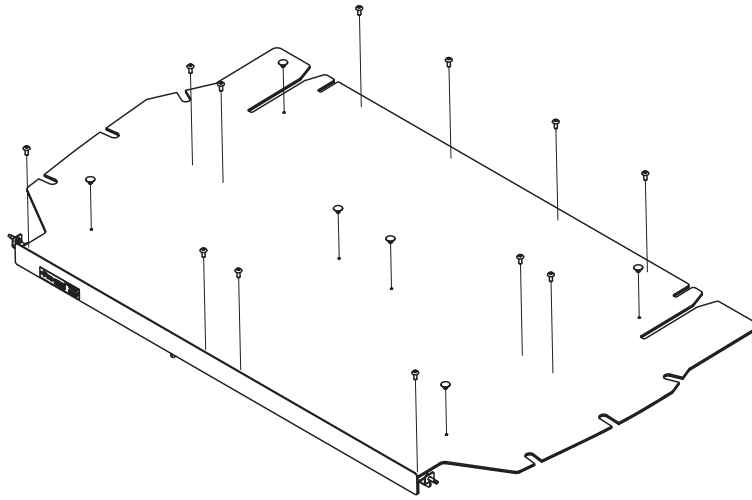
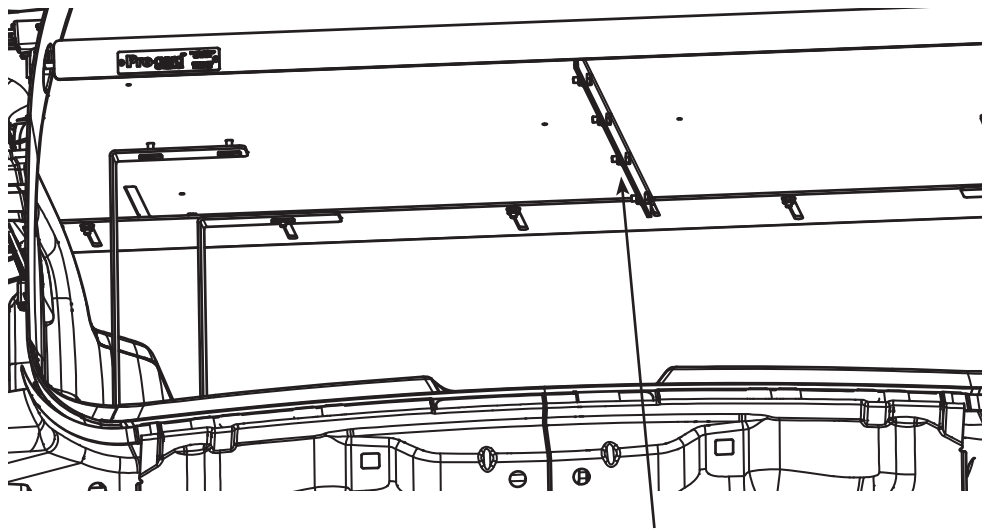


Figure 6

C. Place the 3CSC4716-09 rubber mat on top of the shelf aligning the shape of the mat with the shape of the shelves. In all of the remaining hole locations on the top of the shelf and in the rubber mat, insert the 3X246 push-in nylon rivets. These help further hold the rubber mat in place. See Figure 6.

D. On the under side of the shelves there are two tabs that need to be secured together. Line up the holes in the tabs and secure the two shelf halves together using 3X04 bolts and 3X16 nuts. See Figure 7.



3X04 & 3X16

Figure 7

Installation complete!

If you have any problems with this installation then call the toll free number (800-480-6680) and ask for technical assistance.

PARTS LIST			
ITEM	QTY	PART NUMBER	DESCRIPTION
1	2	2CSC4716-03	SHELF SUPPORT BRACKET
2	1	3CSC4716-15	SHELF EXTENDER
3	1	3CSC4716-01	UI CARGO SHELF DS
4	1	3CSC4716-02	UI CARGO SHELF PS
5	1	3CSC4716-04	REAR CROSS MEMBER ASSY
6	2	3CSC4716-05	CENTER SUPPORT ASSY
7	1	3CSC4716-09	NEOPRENE MAT UJINT
8	2	3CSC4716-13	REAR SHELF SUPPORT BRACKET
9	14	3X03	1/4-20 X 5/8 PHIL TRUSS HD MS
10	4	3X04	1/4-20 x 5/8" HHMS, BLK
11	2	3X110	1/4"-14x1" SELF DRILLING SCREW
12	10	3X16	1/4-20 WHIZ NUT
13	6	3X246	PUSH-IN NYLON RIVET, BLACK
14	2	3X155	M8-1.25x100, HEX HD CAP SCREW 8.8, BLACK
15	2	3X228	3/8" SPLIT LOCK WASHER, BLACK
16	2	4G5070P11	5/8" BLACK PLASTIC SPACER
17	1	3B4713-02P	BARRIER MOUNT BRACKET, REAR PASSENGER
18	1	3B4713-02D	BARRIER MOUNT BRACKET, REAR, DRIVER
19	2	3X36	1/4-20 X 5/8 CARRIAGE BOLT
20	2	3X16Z	1/4-20 WHIZ NUT

