

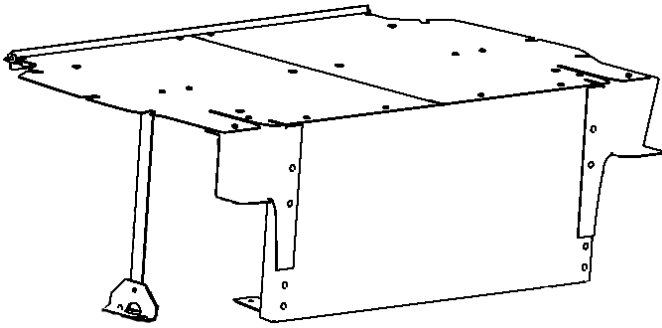
INSTALLATION GUIDE

**2013-2019 UTILITY INTERCEPTOR
CARGO SECURITY COVER—STAND ALONE
CSC4713S**

Pro-gardTM
PRODUCTS LLC.

STRONG. RELIABLE. SECURE.

**THESE COMPONENTS ARE REQUIRED
TO INSTALL THE OUTBOARD SEATBELTS**



Stand Alone Cargo Security Cover System
Part #4CSC4713S



Part #4CSCHK4713S-01

I. The following tools will be required to complete the installation

- A. 7/16, & 13mm Sockets B. 15mm Deep Well Socket C. Phillips Screwdriver

II. Read all instructions and refer to last page to ensure all parts were received

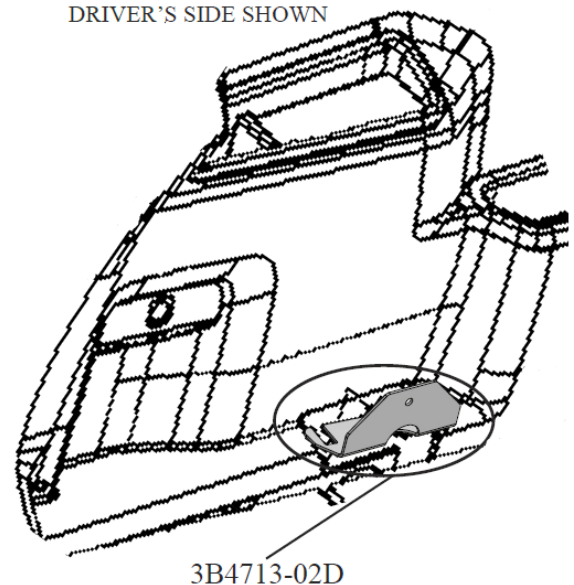
PQVG *It may be helpful to assemble fasteners loosely to allow for part alignment, then tighten fully after all parts are assembled.*

YCTPI *Locate All wiring, fuel lines, brake lines, coolant lines, or refrigerant lines before drilling any holes or installing any self-drilling fasteners.*

III. Rear Mounting Bracket Installation

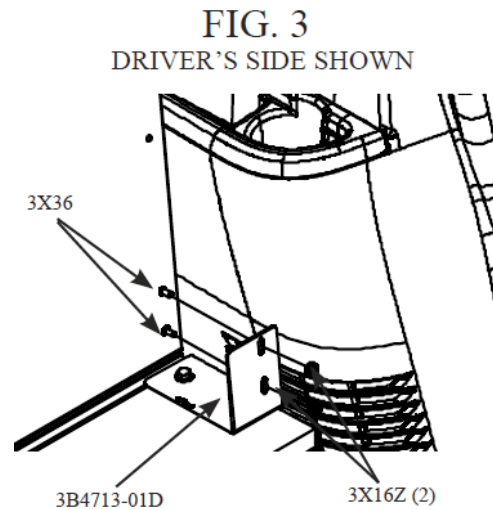
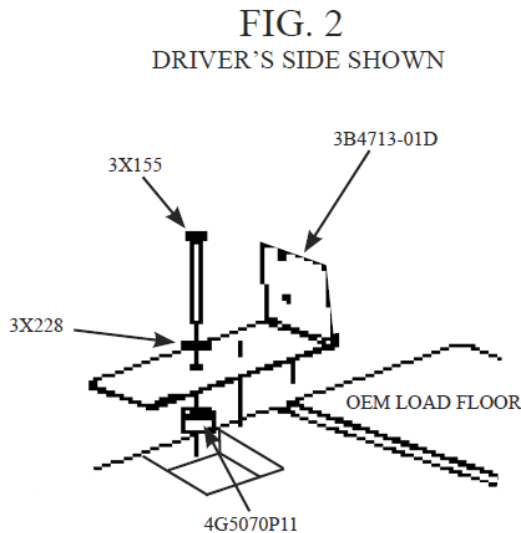
- A. Remove the lower trim piece from the driver's side interior cargo panel (located at the rear quarter).
Loosen the two 15mm OEM bolts that secure the cross member bracket.
- B. Place the driver's side rear mounting bracket (3B4713-02D) under the two bolts (FIG. 1) and slide the bracket in as far as it will go.. Retighten the 15mm bolts.
- C. Repeat for passenger side using passenger side rear bracket (3B4713-02P).

FIG 1.
DRIVER'S SIDE SHOWN



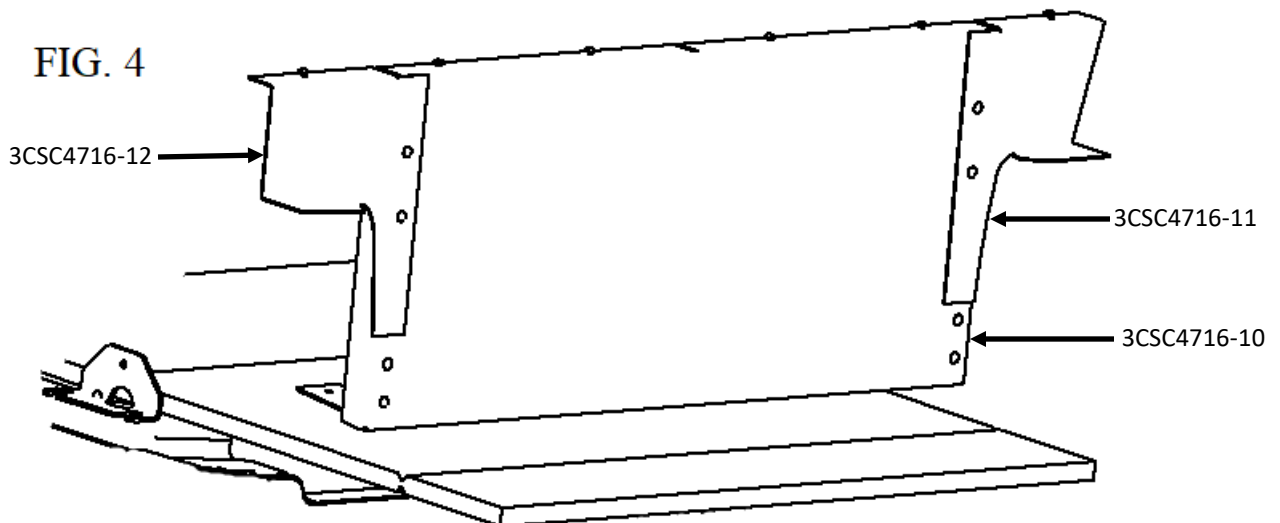
IV. Front Mounting Bracket Installation

- A. Locate the two bolts that secure the load floor to the vehicle, remove the OEM bolt, and leave the OEM spacer in the load floor. Install the (4G5070P11) black spacer that is supplied with the hardware kit. Place the front mounting bracket (3B4713-01D) on top of the load floor and use the supplied bolt (3X155) and lock washer (3X194) to secure the bracket.
- B. Repeat for the passenger side using the passenger side front mounting bracket (3X4713-01P).



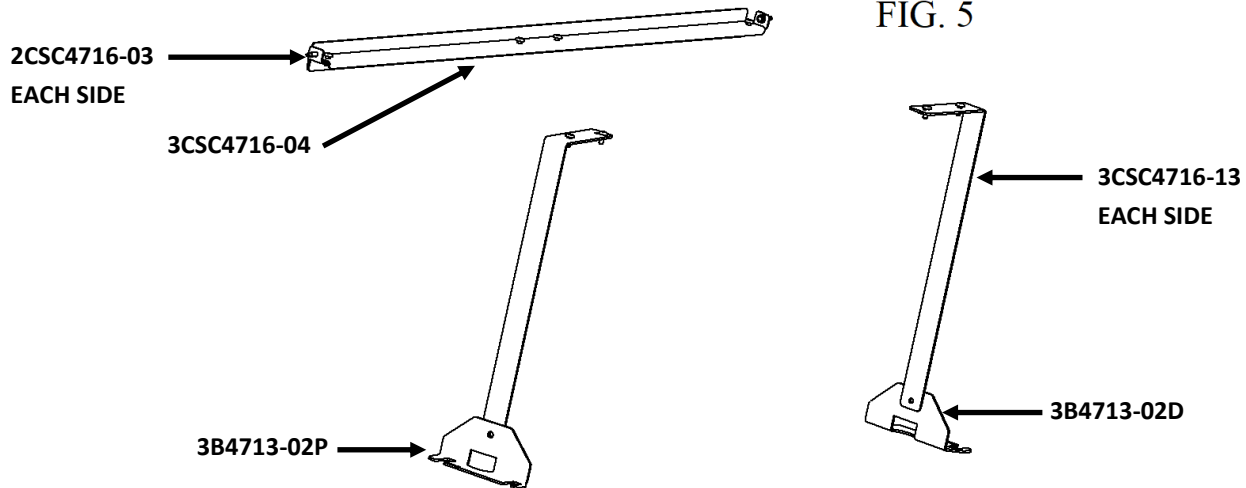
V. Front Main Panel Installation

- A. Place the front main panel (3CSC4716-10) on the load floor with the flat surface against the front mounting brackets, then fasten the barrier to the brackets using two (3X36) carriage bolts and two (3X16Z) whiz nuts on each side.
- B. Fasten the driver's side wing (3CSC4716-11) and passenger side wing (3CSC4716-12) to each side of the main panel using two (3X36) carriage bolts and two (3X16Z) whiz nuts on each side (FIG. 4)



V. Install Supporting Brackets

- A. Attach (3CSC4716-13) rear shelf support bracket to the inside surface of the (3B4713-02P) rear mounting bracket using (3X36) carriage bolt and (3X16Z) whiz nut. Repeat operation for the driver's side bracket. E
- B. Attach a (2CSC4716-03) shelf support bracket to each side in place of the rear cargo hooks using (3X110) self-drilling screw.
- C. Place the (3CSC4716-04) rear cross member into place over the tops of the (2CSC4716-03) shelf support brackets.



VI. Cargo Cover Installation

- A. Place (3CSC4716-01) cargo shelf into place over the front main panel, rear shelf support bracket, and rear cross member on the driver's side. Insert two (3X61) carriage bolts through the leading edge of the shelf and top of front main panel, and one (3X61) carriage bolt through the shelf and through the driver's side wing. Fasten the bolts with three (3X16Z) whiz nuts.
- B. Insert two (3X03) truss head Phillips screws through the cargo shelf and screw into the rear shelf support bracket. Place another two through the cargo shelf into the rear cross member and fasten. Outer cross member screws will require a (3X16Z) whiz nut underneath.
- C. Place the (3CSC4716-02) cargo shelf in place on the passenger side, and repeat previous two operations.
- D. Fasten shelf halves together underneath using four (3X04) bolts and (3X16) whiz nuts.
- E. Place the 3CSC4716-09 rubber mat on top of the assembled cargo shelf and align with edges and remaining through holes. Insert provided (3X246) push-in nylon rivets into the holes to secure rubber mat.

Installation complete

If you have any problems with this installation or have any questions please call (800-480-6680) and ask for technical assistance.

PARTS LIST			
ITEM	QTY	PART NUMBER	DESCRIPTION
1	1	3CGC4716-10	PANEL, UTILITY CSCS FRONT
2	1	3CGC4716-12	WING, UTILITY CSC PS
3	1	3CGC4716-11	WING, UTILITY CSC DS
4	1	3B4713-01P	MNT, BARRIER FR PS UJNT
5	1	3B4713-01D	MNT, BARRIER FR DS UJNT
6	8	3X36	1/4-20 X 5/8 CARRIAGE BOLT
7	2	4G5070P11	SPACER, PLASTIC BLACK 5/8"
8	4	3X155	**Varies*
9	14	3X16Z	1/4-20 LARGE HEX WHIZ NUT-ZINC
10	1	3CGC4716-01	UI CARGO SHELF DS
11	1	3CGC4716-02	UI CARGO SHELF PS
12	2	3CGC4716-05	CENTER SUPPORT ASSY
13	1	3CGC4716-04	REAR CROSS MEMBER ASSY
14	6	3X61	1/4-20 X 3/4 CARRIAGE BOLT
15	8	3X03	1/4-20 X 5/8 PHIL TRUSS HD PS
16	2	2CGC4716-03	SHELF SUPPT BRACKET
17	4	3X04	1/4-20 X 5/8 HEX HD CAP SCR, BLK (NOT SHOWN)
18	4	3X16	1/4-20 HEX WHIZ NUT, BLK (NOT SHOWN)
19	2	3X110	1/4"-14x1" SELF DRILLING SCREW
20	1	3B4713-02D	BARRIER REAR MT BRKT DRJ UJNT
21	1	3B4713-02P	BARRIER REAR MT BRKT PASS UJNT
22	2	3X299	5/16-18 X .75 HHCS GR5 ZN
23	2	3X166	5/16-18 LARGE HEX WHIZ NUT-ZINC
24	2	3CGC4716-09	NEOPRENE MAT UJNT
25	6	3X246	PUSH-IN NYLON RIVET, BLACK

