

INSTALLATION GUIDE

BDP57T15

BALLISTIC DOOR PANEL

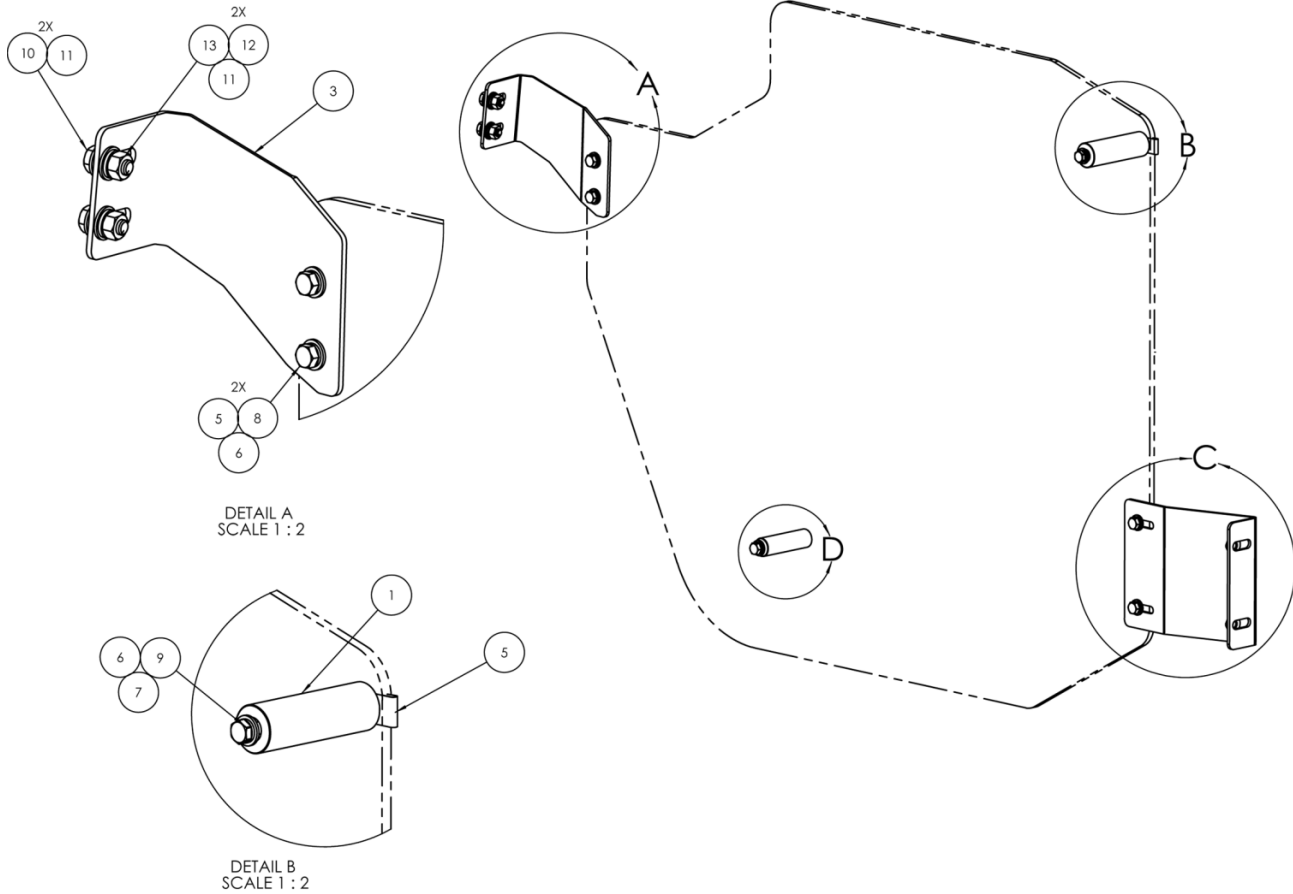
2015-2020 CHEVROLET TAHOE

Pro-gard[™]
PRODUCTS LLC.

STRONG. RELIABLE. SECURE.

pro-gard.com
800.480.6680

Components List (Drivers Side Panel Install)

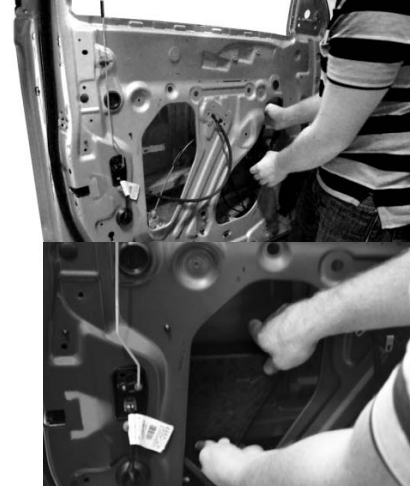


ITEM NO.	DESCRIPTION	QTY.
14	M8-1.25 HEX NUT	2
13	5/16-18 HEX NUT	2
12	5/16 LOCK WASHER, (.322/-.583/.078 min), STD SPRING LOCK	2
11	5/16 SAE FLAT WASHER, (.344/-.688/.055-.080)	6
10	5/16-18 X 3/4 HHCS, FULLY THREADED	2
9	1/4-20 X 4 HHCS	1
8	1/4-20 X 3/4 HHCS	5
7	1/4 LOCK WASHER, (.260/-.487/.062 min), STD SPRING LOCK	6
6	1/4 SAE FLAT WASHER, (.281/-.625/-.055-.072)	6
5	CLIP NUT 1/4-20 THRD.	5
4	LOWER THREADED SPACER	1
3	UPPER REAR BRACKET, DS	1
2	LOWER HINGE BRACKET	1
1	UPPER SPACER	1

Installation Instructions

1. Remove the inner door plastic panel and padding to prepare for the BDP Install by completing the following steps:

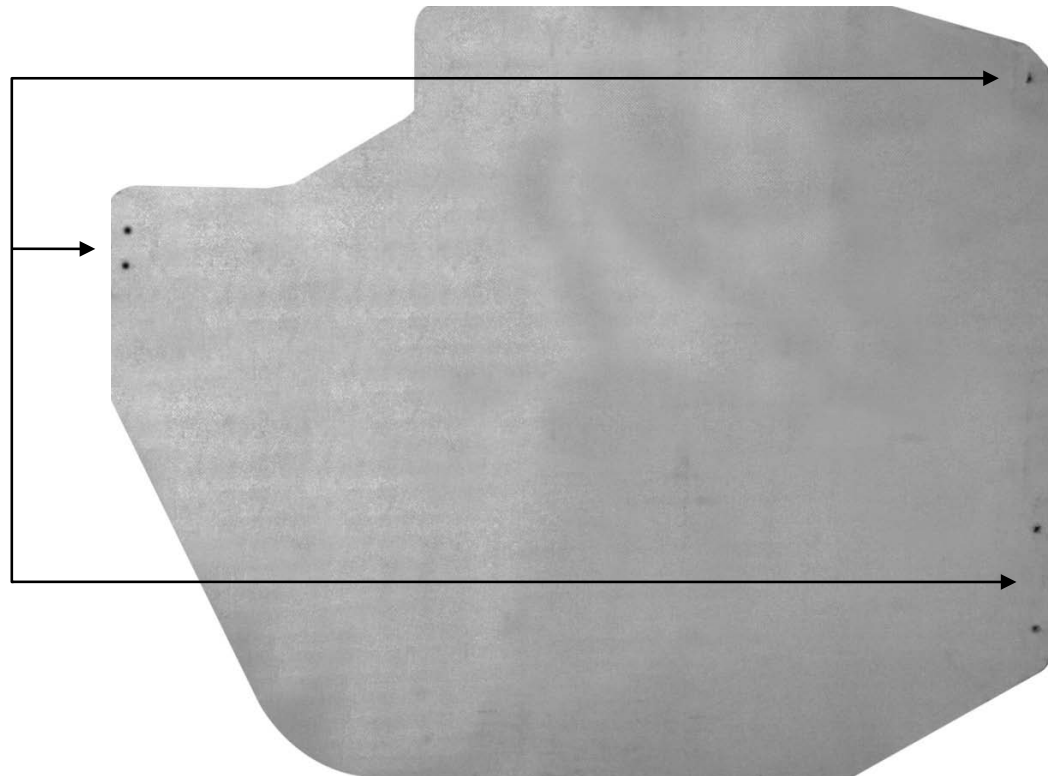
- a. Remove the door panel bolts and pull the plastic panel away careful of the plastic clips.
- b. Remove the interior handle brace.
- c. Remove the interior seal cover.
- d. Disconnect the speaker and door and window motor control panel connectors from the plastic door panel.
- e. Remove the speaker.
- f. Remove the rubber seal from window track.
- g. Remove the interior and exterior window trim.
- h. Disconnect and remove the mirror.
- i. Loosen the two window track clamps and remove the glass while in fully down position.
- j. Remove and discard the foam block by sliding a putty knife along the double sided tape.
- k. Remove the window motor/guide tracks and the window track below the door handle.



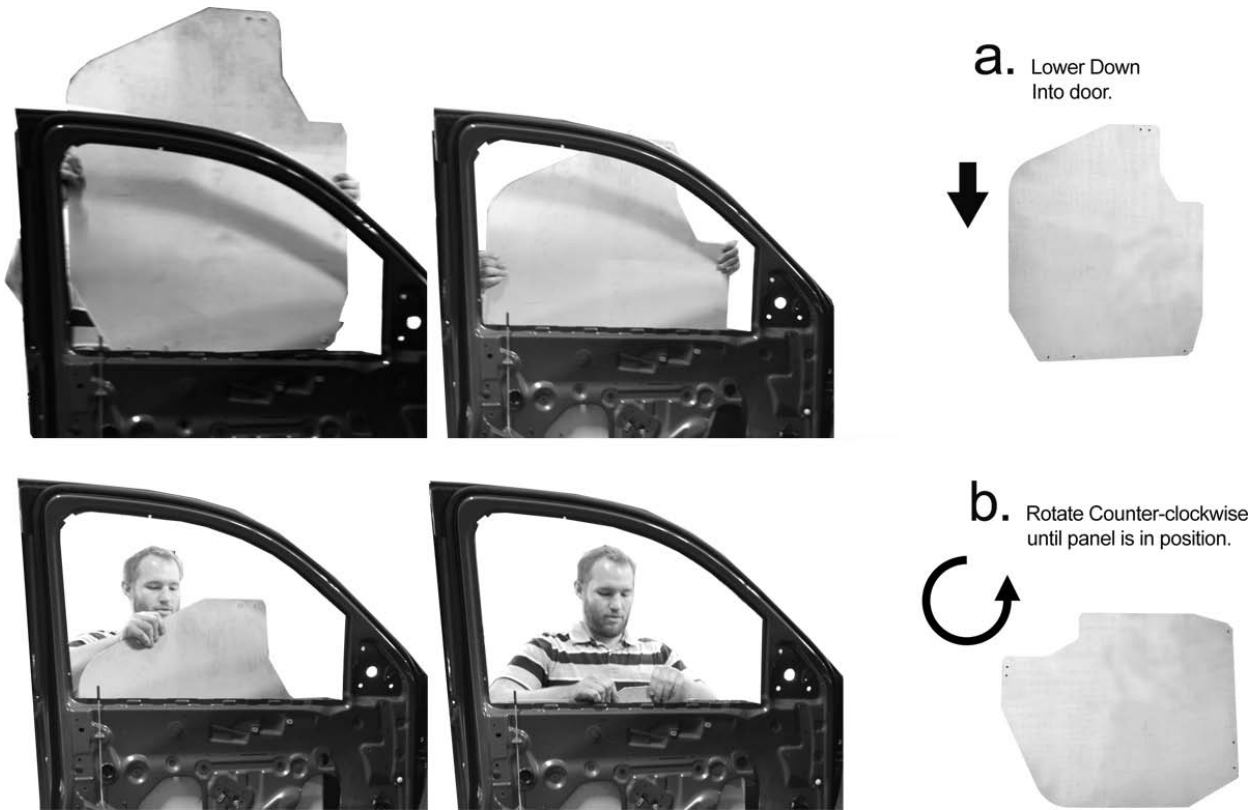
2. Install the 1/4-20 threaded clip nuts to the BDP panel by sliding the panel between the clip in the five holes as marked in the image below to prepare it for door insertion:



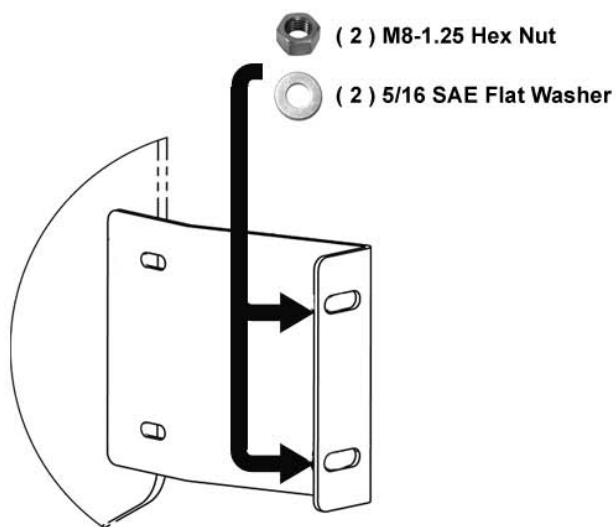
Quantity 5:
Clip Nut 1/4-20 THRD



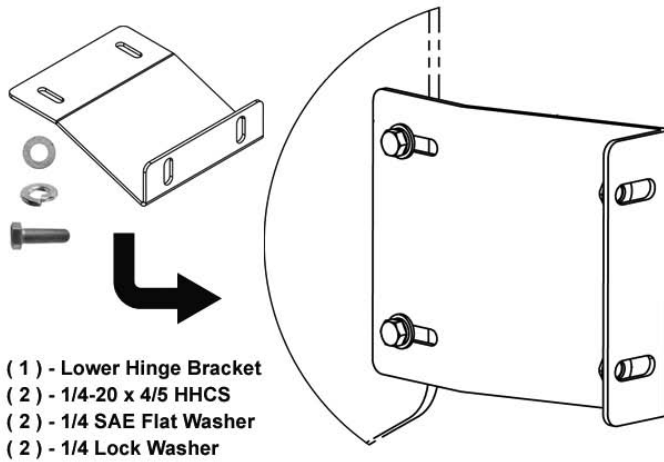
3. Slide the panel in front first; rotating clockwise, making sure it is behind the front window track:



4. Attach the lower hinge bracket to the lower door by loosely installing two M8-1.25 Hex Nuts and 5/16 SAE Flat Washers onto the existing door hinge bolts:

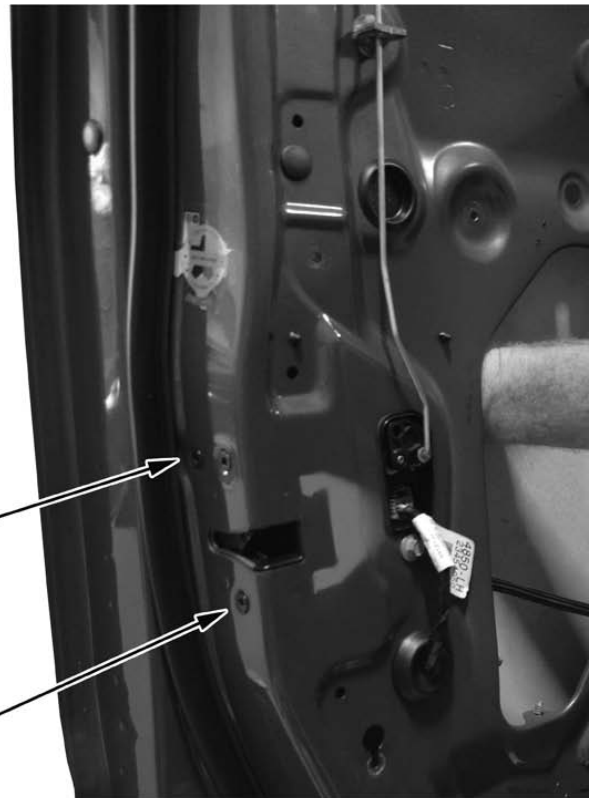
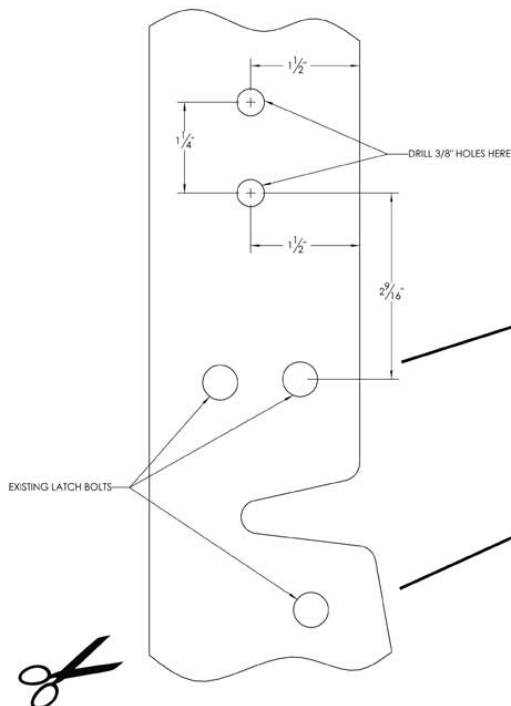


5. Attach the Lower Hinge Bracket to line up with the holes in the installed Clip Nuts by loosely installing two 1/4-20 X 3/4 HHCS, 1/4 Lock Washers, and 1/4 SAE Flat Washers:

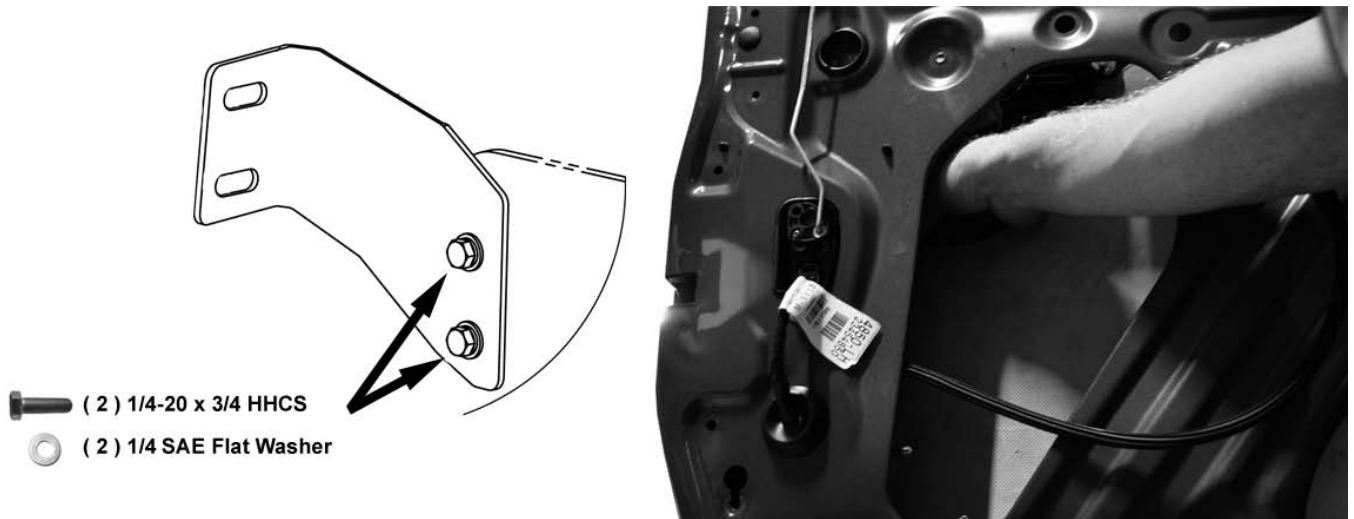


6. Prepare the Upper Rear Bracket install by first drilling the two holes as shown in the attached Door Jam Drilling Template (please see last page of install guide for template):

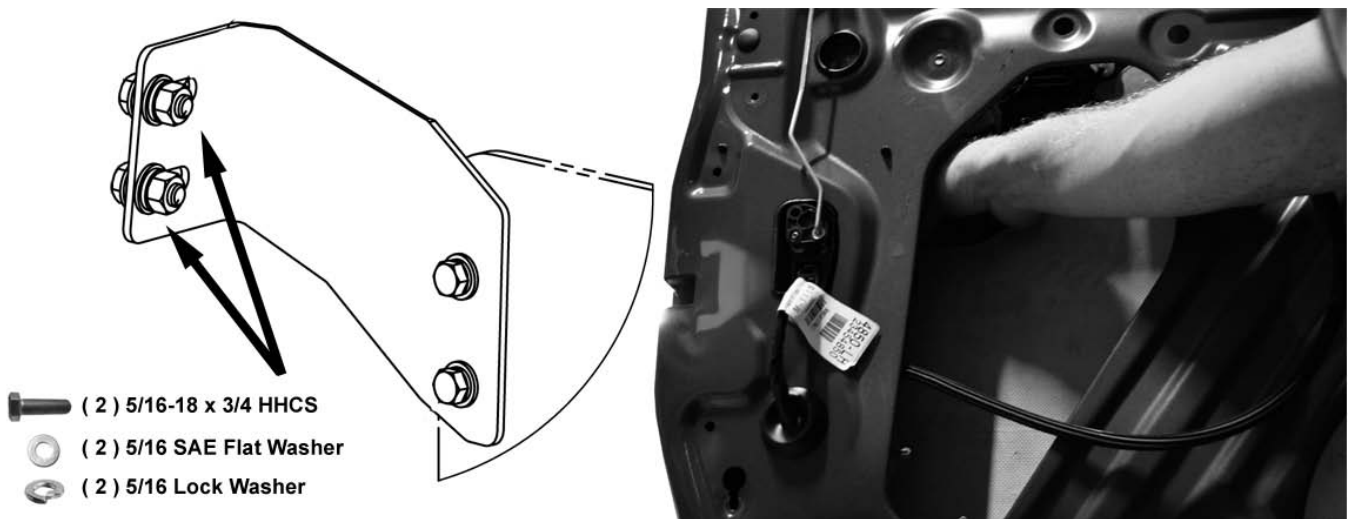
- a.) Cut out the Door Jam Template.
- b.) Line up the Door Jam Template to the Door Jam.
- c.) Tape the Template to the Door Jam.
- d.) Use a marker to mark the drill holes on the Door Jam.
- e.) Drill out the two 3/8" Upper Rear Bracket install holes.



7. Once the holes have been drilled, loosely attach the Upper Rear Bracket to the panel using 2 each of the 1/4-20 x 3/4 HHCS bolts and 1/4 SAE Flat Washers:

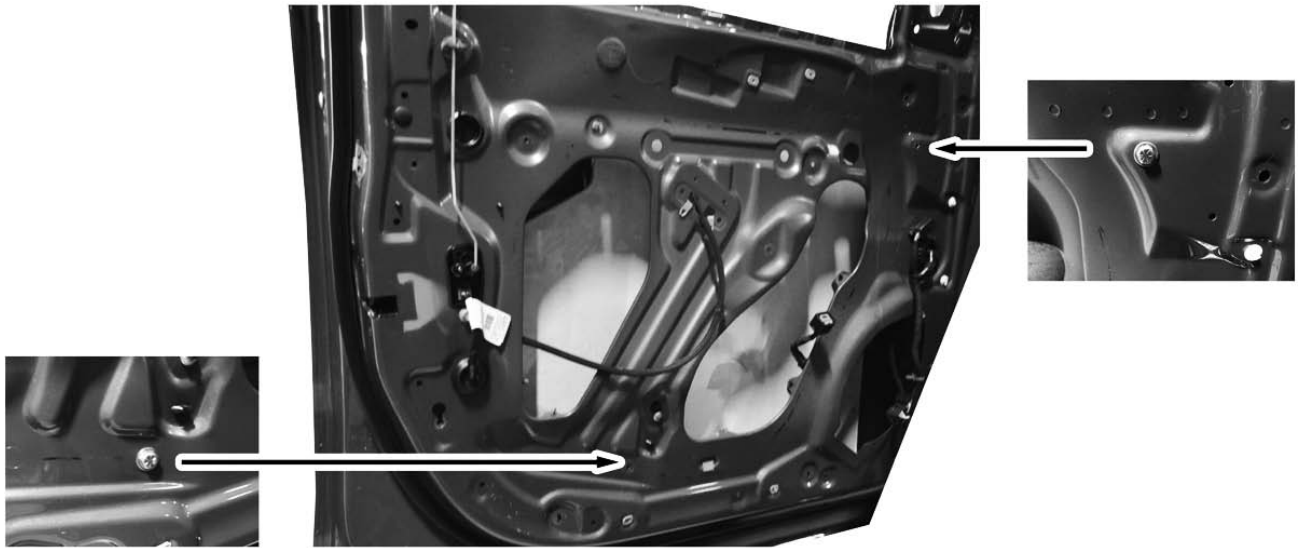
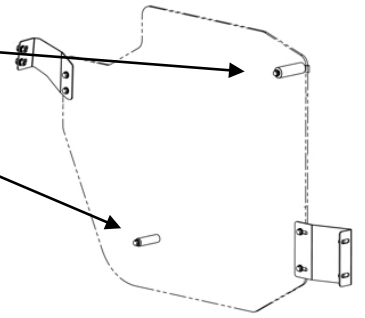


8. Loosely install the upper hinge bracket to the door using 2 each of the 5/16-18 x 3/4 HHCS Bolts and 5/16 SAE Flat Washers:



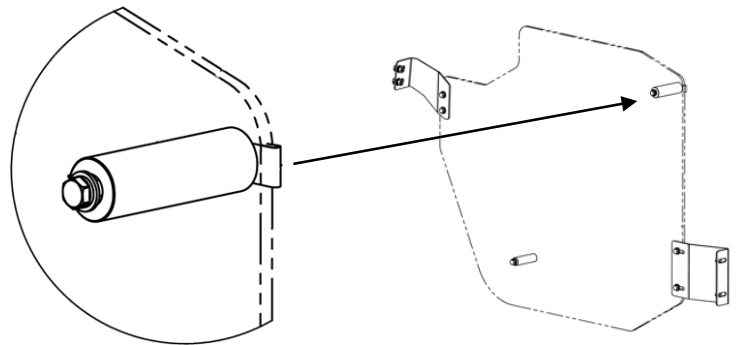
9. Prepare for the install of the Upper and Lower Spacers by marking and then drilling the two Spacer holes by completing the following steps:

- a. Place the Upper Spacer on the Clip Nut.
- b. Place the Lower Threaded Spacer behind the lower door.
- c. Mark the drill holes in the locations shown in the graphic below.
- d. Use a 3/8" drill bit to drill both the Upper and Lower Spacer holes.



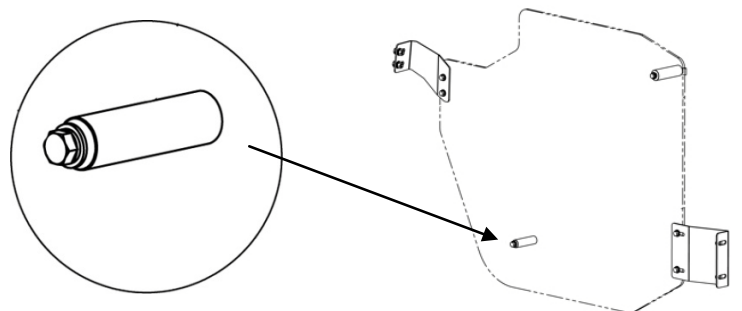
10. Attach the Upper Spacer to the upper Clip Nut and hole drilled in step 9 by loosely installing 1 each of the following hardware:

- 1/4-20 x 4 HHCS
- 1/4 SAE Flat Washer
- 1/4 Lock Washer



11. Attach the Lower Threaded Spacer to the lower hole drilled in step 9 by installing 1 each of the following hardware (Tighten Completely):

- 1/4-20 x 3/4 HHCS
- 1/4 SAE Flat Washer
- 1/4 Lock Washer



- 12.** Tighten all bolts and adjust panel to make sure nothing is in the way of the window track by ensuring that the panel is pressed tightly against the out facing side of the door.
- 13.** Reassemble the door window track, seals, mirror, speaker, handle brace, and plastic door panel to complete the Tahoe NIJ Level IIIa Ballistic Door Panel installation.

INSTALLTION COMPLETE

BALLISTIC DOOR PANEL 2015 - 2020 CHEVROLET TAHOE

