

INSTALLATION GUIDE

B57XS15

CARGO BARRIER

2016 - 2019

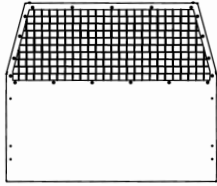
SUBURBAN

Pro-gard[™]
PRODUCTS LLC.

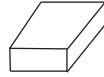
STRONG | RELIABLE | SECURE

pro-gard.com
800.480.6680

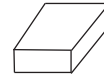
THESE COMPONENTS ARE REQUIRED
TO INSTALL THE PRO-GARD BARRIER



4B57XXT15
BARRIER



4BK5715
BARRIER KIT



4BHK5715
BARRIER HARDWARE

I. Refer to the diagram above to verify all parts were received.

II. The following tools will be required to complete the installation:

- | | | |
|-----------------|-------------------------|---------------------|
| 1. 7/16" Socket | 2. Phillips Screwdriver | 3. 5/32" Hex Wrench |
| 4. 18mm Socket | 5. 12mm Socket | 6. 20mm Socket |

III. Read all instructions carefully before starting the assembly process.

NOTE: *Locate all wiring, fuel lines, brake lines, and /or cooling lines before drilling holes or installing any fasteners.*

IV. Coat Hook Removal

A. Remove the 2 bolts closest to the passenger and Driver doors.

NOTE: *It may be necessary to loosen all OEM seat nuts to position lower barrier brackets.*

B. Remove both the driver and passenger OEM coat hook assemblies from vehicle headliner.

V. Barrier Installation

NOTE: *It may be necessary to have a second person to install the barrier.*

A. Place Bracket 3B5715-001S through the OEM seat stud closest to the passenger side door. (If using OEM seat the bracket will rest under the OEM seat frame.) Loosely secure using the OEM nut. Repeat process for drivers side of vehicle using bracket 3B5715-001S.

B. Place the cargo barrier into the vehicle behind the second row seating area Stand the barrier up and position the mounting holes in the lower portion of the barrier with the holes located in brackets 3B5714-001S. Secure the barrier to the lower support brackets using the included 3X03 phillips head screws.

C. Install the upper mounting bracket 3B5715-03S to the barrier using the provided 3X36 carriage bolts and 3X16Z whiz nuts through the mounting hole located in the top of the barrier. Hand tighten only. Repeat process for the drivers side of the vehicle using bracket 3B5715-02S.

D. Align bracket 3B5715-03S with the coat hook mounting hole on the passenger side of the vehicle and secure using the provided 3X97 bolt and spacer. Repeat process for the drivers side, with bracket 3B5715-02S. (See Figure: 1 below) Refer to the last page for part description.

E. Center the barrier in the vehicle and secure all fasteners.

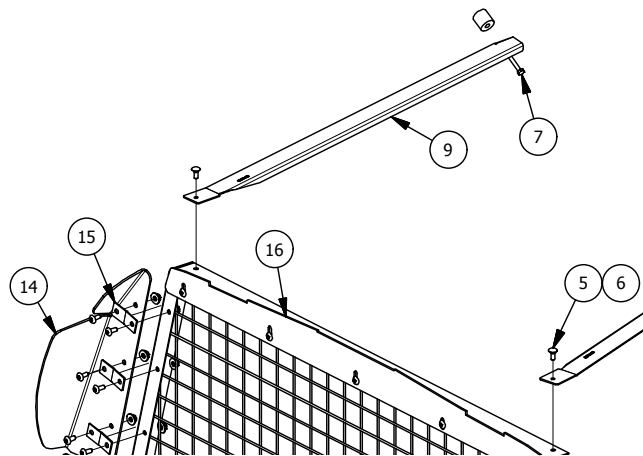


Figure: 1

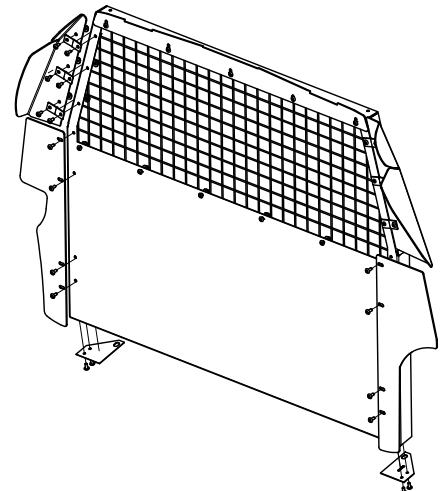
VI. Wing Installation

A. Attach the top polycarbonate panel (4BW5715-05) to the top of the barrier using the existing bolts from the top of the window frame. Adjust panel to suit, and secure fasteners.

B. Remove the (3) 3X16 nuts and 3X03 bolts located on the upper portion of the drivers side of the barrier. Place bracket 3B929 on the front side of the barrier and secure using the bolts and nuts that were removed (repeat for the passenger side).

C. Place the drivers side upper wing (4BW5715-01S) behind the air-bag brackets, align the holes, and secure using the provided 3X03 bolts and 3X16 nuts. Repeat process for the passenger side using wing (4BW5715-02S.)

D. Secure the passenger side lower polycarbonate wing (3BW5715-03S) to the barrier using the provided 3X03 bolts and 3X16 whiz nuts. Repeat process for drivers side of vehicle using polycarbonate wing (3BW5715-04S.)



PARTS LIST			
ITEM	QTY	PART NUMBER	DESCRIPTION
1	1	4B57XT15	Tahoe Barrier
2	29	3X03	1/4-20 X 5/8 PHIL TRUSS HD MS
3	6	3X12	1/4 FLAT WASHER, BLACK
4	16	3X16	1/4-20 WHIZ NUT
5	2	3X36	1/4-20 X 5/8 CARRIAGE BOLT
6	2	3X16Z	1/4-20 WHIZ NUT, ZINC COATED
7	2	3X97	M6 X 37MM HEX HD CAP SCREW
8	2	3B5715-001S	LOWER BARRIER SUPPORT
9	1	3B5715-03S	UPPER BARRIER SUPPORT, PASSENGER
10	1	3B5715-02S	UPPER BARRIER SUPPORT, DRIVER
11	1	3BW5715-04S	BARRIER LOWER WING - DRIVER
12	1	3BW5715-03S	BARRIER LOWER WING - PASSENGER
13	2	4G5070P3	1.00 Black Spacer
14	1	4BW5715-02S	BARRIER UPPER WING - PASSENGER
15	6	3B929	WING BRACKET
16	1	3BW5715-05	TAHOE BARRIER HEADLINER WING
17	1	4BW5715-01S	BARRIER UPPER WING - DRIVER

