

INSTALLATION GUIDE

B5702T07

CARGO BARRIER

2009 - 2014

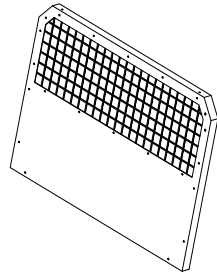
CHEVROLET SUBURBAN

Pro-gard[™]
PRODUCTS LLC.

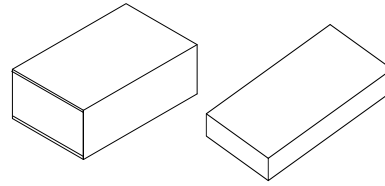
STRONG | RELIABLE | SECURE

pro-gard.com
800.480.6680

THESE COMPONENTS ARE REQUIRED
TO INSTALL THE PRO-GARD BARRIER SYSTEM



3B300WD BARRIER



4B57S09 HARDWARE/WING KIT

I. Refer to the diagram on the last page of these instructions to verify all parts were received.

II. The following tools will be required to complete the installation.

A. 1/4" drive ratchet with 7/16" socket

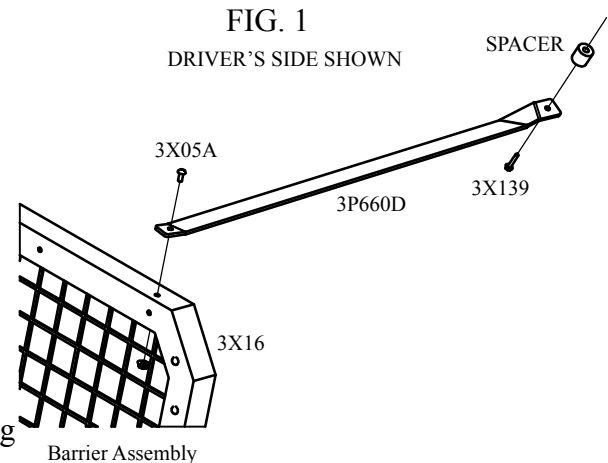
B. Phillips Screwdriver

C. Drill with 3/8" socket and 5/16" drill bit.

III. Read all instructions carefully before starting the assembly process.

IV. Barrier Installation

A. Install the upper mounting brackets (3P660D Driver and 3P660P Passenger) to the barrier using the phillips head bolts (3X05A) and whiz nuts (3X16) through the holes in the top of the Barrier. Hand tighten only. See Fig. 1



B. Remove the rear OEM coat hook assemblies from the headliner.

C. Place the Cargo Barrier Assembly on the cargo floor behind the second row seats. Note: The bottom of the barrier should be aligned along the edge of the floor behind the second row seats. With the seats folded down begin to stand the Barrier up. While raising the Barrier swing the upper mounting brackets around toward the rear of vehicle. Align the upper mounting brackets with the coat hook mounting holes and secure loosely using the supplied M6 bolts and spacers. See Fig. 1

D. Attach the Polycarbonate top panel (3P665) to the Barrier using the existing bolts from the top of the barrier window frame. Hand tighten fasteners only. See Fig. 3

E. Attach the Polycarbonate Wings (3P666 Driver and 3P667 Passenger) between the Barrier and the interior trim using the Phillips head bolts (3X05A) and whiz nuts (3X16). Hand tighten fasteners only. See Fig. 3

F. Center the Barrier Assembly in the the vehicle.

G. With the top now supported, raise the second row seats in the vehicle, shifting the bottom of the barrier front to back to clear the back of second row seats as desired. Adjust the Polycarbonate wings for desired fit against the interior trim and headliner.

H. Tighten all fasteners

I. Installation is now complete.

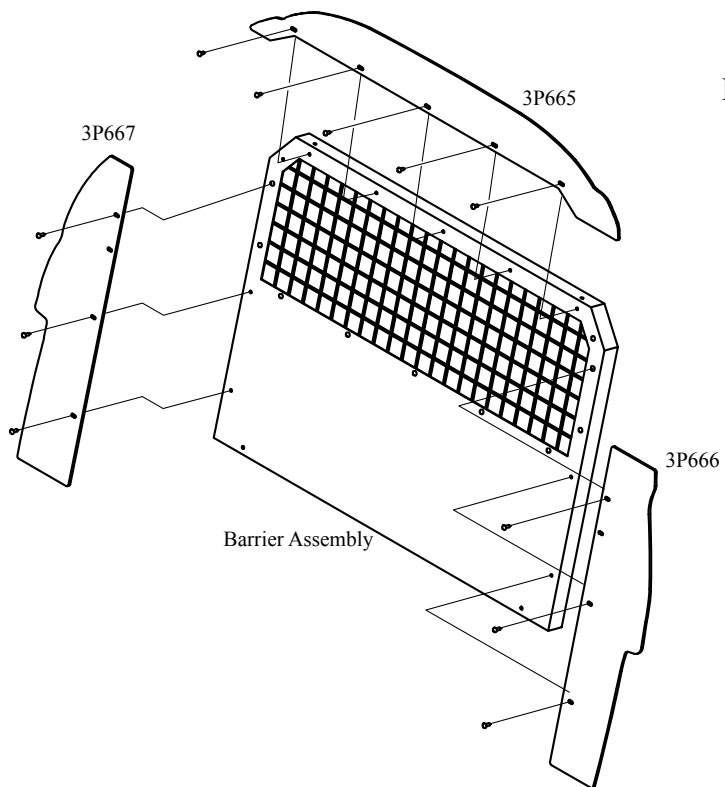


FIG. 3

FIG. 4

