

**INSTALLATION GUIDE**  
**4WK5715T A OR R WINGS**  
**2015 - 2019 TAHOE**

**Pro-gard**<sup>™</sup>  
PRODUCTS LLC.

STRONG | RELIABLE | SECURE

**pro-gard.com**  
**800.480.6680**

THESE COMPONENTS ARE REQUIRED  
TO INSTALL THE PARTITION



4WK5715T-A or 4WK5715T-R

**I. The following tools will be required to complete the installation.**

A. 7/16" Socket & Ratchet

**II. Use the diagram to correctly assemble and install the air bag wings.**

| PARTS LIST |     |             |                |
|------------|-----|-------------|----------------|
| ITEM       | QTY | PART NUMBER | DESCRIPTION    |
| 1          | 1   | 3W5715A-P   | PASSENGER WING |
| 2          | 1   | 3W5715A-D   | DRIVER WING    |

| WING KIT LIST |     |             |  |
|---------------|-----|-------------|--|
| ITEM          | QTY | PART NUMBER | DESCRIPTION                            |
| 3             | 6   | 3P928       | MOUNTING BRACKET, A,B WING (Z-BRACKET) |
| 4             | 12  | 3X16Z       | 1/4-20 WHIZ NUT                        |

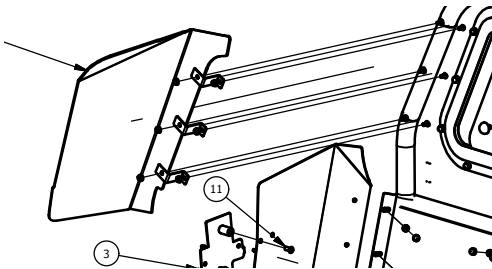
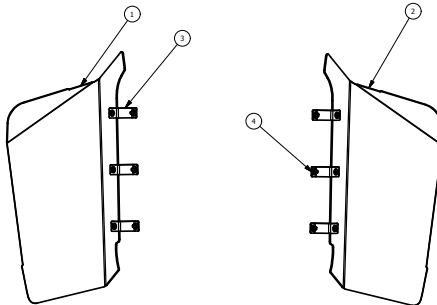
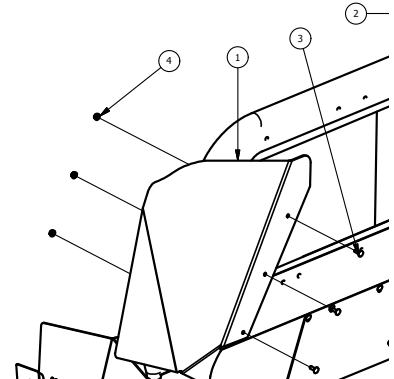


fig. 1 Airbag Wing Install



| RIGID WING KIT |     |             |                            |
|----------------|-----|-------------|----------------------------|
| ITEM           | QTY | PART NUMBER | DESCRIPTION                |
| 1              | 1   | 3W5715-R-D  | DRIVERSIDE RIGID WING      |
| 2              | 1   | 3W5715-R-P  | PASSENGERSIDE RIGID WING   |
| 3              | 6   | 3X61        | 1/4-20 X 3/4 CARRIAGE BOLT |
| 4              | 6   | 3X16Z       | 1/4-20 WHIZ NUT            |

fig. 2 Rigid Wing Install

- Step 1. Assemble the passenger and driver side air bag wings by following the diagram.  
Step 2. Install air bag or rigid wings on the Pro-gard partition as shown in the diagrams.

**Installation complete!**

If you have any problems with this installation than call the toll free number (800-480-6680) and ask for technical assistance.