

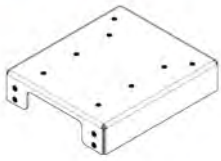
# ***INSTALLATION GUIDE***

**2021 - CURRENT  
FORD F-150 CREW CAB  
SELF SUPPORTING GUNRACK BASE  
4GRK812100**

**Pro-gard**<sup>™</sup>  
PRODUCTS LLC.

**STRONG. RELIABLE. SECURE.**

**THESE COMPONENTS ARE REQUIRED  
TO INSTALL THE SELF SUPPORTING GUNRACK BASE**



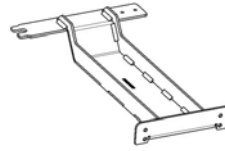
3GRK572120



3GRK812102



3GRK812103



3GRK812100



4GRK812101

**I. The following tools will be required to complete the installation**

- A. Drill or Impact Driver                      B. Hex drive bits                      C. Ratchet and socket set

**II. Read all instructions and refer to the Parts List to ensure all parts were received.**

---

**WARNING:** *Locate all wiring, fuel lines, brake lines, coolant lines, and refrigerant lines before drilling any holes or installing any self-drilling fasteners.*

---

**III. Assemble the Base**

- A. Locate the Driver Front Leg [3GRK812102] and (2) Button Head screws [3X149].
- B. Align the Driver Front Leg with the corresponding holes on the driver side of the Base as shown in Figure 1a. Ensure that the two widest holes in the base are opposite the front legs (refer to exploded view on the last page).
- C. Using a 3/16" Hex drive install the (2) screws gathered in step A.
- D. Repeat steps A - C on the passenger side of the base using the Passenger Front Leg [3GRK812103] and (2) Button Head screws [3X149].
- E. Locate the Rear Bracket [3GRK812100] and the remaining (4) Button Head screws [3X149].
- F. Align the Rear Bracket with the corresponding holes in the Base as shown in Figure 1b.
- G. Using a 3/16" Hex drive install the (4) screws gathered in Step E.

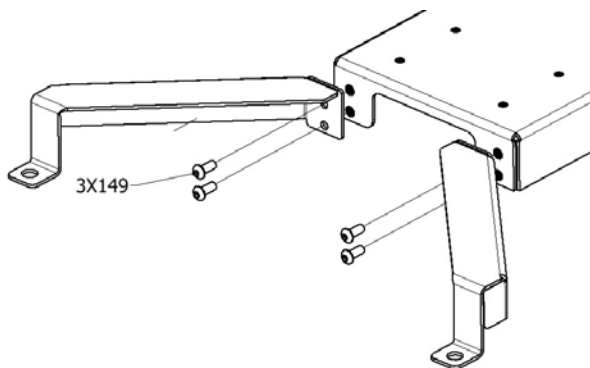


Figure 1a

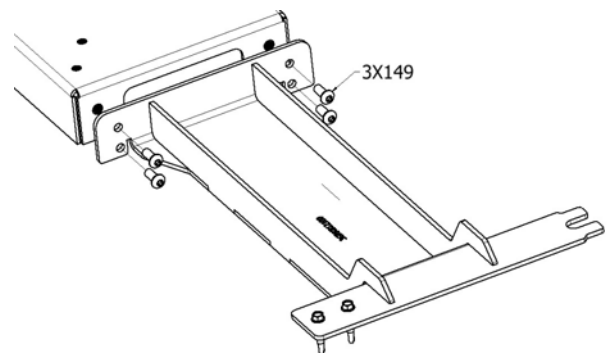


Figure 1b

## IV. Install the Base

- A. Using a socket, remove the 4 screws that secure the under seat storage organizer to the front of the rear seat frame. This piece will need to be trimmed before reinstallation.
- B. Using a socket remove the rear inboard bolts from the front driver and passenger seats.
- C. Remove the driver side inner bolt on the rear seat.
- D. Place the tabs of the Front Legs onto the driver and passenger front seat mounts (Fig. 2a) then lower the rear of the assembly into position. The large hole in the Rear Bracket should align with the inner front seat bolt for the driver side second row seats (Fig. 2b).
- E. Loosely reinstall the (3) OEM bolts removed in steps B and C back into their respective holes. Reapply thread locker to OEM bolts as necessary.

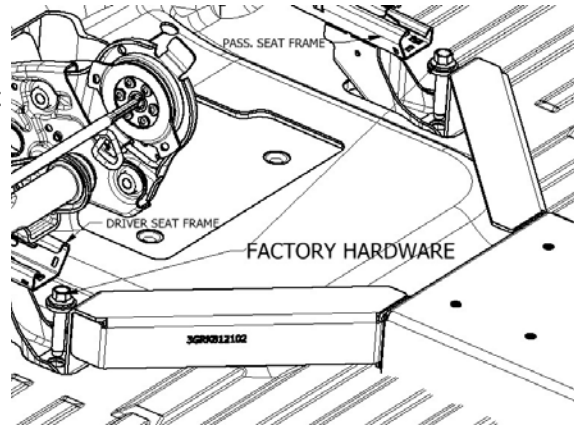


Figure 2a

- F. Use the (2) supplied self tapping screws (3X47) to secure the driver side rear portion of the gun rack bracket. Screws will go through carpet and secure to floor structure of the cab.
- G. Torque all seat fasteners to OEM specifications.
- H. Using a rotary cut off tool or similar device, trim under seat storage organizer to clear rear mounting bracket of gun rack. Reinstall storage organizer under rear seat.

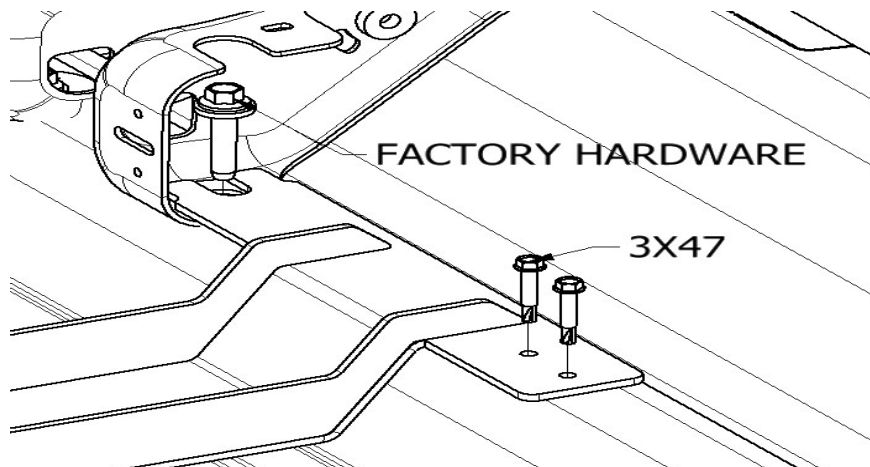
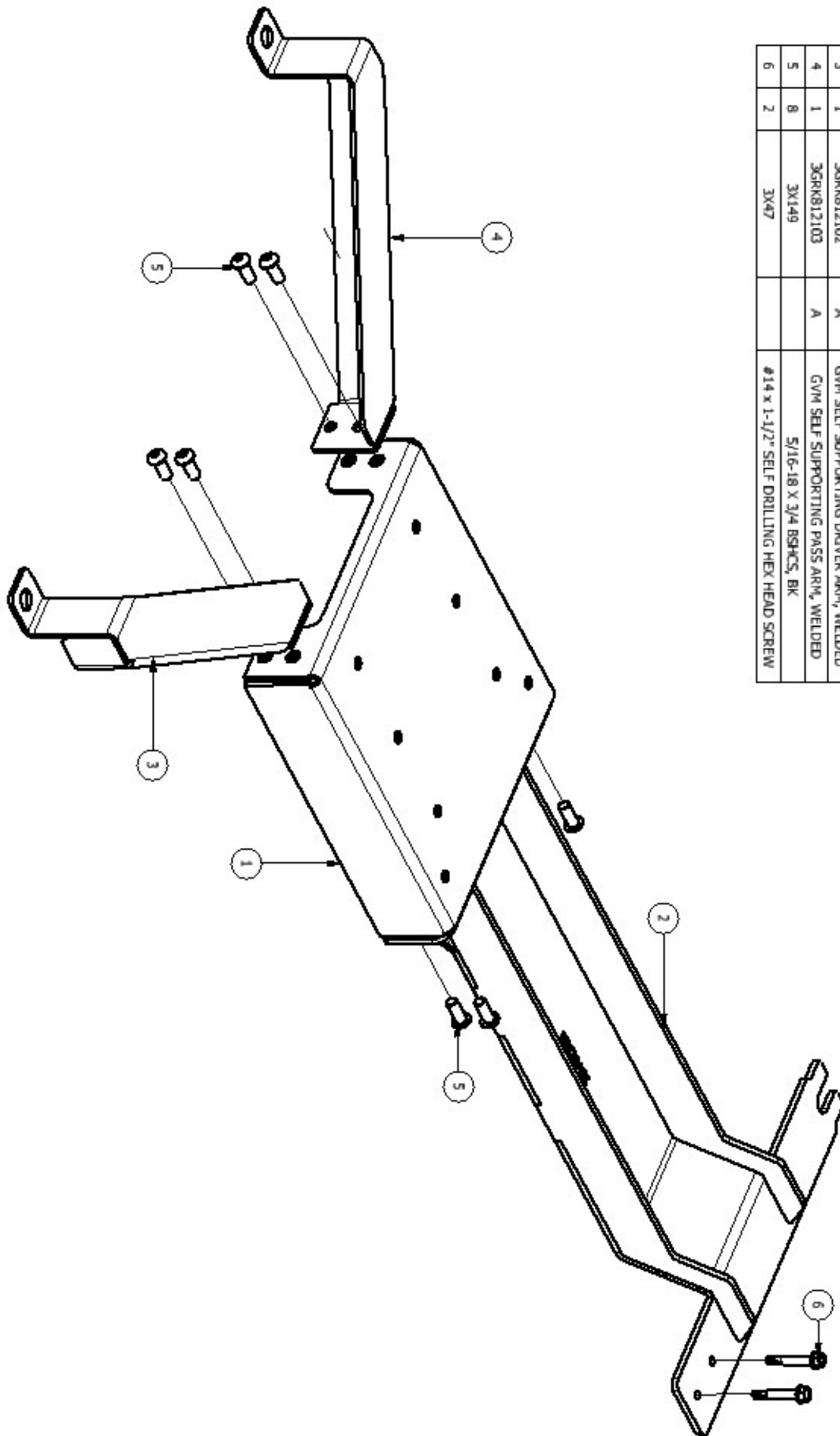


Figure 2b

## Installation complete

The Self-Supporting Gunrack Base is now installed and ready for a gunrack to be attached.

If you have any problems with this installation or have any questions please call (800-480-6680) and ask for technical assistance.



PARTS LIST

ITEM	QTY	PART NUMBER	REVISION NUMBER	DESCRIPTION
1	1	3GRK812100	A	SELF SUPPORTING BASE WELDMENT
2	1	3GRK812100	A	GVM SELF SUPPORTING REAR BRACKET
3	1	3GRK812102	A	GVM SELF SUPPORTING DRIVER ARM, WELDED
4	1	3GRK812103	A	GVM SELF SUPPORTING PASS ARM, WELDED
5	8	3X149		5/16-18 X 3/4 BSHCS, BK
6	2	3X47		#14 X 1-1/2" SELF DRILLING HEX HEAD SCREW