

# **INSTALLATION GUIDE**

**3G7047**

**SELF SUPPORTING STAND**

**2013-2019 FORD UTILITY**

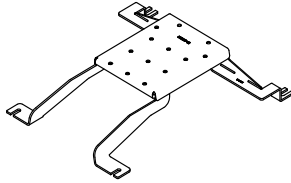
**INTERCEPTOR**

**Pro-gard**<sup>™</sup>  
PRODUCTS LLC.

**STRONG | RELIABLE | SECURE**

**pro-gard.com**  
**800.480.6680**

THESE COMPONENTS ARE REQUIRED  
TO INSTALL THE PRO-GARD 3G7047 SELF SUPPORTING STAND



- I. Refer to the diagram on the last page of these instructions to verify all parts were received.
- II. The following tools will be required to complete the installation.

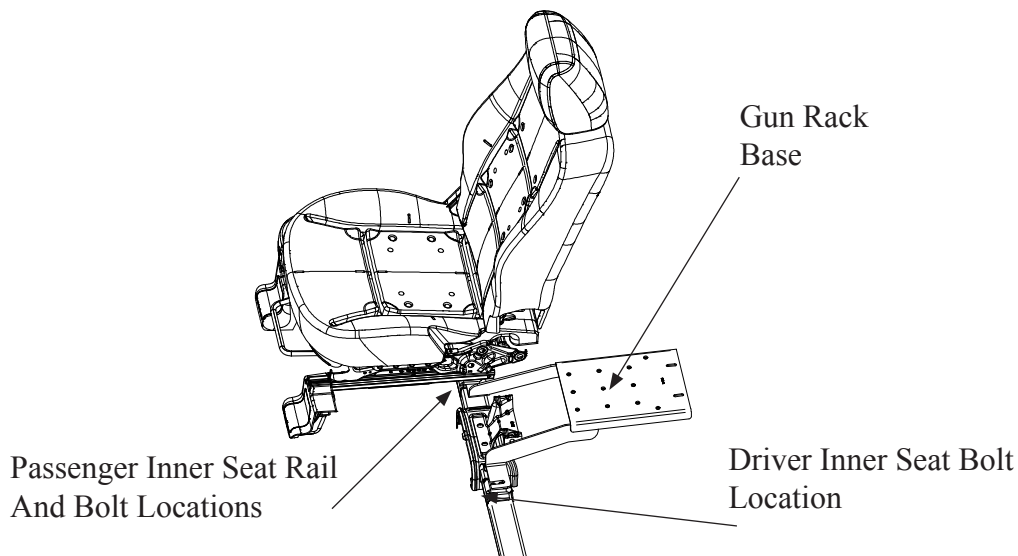
Socket Wrench with 13mm, 15mm, 3/8" & 7/16" sockets.

**II. Installing the self supporting stand.**

A. Remove the rear lower seat cushion from the back seat. Once the cushion is out of the way, proceed to removing the two 15mm inner nuts that were underneath the cushion. Next loosen both inner rear seat bolts of the driver and passenger seat so that the seats can be lifted about 1/2". Then install the mounting base (3G7047-01) by pushing the front seats forward. Slide the arms of the mounting base under the seat frame and slide the back portion of the stand over the studs located underneath the seat cushion. Once the mounting base put into place tighten the two seat bolts (See FIG 1) followed by tightening the two 15mm nuts at the rear. Reinstall the rear lower seat cushion.

**III. Install complete**

FIG. 1



3G7047-01			
ITEM	QTY	PART NUMBER	DESCRIPTION
1	1	3G7047-01	SELF SUPPORTING BASE
2	1	3G7047-02	SUPPORT LEG - DRIVER
3	1	3G7047-03	SUPPORT LEG PASSENGER
5	1	3G7047-05	REAR SUPPORT BRACE
6	1	3G7047-04	REAR SUPPORT BRACKET

