

**INSTALLATION GUIDE**

**3G7036**

**SELF SUPPORTING  
STAND**

**2013+ FORD SEDAN  
INTERCEPTOR**

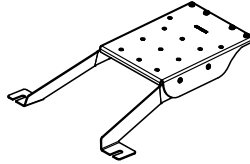
**Pro-gard**<sup>™</sup>  
PRODUCTS LLC.

**STRONG | RELIABLE | SECURE**

**pro-gard.com  
800.480.6680**

THESE COMPONENTS ARE REQUIRED  
TO INSTALL THE PRO-GARD 3G7036 SELF SUPPORTING STAND

3G7036 MOUNT BASE



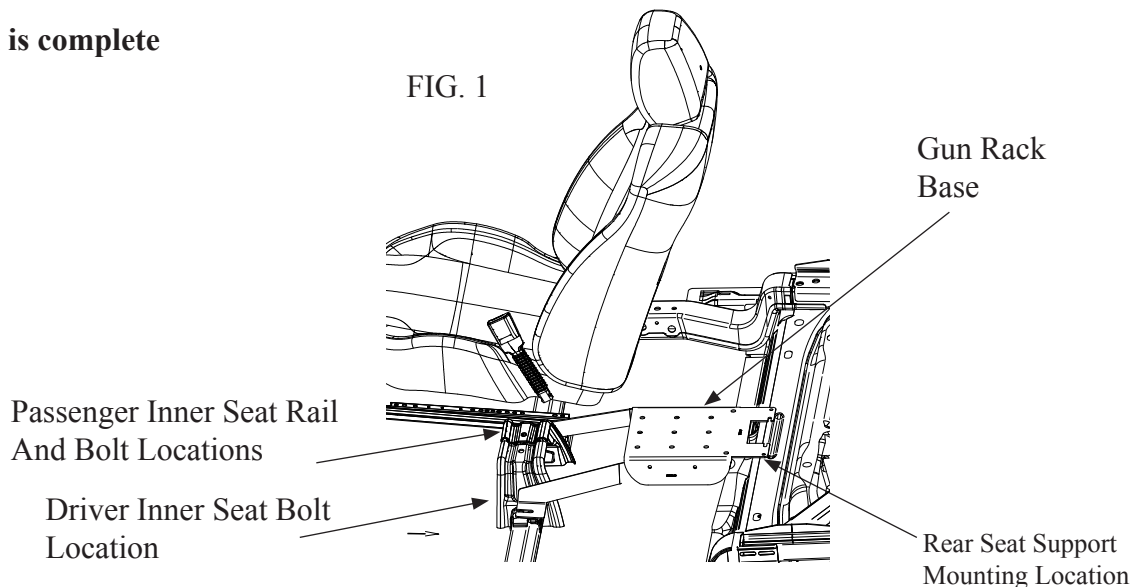
- I. Refer to the diagram on the last page of these instructions to verify all parts were received.
- II. The following tools will be required to complete the installation.

Socket Wrench with 15mm, 3/8" & 7/16" sockets.

**III. Installing the self supporting stand.**

A. Loosen both inner rear seat bolts of both the driver and passenger seat, so that seats can be lifted about 1/2". Remove the lower portion of the rear seat cushion by releasing the two plastic locking clips at the front of the rear seat. Then force the seat towards the rear of the vehicle while pushing down to get the metal hooks to release from the vehicle. Then remove the lower seat cushion from the vehicle. Install front mounting legs to the base using the supplied fasteners. Then install the mounting base into the vehicle. If the vehicle is equipped with the wire raceway option above the driveshaft tunnel, remove it from the vehicle. The gun rack allows space for the wires to run underneath the gunrack base without the need for the raceway. Secure the gunrack base to the rear seat frame (See Fig. 1) through the four holes (if there was a factory raceway, the existing holes and fasteners may be used). Use the supplied self drilling screws to secure the rear of the gunrack base to the rear seat support frame followed by tightening the inner rear seat bolts of the driver and passenger seat.

**IV. Install is complete**



3G7036			
ITEM	QTY	PART NUMBER	DESCRIPTION
1	1	3G7036-01	SELF-SUPPORTING BASE
2	1	3G7036-02	SELF-SUPPORTING LEG - DRIVER
3	1	3G7036-03	SELF-SUPPORTING LEG - PASSENGER
4	15	93560A160	1/2-20 WELD NUT
HARDWARE KIT			
ITEM	QTY	PART NUMBER	DESCRIPTION
5	4	3X110	1/4"-14x1" SELF DRILLING SCREW
6	4	3X184	1/4-20x0.75, SBHCS, BLACK OXIDE
7	4	3X34b	1/4" INT TOOTH LOCK WSHR

