

## **INSTALLATION GUIDE**

3G5715  
SELF SUPPORTING STAND  
2015 - 2020 CHEVY TAHOE

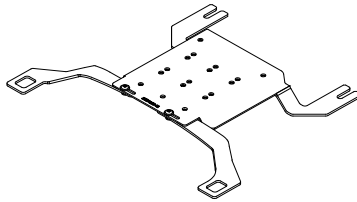
**Pro-gard**<sup>™</sup>  
PRODUCTS LLC.

STRONG | RELIABLE | SECURE

**pro-gard.com**  
**800.480.6680**

THESE COMPONENTS ARE REQUIRED  
TO INSTALL THE PRO-GARD 3G5715 SELF SUPPORTING STAND

3G5713 MOUNT BASE



**I. Refer to the diagram above to verify all parts were received.**

**II. The following tools will be required to complete the installation:**

1. 5/32 Hex Key                      2. 18mm Socket                      3. T-45 Torx Bit

**III. Read all instructions carefully before starting the assembly process.**

**NOTE:** *Locate all wiring, fuel lines, brake lines, and /or cooling lines before drilling holes or installing any fasteners.*

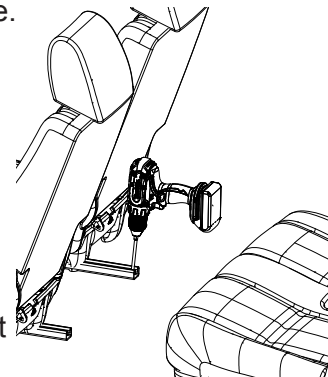
**IV. Mounting Base Installation**

Figure 1.

A. Position both the driver and passenger seats as far forward and up as possible. Remove the (2) inner plastic guards located on the rear of the front seats.

B. Using a T-45 torx bit to remove the inner seat bolts located on the passenger and drivers side. Refer to Figure. 1

C. Loosen the second row seat frame bolts located on the floorboard of the vehicle using a 18mm socket. Tilt the second row seats backwards slightly to allow installation of 3G5715U-01. Align the slots in the base with the inner seat bolts. Figure. 2

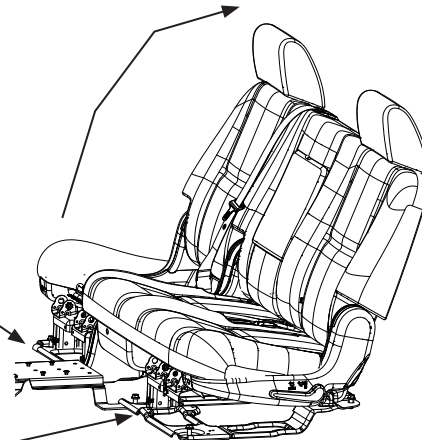


D. Place 3G5715U-05 under the drivers side seat track and align the slot with the hole location for the OEM bolt. Loosly secure the OEM bolt back into location. Align this bracket with 3G5715U-01. Secure using the provided 3X03 bolt and 3X12 washer. Repeat the process for the passenger side using 3G5715U-06.

E. Ensure all bolts are tightened firmly.

**V. Installation Complete**

- Step #1 Loosen seat frame nuts  
Step #2 Tilt seat back for clearance  
Step #3 Slide base under seat frame



3G5715U			
ITEM	QTY	PART NUMBER	DESCRIPTION
1	1	3G5715U-01	TRI-LOCK SELF SUPPORTING BASE
2	1	3G5715U-05	SEAT MOUNTING BRACKET - DRIVER SIDE
3	1	3G5715U-06	SEAT MOUNTING BRACKET - PASSENGER SIDE
4GVMHK5715			
ITEM	QTY	PART NUMBER	DESCRIPTION
4	2	3X03	1/4-20 X 5/8 PHIL TRUSS HD MS
5	2	3X12	1/4 FLAT WASHER, BLACK

