

INSTALLATION GUIDE

3G5614-01

SELF SUPPORTING

STAND FOR

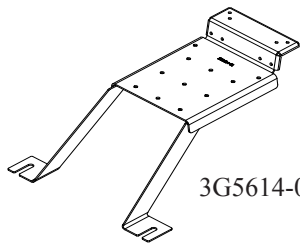
2011+ DODGE CHARGER

Pro-gard[™]
PRODUCTS LLC.

STRONG | RELIABLE | SECURE

pro-gard.com
800.480.6680

THESE COMPONENTS ARE REQUIRED
TO INSTALL THE PRO-GARD 3G5614-01 SELF SUPPORTING STAND



3G5614-01 MOUNT BASE



G56C11
MOUNTING KIT

I. Refer to the diagram on the last page of these instructions to verify all parts were received.

II. The following tools will be required to complete the installation.

1. Socket Wrench with 3/8" 8 point socket
2. Drill with 3/8" socket driver

III. Installing the self supporting stand.

A. Loosen the inner rear seat track bolts for the passenger and driver front seat.

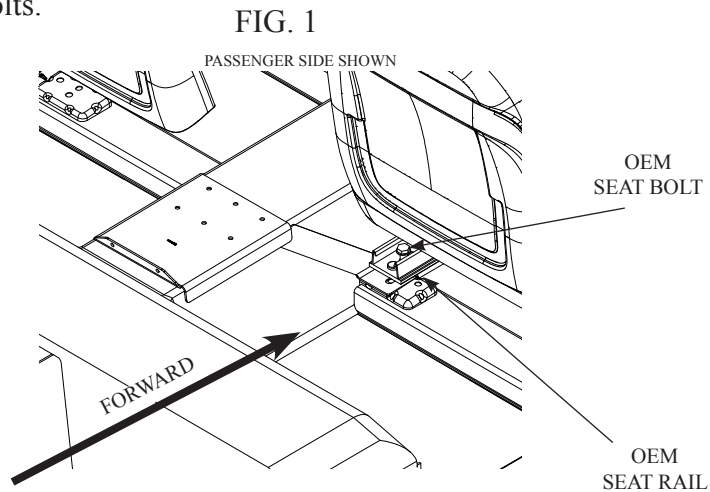
NOTE: *It unnecessary to remove the bolts completely.*

B. Orient the Mounting Base (3G5611-01) so that the legs face towards the front of the vehicle. Slide the legs of the base under the front seat tracks, aligning the nothes with the Seat bolts and alignment pins. Leave loose. (See Fig. 1)

C. Using the supplied Self Tapping Screws (3X125) ancor the rear of the Mounting base to the Rear Seat Area.

D. Tighten the OEM Front Seat Bolts.

Note: *No torque spec required.*



3G5614-01			
ITEM	QTY	PART NUMBER	DESCRIPTION
1	1	3G5614-02	SELF SUPPORTING BASE
2	1	3G5604	SELF SUPPORTING LEG, LEFT
3	1	3G5603	SELF SUPPORTING LEG, RIGHT
HARDWARE KIT			
ITEM	QTY	PART NUMBER	DESCRIPTION
4	8	3X125	1/4 X 2" SELF DRILLING HEX HDSC

