

INSTALLATION GUIDE

P1500 PRO-CELL

2013 - CURRENT FORD

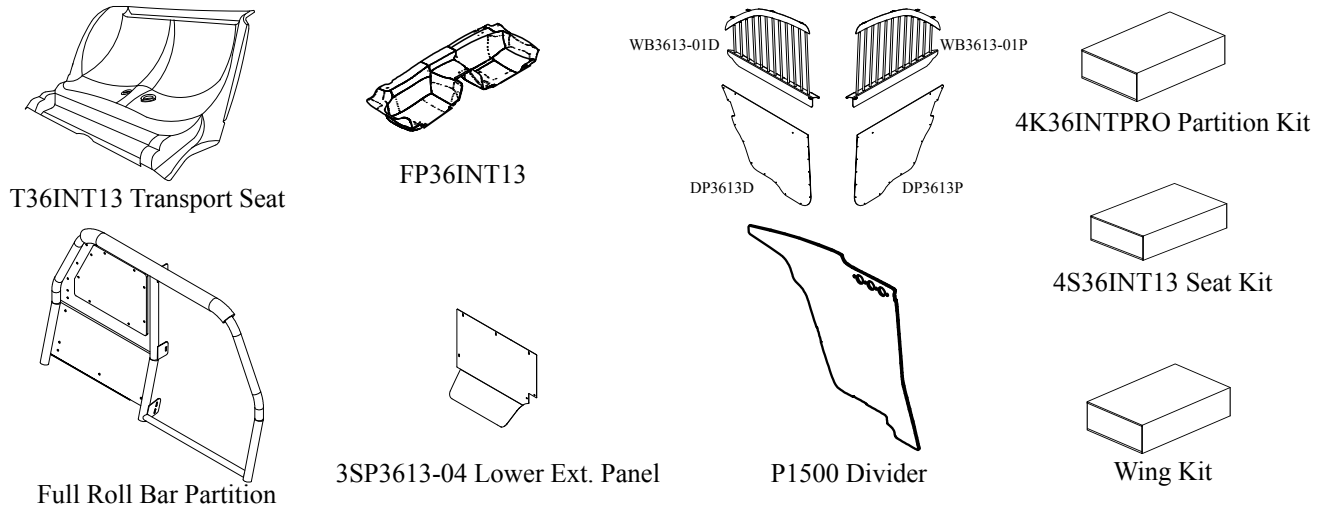
POLICE INTERCEPTOR

Pro-gard[™]
PRODUCTS LLC.

STRONG | RELIABLE | SECURE

pro-gard.com
800.480.6680

THESE COMPONENTS ARE REQUIRED
TO INSTALL THE PRO-GARD PARTITION SYSTEM



I. Refer to the diagram on the last page of these instructions to verify all parts were received.

II. The following tools will be required to complete the installation.

- | | |
|---|---------------------------|
| A. 1/4" drive ratchet with 7/16" socket | E. 3/16" Allen key |
| B. 3/8" drive ratchet and 6" extension with 15mm and 18mm socket | F. 1" Hole saw |
| C. Drill with 5/16" diameter bit | G. Drill with 3/8" Socket |
| D. Phillips Screw Driver | H. 7/16" Open End Wrench |

III. Read all instructions carefully before starting the assembly process.

NOTE: *Locate all Wiring, Fuel lines, Brake lines, Coolant lines and Refrigerant lines before drilling holes or installing self-drilling fasteners.*

IV. Removing the OEM Seat

A. Begin by lifting the front of the lower seat cushion out from the rubber grommets in the floor. Once the front of the seat is free, shove back on the seat to free it from the wire retainers holding the rear of the seat in place. Remove the seat cushion from the vehicle.

B. Remove the seat belts by removing the OEM nuts from their mounting studs. Do not remove the shoulder straps anchored at each side of the vehicle.

Note: *OEM Seat Belt Buckles will be reused later in this application.*

C. Remove the OEM rear seat back cushion by removing four OEM fasteners from the lower mounting brackets near the outside of the reinforcement frame. Release the top the rear seat from its latching brackets by pulling the release cable located in the trunk.

D. Remove the OEM latching brackets from the rear deck face.

- E. With the seat removed, the OEM child restraint loops are exposed. Remove the child restraint loops or bend them downward toward the floor.

Note: This is necessary for the Pro-gard Seat to fit properly in position.

V. Installing the ABS Floor Pan

- A. Remove the lower OEM B-pillar trim from both sides of the vehicle.
- B. Place the ABS Floor Pan in the vehicle, making sure that there are no objects underneath of it. Tuck the edges of the floor pan under the OEM B-pillar trim, the rear edges of the floor pan should be flush with the OEM scuff trim. Insure that the Floor Pan is all the way back and down against the rear seat area.

VI. Installing Floor Pan Drain Plugs.

- A. To install the Drain Plugs, mark the Plug location from the vehicle on to the ABS Floor Pan. Using 1 1/2" hole saw drill the Plug locations. Reinstall the ABS Floor Pan into the vehicle, then install the rubber grommet through the vehicle and ABS floor Pan.

Caution: Locate all Wiring, Fuel Lines, Brake Lines, and/or Cooling Lines before drilling holes.

VII. Installing the ABS Transport Seat

A. Preparing Transport Seat for installation:

1. If installing a Pro-Gard Pro-Cell Kit with center divider then, go to Step 2. If not installing a center divider, skip to Step B.
2. Drill the four dimpled locations on the center line of the seat with a 5/16" drill bit. Attach the (3P214) Divider Mounting Brackets using the supplied bolts (3X36) and whiz nuts (3X16Z), before installing the seat in to the vehicle.
3. Using a utility knife cut the stitching securing the webbing of the center shoulder belt from the passenger side seat belt buckle assembly. Insure that the buckle assembly is still connected to the OEM mounting plate. Secure the center shoulder belt, so it will remain behind the ABS Transport seat. This same process may be completed for the Driver side seat belt buckle assembly.

Note: This is an optional process making installation of the seat belt grommets and cover plates easier. You can install the grommets and cover plates without cutting or modifying the OEM seat belt systems

- B. Install the Upper Mounting Clips (3S3611-21) on the upper C-Pillar of the vehicle just under the C-Pillar trim. Locate the Mounting Clip by placing the notch on the Clip under the OEM mounting Boss of the OEM Upper C-Pillar Trim. Secure the clip using the supplied self tapping screws (3X110). See Fig. 1 & 2 below.
- C. If using the optional OEM Wire Raceway, the ABS Transport Seat will need to be trimmed to fit. Place the ABS Seat into the vehicle, mark clearance for OEM Wire Raceway. Using a cutoff tool, saw, or equivalent to trim seat to fit. Seat should be sanded or deburred for correct appearance.
- D. Place the ABS Seat in the vehicle. Tip the seat to the rear, pull the shoulder belts out of the way and slide the seat back and up until the front edge is against the seat well of the vehicle. The seat will overlap the back edge of the floor pan.
- E. Be sure the seat belts are on the outside of the seat and operate freely.

Note: The gas tank is under the rear seat in this vehicle. Use pre-drilled locations and supplied hardware only!

Fig. 1

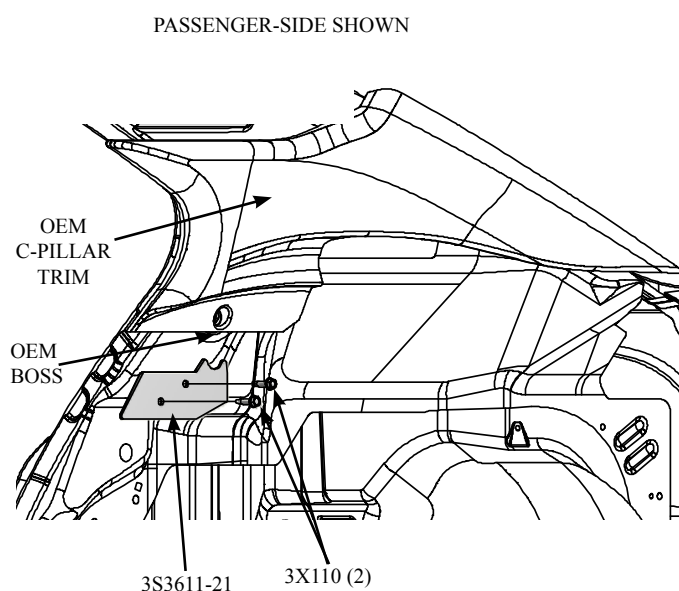
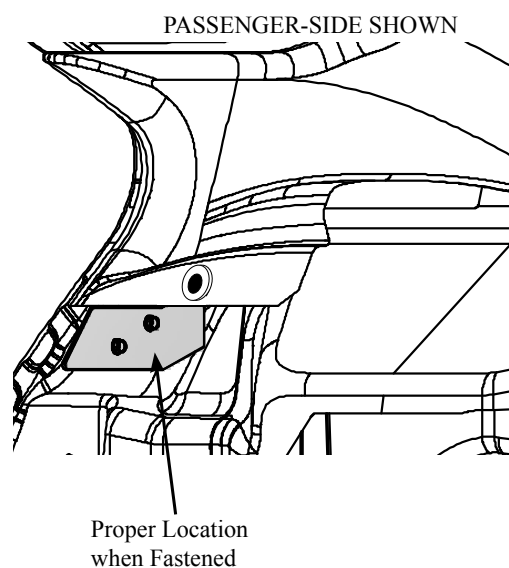


Fig. 2



Caution: Locate all Wiring, Fuel Lines, Brake Lines, and/or Cooling Lines before drilling holes or installing fasteners.

- F. Insuring that the front edge of the seat is tight against the vehicle well and the reinforcement frame secure the front lower portion of the seat to vehicle through the four recessed screw mounting locations using four 1-1/2" long (3X77) self-tapping screws and (3X78) finish washers
- G. Starting at the top of the transport seat along the edge near the rear deck. Fasten with four 1-1/2" long (3X77) self-tapping screws and (3X78) finish washers through the surface on the seat where the raised Pro-Gard lettering is seen. Be sure the upper trimmed edge of the seat is parallel with the top edge of the rear deck.

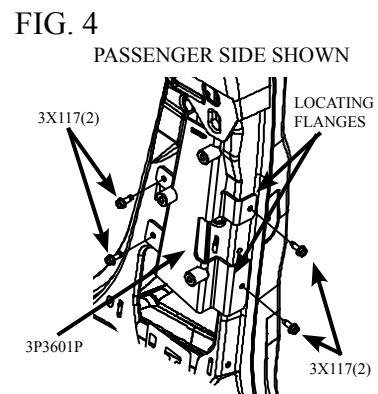
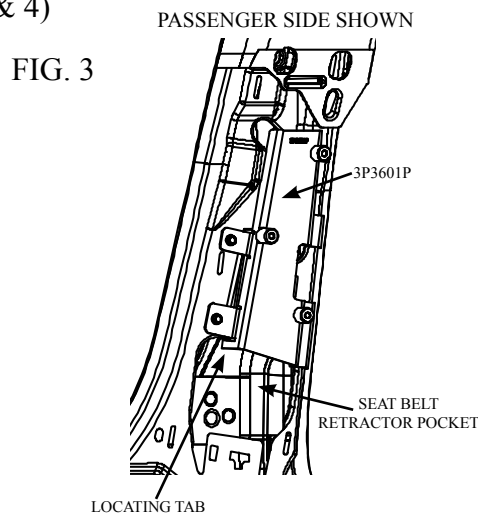
VIII. Installing the OEM Seat belts and ABS Cover Plates.

- A. Insert the seat belts, mounting lugs first, through the rubber seat belt grommets. Pass the seat belt lug through the slot in the cover plate and install the rubber grommet into the slot of the cover plate. Slide the cover plate/grommet assembly up the belt towards the buckles.
- B. Insert the OEM seat belt assemblies through the corresponding hole in the ABS Transport Seat and attach to OEM reinforcement frame mounting stud with OEM nut. Radially orient and tighten with a socket wrench. Slide cover plate and grommet assembly down the belt and into the recess in the seat. Radially orient and secure using the (3X72) Phillips truss head screws.

IX. B-Pillar Bracket Installation

- A. Place the Passenger B-Pillar bracket (3P3601P) against the B-Pillar face.
- B. Orientate the B-Pillar bracket so the bottom locating tab fits into the Seat Belt Retractor Pocket on the vehicle B-Pillar and the formed locating flanges wrap around the vehicle B-Pillar. Push up and over on the Bracket until the locating tab is at the top of the pocket and the flanges are tight against the vehicle B-Pillar edge. Insuring that the bracket is located correctly, using the supplied Self-Drilling screws (3X162) secure the B-Pillar bracket to the vehicle B-Pillar.

(See Fig. 3 & 4)

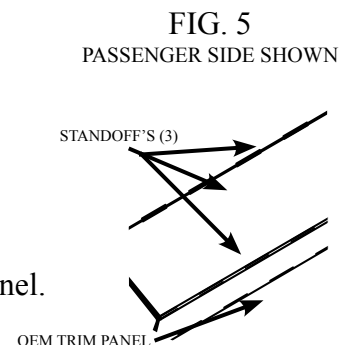


NOTE: It is critical that the seat belt strap be on the inside of the B-Pillar bracket. Test the seat belt to confirm that there is no interference and that it functions properly.

- C. Using the Driver B-pillar bracket (3P3601D) repeat process on Driver-side of the vehicle.

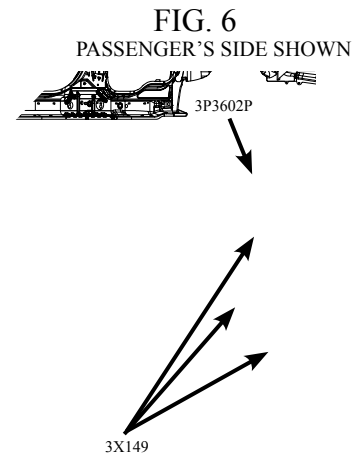
X. Drilling B-pillar Trim Panels

- A. Carefully align the template per their included instructions on to the Passenger-side trim panel. Using a 1" Hole Saw drill the clearance holes as marked on the template.
- B. Replace the trim panel, insuring that the standoff's protrude through the panel. (See Fig. 5) Repeat process on driver side trim panel.



XI. Installing Partition Mounting Plate

- A. Attach the Passenger-side Mounting Plate (3P3602P) using the supplied 5/16-18 x 3/4" Button head screws (3X149) to the Standoff's protruding through the B-pillar trim. Hand tighten fasteners only. (See Fig. 6)
- B. Repeat process on the Driver-side



XII. Partition Installation

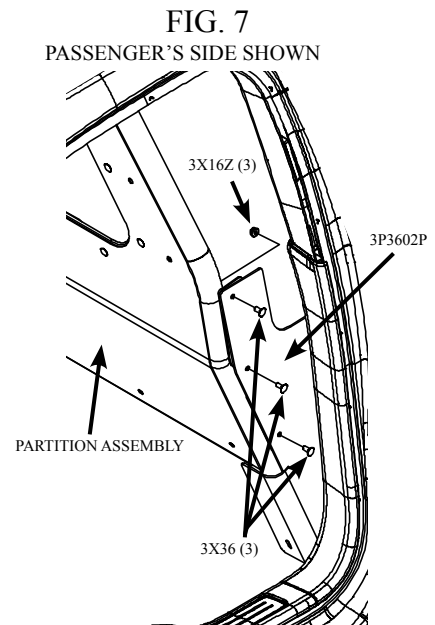
- A. Due to the weight and size of the partition, assistance from another party is highly recommended. Insert the partition into the vehicle, lift and position the partition so that it aligns with the Partition Mounting Plate and the Center Support Bracket, using the supplied 1/4-20 x 5/8" Carriage Bolts (3X36) and 1/4-20 Whiz nuts (3X16Z) secure the Partition to the Mounting Plates. Hand tighten fasteners only. (See FIG. 7)
- B. Audit the overall installation for fit and function of all components, insure all fasteners are tight.

XIII. Filler Wing Installation

- A. The Filler Wings and their mounting hardware are packed in separate box marked Wing Kit. Install the Filler Wings according to their included Install Instructions.

XIV. Seat Protector Installation

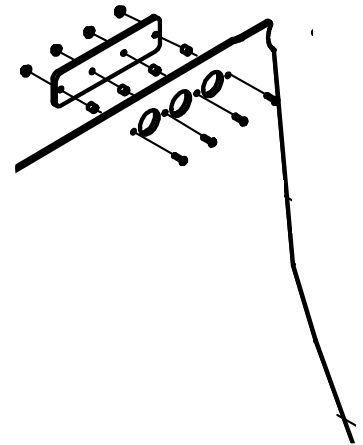
- A. The Seat Protector(s) and their mounting hardware are packed in separate box. Install the Seat Protector(s) according to their included Install Instructions.



XV. Installing the Center Divider

- A. Assemble vent plate over 3 large diameter air holes. Use (black ABS) spacers between plate and center divider. Secure using the long, Phillips head screws, black whiz nuts, and black caps. (See Fig. 8)
- B. Insert the center divider from the passenger side of the vehicle. Be sure to start with the tail of the divider, aimed toward the rear window and speaker deck area. Once you have inserted the divider, press the divider against the seat mount brackets, and then to the partition tabs.
- C. Mark all six mounting hole locations on the divider with a felt tip marker then remove the divider for drilling or drill in place if desired.
- D. Secure the divider to the seat mount brackets and to the partition using the longer 3X81 carriage bolts and 3X16Z whiz nuts provided.
- E. Once you've installed the divider, mount the divider deck bracket in place. Slide the T-bracket under the divider tail. Position the T-bracket where desired and use the (3X110) self-tapping screws to fasten the bracket into the speaker deck (See Fig. 9).

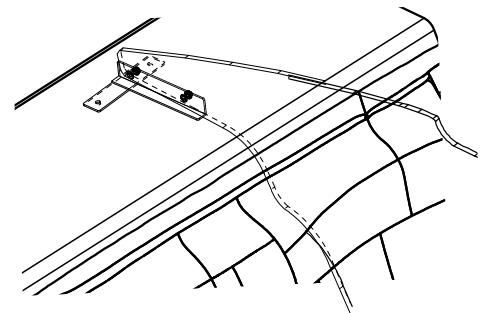
FIG. 8



XVI. OEM Door Panel Removal

- A. Remove the OEM door panel from the door frame.
Note: Save the lower two OEM fasteners, as they will be reused in ABS Panel installation.
- B. Remove the power window switch from the door panel.
- C. Secure the door latch cable to the door frame so it will not rattle.
- D. Make sure the power window switch is connected to the harness, protect it from moisture and secure the harness inside the door frame away from the window travel.

FIG. 9



E. Remove the top portion of OEM Stud (above nut) holding the window track into place.

F. Next, remove the arm rest support bracket by drilling out the three pop rivets that are holding bracket to the door frame.

XVII. ABS Door Panel Installation

A. Place the ABS Door Panel against the door and align and install the two OEM screws into the existing holes on the door (white plastic clip) and one OEM fastener that was located behind the door handle. (See Fig. 10 & 11) (Remove any other clips that would cause the ABS panel to stick out.)

B. Attach the remainder of the door panel with #8 x 5/8 self tapping screws. (See Fig. 11)

XVIII. Window Armor Installation

A. Place the Window Armor on top of the OEM rubber seal for the window. The back of the bottom bracket has a flange that will secure the bottom of the Window Armor by hooking over this rubber seal. (See Fig. 12)

B. Then place the top of the Window Armor inside the window opening. Make sure all the mounting holes line up with the inside of the window opening before securing.

C. Install the self tapping screws to properly secure the Window Armor along the top rail (4 screws). The supplied screws are a Type A-self tapping but sometimes it is necessary to drill a 7/64" pilot hole.

D. User option: Once the Window Armor is installed the installer can install the OEM trim that goes around the window. (Trim to fit)

XIX. Review the overall installation for fit and function. Tighten all fasteners. Installation is now complete.

Fig. 10
PASSENGER-SIDE SHOWN

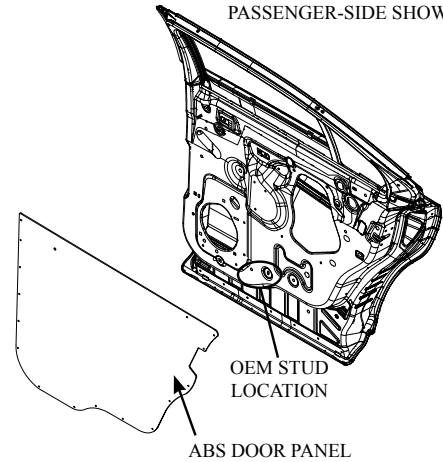


Fig. 11
PASSENGER-SIDE SHOWN

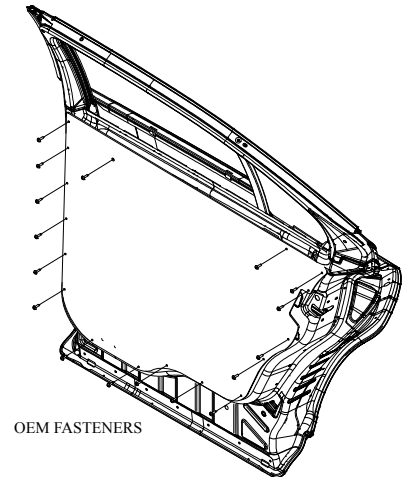
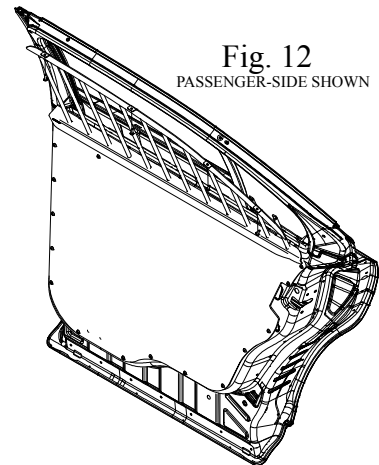
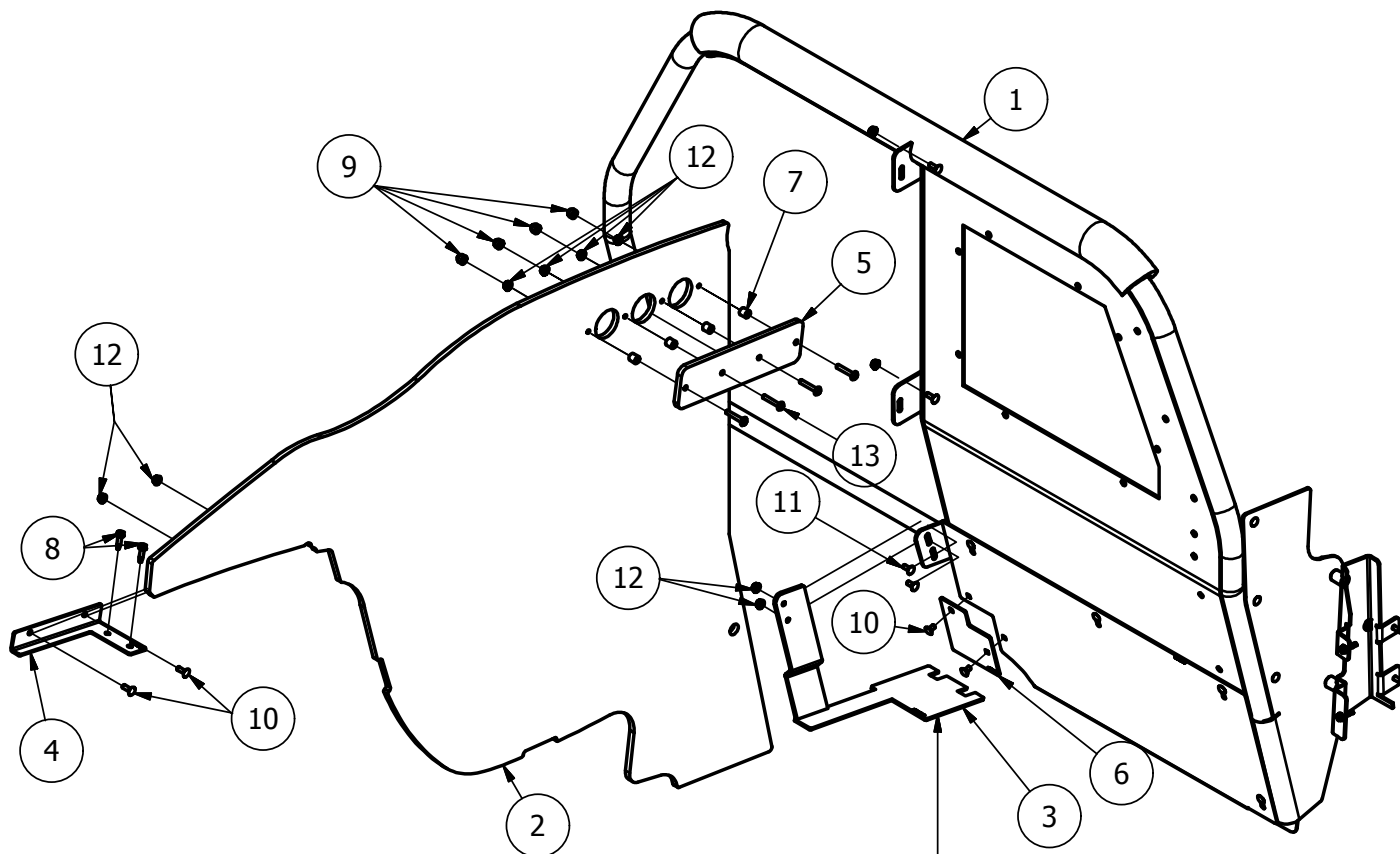


Fig. 12
PASSENGER-SIDE SHOWN





This connects and bolts to the OEM console mounting plate. Loosen OEM mounting plate and insert the center support bracket (3PRT3611-21) and tightly fasten down the console plate.

| PARTS LIST WITH REAR OEM SEAT | | | |
|-------------------------------|-----|-------------|--|
| ITEM | QTY | PART NUMBER | DESCRIPTION |
| 1 | 1 | 3P1500 | 1500 PRO-CELL PARTITION |
| 2 | 1 | 3P3613 | PRO-CELL DIVIDER |
| 3 | 1 | 3PRT3611-21 | PRE-CELL PARTITION CENTER SUPPORT BRACKET |
| 4 | 1 | 3PRT3611-22 | DIVIDER REAR SUPPORT BRACKET, MOUNTS TO REAR PACKAGE SHELF |
| 5 | 1 | 3P8010 | DIVIDER VENT PLATE |
| 6 | 1 | 3P300-D | FILLER PANEL |
| 7 | 4 | 4G5070P1 | BLACK PLASTIC SPACER |
| 8 | 6 | 3X162 | 1/4" X 3/4" SELF DRILLING SCREW |
| 9 | 22 | 3X145 | BLACK PLASTIC DECORATIVE CAP |
| 10 | 7 | 3X61 | 1/4-20 X 3/4" CARRIAGE BOLT |
| 11 | 12 | 3X36 | 1/4-20 X 5/8" CARRIAGE BOLT |
| 12 | 19 | 3X16Z | 1/4-20 WHIZ NUT, ZINC |
| 13 | 4 | 3X07 | 1/4-20 X 1-1/2" PHILIPS CAP SCREW |