

INSTALLATION GUIDE

P1500 PRO-CELL

2015

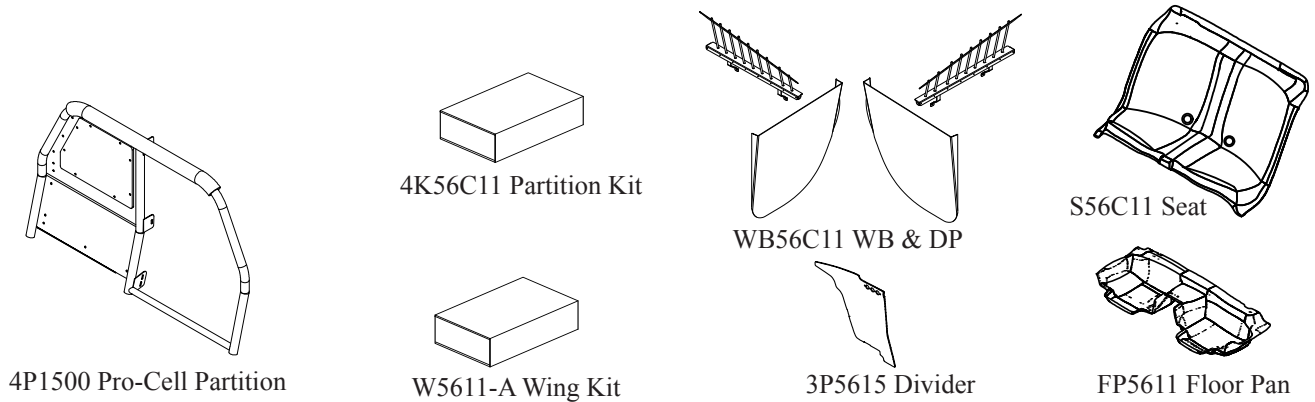
DODGE CHARGER

Pro-gard[™]
PRODUCTS LLC.

STRONG | RELIABLE | SECURE

pro-gard.com
800.480.6680

THESE COMPONENTS ARE REQUIRED
TO INSTALL THE PRO-GARD PRO-CELL SYSTEM



I. Refer to the diagram on the last page of these instructions to verify all parts were received.

II. The following tools will be required to complete the installation.

- A. 1/4" or 3/8" drive ratchet with 3/8", 7/16", 7mm, 10mm, 18mm, socket
- B. 3/16" Allen key
- C. 1" Hole saw
- D. Drill with 3/8" Socket
- E. T15 Torx Driver

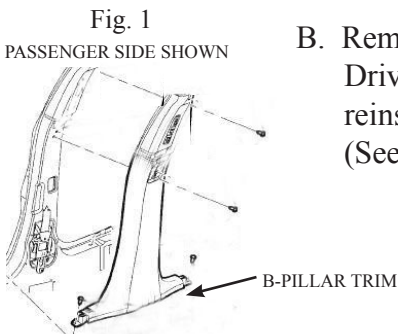
III. Read all instructions carefully before starting the assembly process.

Caution: Locate all Wiring, Fuel Lines, Brake Lines, and/or Cooling Lines before drilling holes or installing Fasteners.

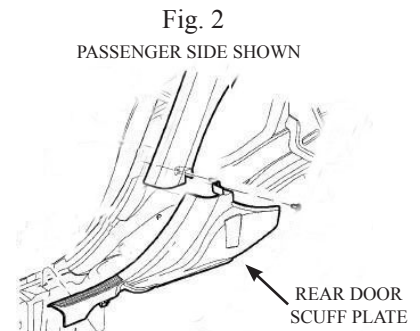
IV. Read all instructions carefully before starting the assembly process.

V. Removing the OEM Trim Panels

- A. Remove B-pillar trim on the Driver and Passenger-side. These will be reinstalled after bracket installation. Note: From the head liner down the trim is held in place by snap fasteners but the top of the trim panel is held in place with a screw. Pull head liner down and away from the trim panel and use a T15 torx driver to remove the screw. (See Fig. 1)

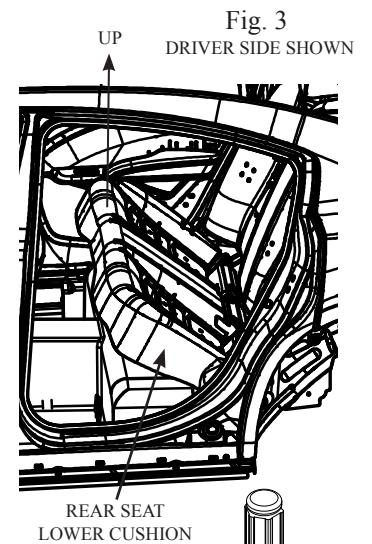


- B. Remove the Rear Door Scuff Plates on the Driver and Passenger-side. These will be reinstalled after the ABS Floor Pan Installation. (See Fig. 2)



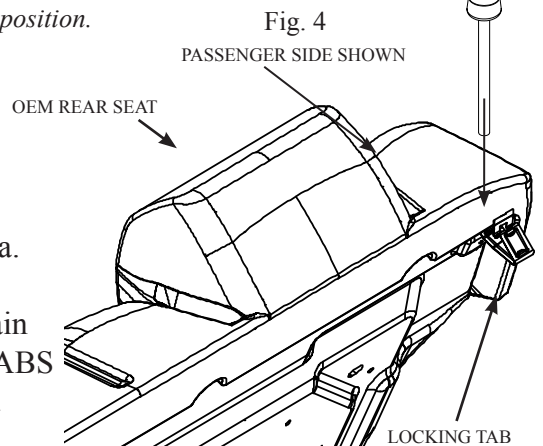
VI. Removing the OEM Seat

- A. Begin by lifting the lower seat cushion out from the rubber grommets in the floor. Once the seat is free remove from the vehicle (See Fig. 3).
- B. Remove the seat belts by removing the OEM nuts from their mounting studs. Do not remove the shoulder straps anchored at each side of the vehicle.
- C. Remove the OEM seat back cushion by removing two 18mm nuts from the lower mounting brackets near the seat belt mounting studs. Using a screwdriver and depressing from above, release the OEM spring locking tabs located on the top outer corners of the seat. (See Fig. 4)
- D. With the seat removed, the OEM child restraint loops are exposed. Remove the child restraint loops or bend them downward toward the floor. **Note:** *This is necessary for the Pro-gard Seat to fit properly in position.*



VII. Installing the ABS Floor Pan

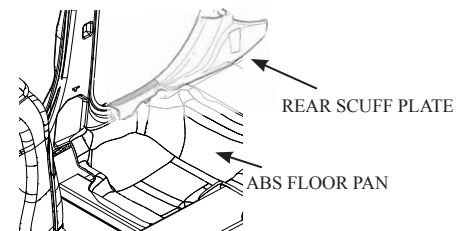
- A. Place the ABS Floor Pan in the vehicle, making sure that there are no objects underneath of it. Insure that the Floor Pan is all the way back and down against the rear seat area.
- B. **Optional** Installing of the drain plugs. To install the Drain Plugs, mark the Plug location from the vehicle on to the ABS Floor Pan. Using 1 1/2" hole saw drill the Plug locations. Reinstall the ABS Floor Pan into the vehicle, then install the rubber grommet through the vehicle and ABS floor Pan.



- C. Reinstall the OEM Rear Door Scuff Plates on the Driver and Passenger-side. (See Fig. 5)

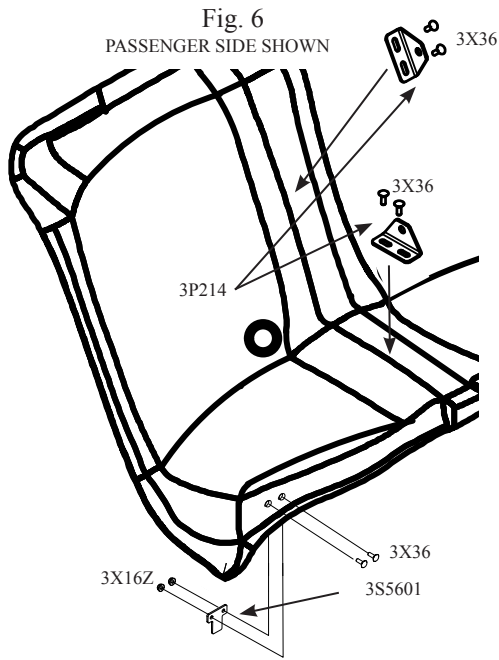
Note: *The Door Scuff Trim Plates go on top of the ABS Floor Pan.*

Fig. 5



VIII. Installing the ABS Transport Seat

- A. Mount the Seat Locating Tabs (3S5601) to the bottom of the ABS Seat using the supplied bolts (3X36) and the lock nuts (3X03). (See Fig. 6)
- B. Attach the (3P214) Divider Mounting Brackets using the supplied bolts (3X36) and whiz nuts (3X16Z), before installing the seat in to the vehicle. (See Fig. 6)
Note: *The flat side of the bracket should face the driver's side, the divider will mount flat against it.*
- C. Place the seat in the vehicle. Make sure the locating tabs slide into the OEM seat grommets in the floor of vehicle. The seat will lap over the back edge of the floor pan.
- D. The seat has a seat belt relief notches at each side. Position the seat belt straps in each relief, insuring the seat belt has free travel through out it's cycle.



E. Secure the outside front corners of the seat by using the supplied 5/8" long self-tapping screws (3X177) and finish washers (3X78) at each end of the seat near the C-pillar trim using the pre-drilled holes provided in the seat.

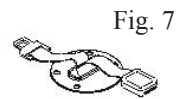
Note: The gas tank is under the rear seat in this vehicle. Use pre-drilled locations and supplied hardware only!

Caution: Locate all Wiring, Fuel Lines, Brake Lines, and/or Cooling, Lines before drilling holes or installing Fasteners.

F. Use seven 1-1/2" long (3X77) self-tapping screws and (3X78) finish washers to secure the middle front (2) and top rear (5) of the seat using pre-drilled holes provided in the seat.

IX. Installing the OEM Seatbelts and ABS Cover Plates.

A. Insert the seat belts, mounting lugs first, through the rubber seat belt grommets. Pass the seat belt lug through the slot in the seat belt cover plate and install the rubber grommet into the slot of the cover plate. Slide the cover plate/grommet assembly up the belt towards the buckles. (See Fig. 7)



C. Insert the seat belt lug through the hole in the seat and reattach to OEM mounting stud with OEM nut. Radially orient and tighten with 18mm socket wrench. Slide cover plate and grommet assembly down the belt and into the recess in the seat. Radially orient and secure using the (3X72) Phillips truss head screws.

X. B-Pillar Bracket Installation

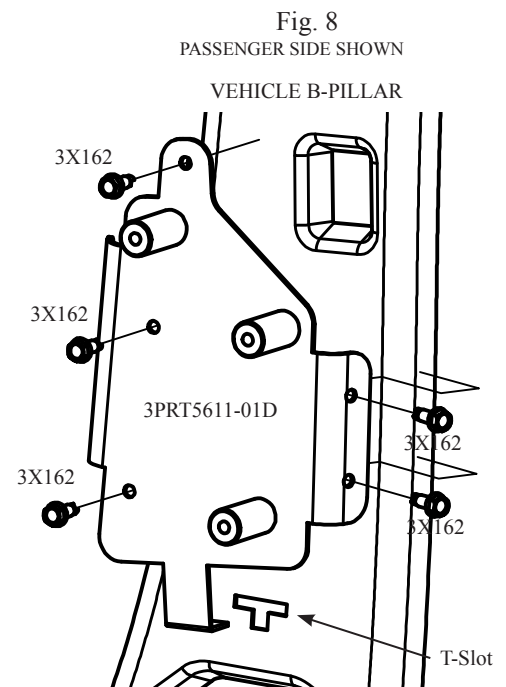
A. Place the Passenger B-pillar bracket (3PRT5611-01P) against the B-pillar face (See Fig. 8).

C. Orientate the B-pillar bracket so the bottom tab fits into the "T" slot on the B-pillar and the formed edges wrap around the B-pillar. Using the supplied Self-Drilling screws (3X162) secure the B-pillar.

D. Repeat process on the Driver's Side.

XI. Drilling B-pillar Trim Panel

A. Remove the sound insulation located inside the Passenger-side trim panel, carefully align the Template



per their included instructions. Using a 1" Hole Saw drill the clearance holes as marked on the template. Replacment of sound insulation is optional.

B. Replace the trim panel, insuring that the standoff's protrude through the panel.

XII. Installing Partion Mounting Plate

A. Attach the Passenger-side Mounting Plate (3PRT5611-02P) using the supplied 5/16-18 x 3/4" Button head screws (3X149) to the standoff's protruding through the B-pillar trim (See Fig. 9). Hand tighten only.

B. Repeat process on the Driver's side.

XIII. Installing the Partition

A. Due to the weight and size of the partition, assistance from another party is highly recommended. Insert the partition into the vehicle, lift and position the partition so that it alines with the Partition Mounting Plates, using the supplied 1/4-20 x 3/4" Carriage Bolts (3X36) and 1/4-20 Whiz nuts (3X16Z) secure the Partition to the Mounting Plates, Hand tighten only. (See Fig. 10)

V. Installing the Lower Extension Panel

A. Place the Panel against the back side parttion alinging the mounting holes. Secure with carriage bolts 3X36 and nuts 3X16Z four places.

XVI. Installing the Center Divider.

A. Assemble vent plate over 3 large diameter air holes. Use (blk ABS) spacers between plate and center divider. Secure using the long, Philips head screws, black whiz nuts, and black caps. (See fig. 11)

B. Insert the center divider from the passenger side of the vehicle. Be sure to start with the tail of the divider, aimed toward the rear window and speaker deck area. Once you have inserted the divider, the divider against the seat mount brackets, and then to the partition tabs Mark all mounting hole locations on the divider with a felt tip marker then remove the divider for drilling or drill in place if desired.

Fig. 9
PASSENGER SIDE SHOWN

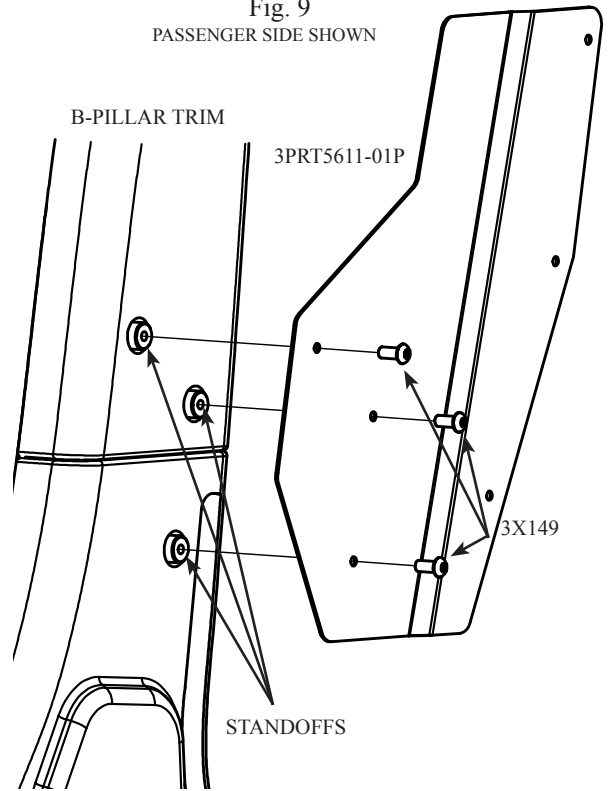


FIG. 10
PASSENGER SIDE SHOWN

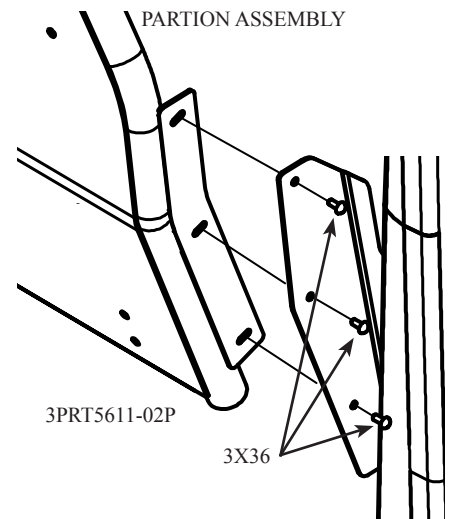
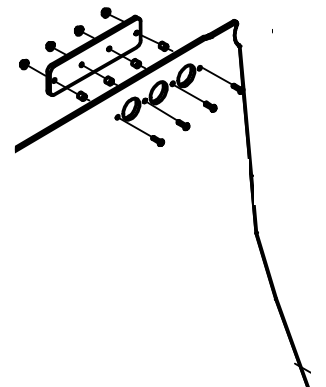


FIG. 11



C. Once you've installed the divider, mount the divider deck bracket in place. Slide the T-bracket under the divider tail. Position the T-bracket where desired and use the (3X110) self-tapping screws to fasten the bracket into the speaker deck (See Fig. 12).

D. Use the existing holes and slots on the bracket as a template, and drill holes to secure each area using the 3X61 carriage bolts and the 3X16Z whiz nuts.

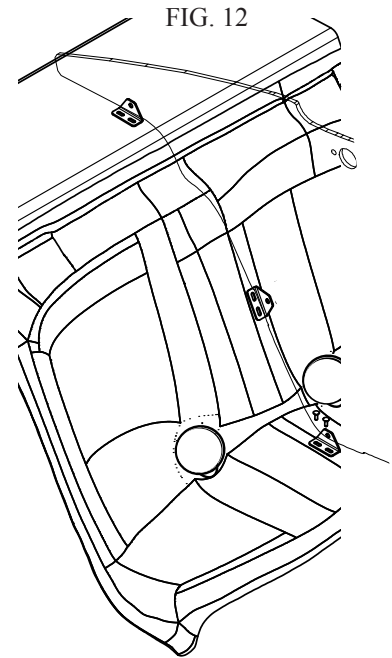


FIG. 12

XVII. Air Bag wing Installation

A. The Filler Wings and their mounting hardware are packed in separate box marked Wing Kit. Install the Filler Wings according to their included Install Instructions. (See Fig. 1)

XVIII. Door Panel Instalation.

A. The Door Panels and their mounting hardware are packed in separate box marked DP5611 . Install the Door Panels according to their included Install Instructions. (See Fig. 14)

XIX Window Barrier Instalation

A. The Window Barriers and their mounting hardware are packed in separate box marked WB56C11. Install the Window Barriers according to their included Install Instructions. (See Fig. 14)

XX. Finalize Instalation

A. Audit the overall installation for fit and function of all components. Once satisfied, insure all fasteners are tight.

B. Instalation is now complete

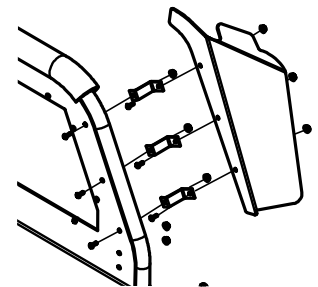


FIG. 13

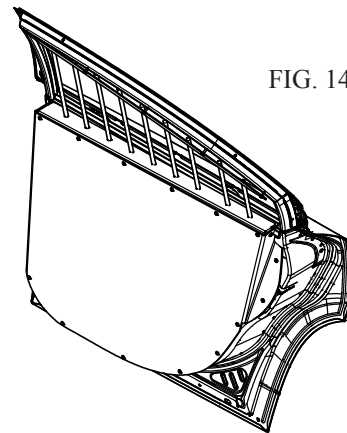


FIG. 14

PARTS LIST

ITEM	QTY	PART NUMBER	DESCRIPTION
1	1	VARIES	PARTITION ASSEMBLY
2	1	3PRT5611-01D	MOUNT BRACKET - DRV, B-PILLAR
3	1	3PRT5611-01P	MOUNT BRACKET - PASS, B-PILLAR
4	1	3PRT56611-02D	PARTION MOUNTING PLATE - DRV
5	1	3PRT5611-02P	PARTION MOUNTING PLATE - PASS
6	10	3X167	SLF DRILL SCREW, #14 x 3/4"
7	6	3X149	BHCS, 5/16-18 x 3/4"
8	15	3X16Z	WHIZ NUT - LARGE , 1/4-20
9	3	3X36	CARRIAGE BOLT, 1/4-20 x 3/4"
10	1	3P5615	CENTER DIVIDER, 3/8" POLYCARBONATE
11	1	3SP5611-01	LOWER EXTENSION PANEL - PRO-CELL
12	1	FP56C06	ABS FLOOR PAN
13	1	TT56C06	ABS TRANSPORT SEAT
14	3	3P214	BRACKET - DIVIDER, MOUNTING
15	2	3P5601	MOUNTING TAB - SEAT
16	1	3P8010	VENT PLATE - DIVIDER
17	4	4G5070PI	SPACER - BLK PLASTIC, 3/8"
18	4	3X16	WHIZ NUT, 1/4-20 BLK GR8
19	4	3X07	PHTS, BLK 1/4-20 X 1 1/2"
20	1	3S601	DRAIN PLUG
21	1	3X61	1/4-20 x 3/4" CARRAIGE BOLT
22	1	DP56C11P	ABS DOOR PANEL, PASSENGER
23	1	DP56C11D	ABS DOOR PANEL DRIVER
24	1	WB56C11-01P	WINDOW BARRIER, PASSENGER
25	1	WB56C11-01D	WINDOW BARRIER, DRIVER
26	1	W5611-A/W5611-R	WING KIT

