

# **INSTALLATION GUIDE**

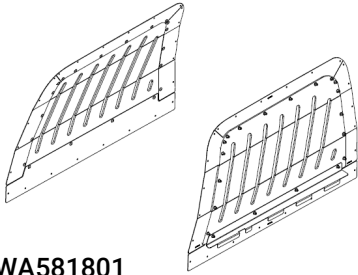
**2018 - CURRENT  
FORD EXPEDITION  
POLY WINDOW ARMOR WITH ABS DOOR PANEL  
WBP58EXPD18 / DP58EXPD18**

**Pro-gard**<sup>TM</sup>  
PRODUCTS LLC.

**STRONG. RELIABLE. SECURE.**

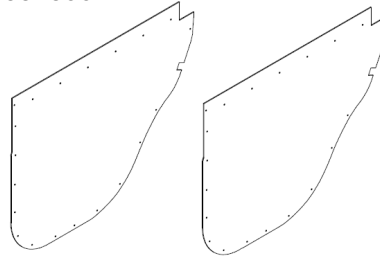
**THESE COMPONENTS ARE REQUIRED  
TO INSTALL THE REAR WINDOW ARMOR WITH DOOR PANEL**

4RWA581800



4RWA581801

3DRP581800



3DRP581801



4DRP58102



3X299

**I. The following tools will be required to complete the installation**

A. #2 Phillips driver

B. 7/64" Drill bit

C. 3/32" Hex bit

**II. Read all instructions and refer to the last page to ensure all parts were received**

---

**WARNING:** *Locate all wiring, fuel lines, brake lines, coolant lines, and refrigerant lines before drilling any holes or installing any self-drilling fasteners.*

---

**III. OEM Door Panel Removal**

A. Open passenger and driver rear doors and roll down both windows.

B. Choose a side and remove the OEM door panel. (Fig. 1)

C. Remove the speaker from the door.

D. Remove door trim piece on hinge side of door.

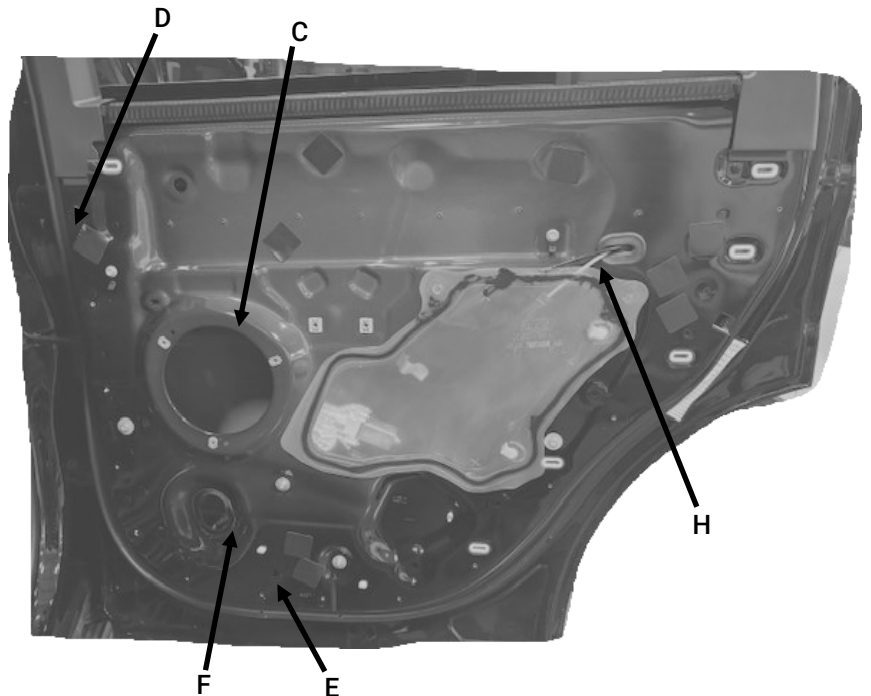
E. Remove plastic door panel standoff.

F. Secure wiring harnesses and associated plugs by tape, cable tie and insert into door shell where possible.

G. Remove power window switch from door panel and re-connect it to vehicle wiring harness. Protect it from moisture and secure inside the door frame away from window travel.

H. Secure door latch and lock cable to prevent rattle.

I. Repeat for the opposite side.



## IV. Window Armor and Door Panel Assembly

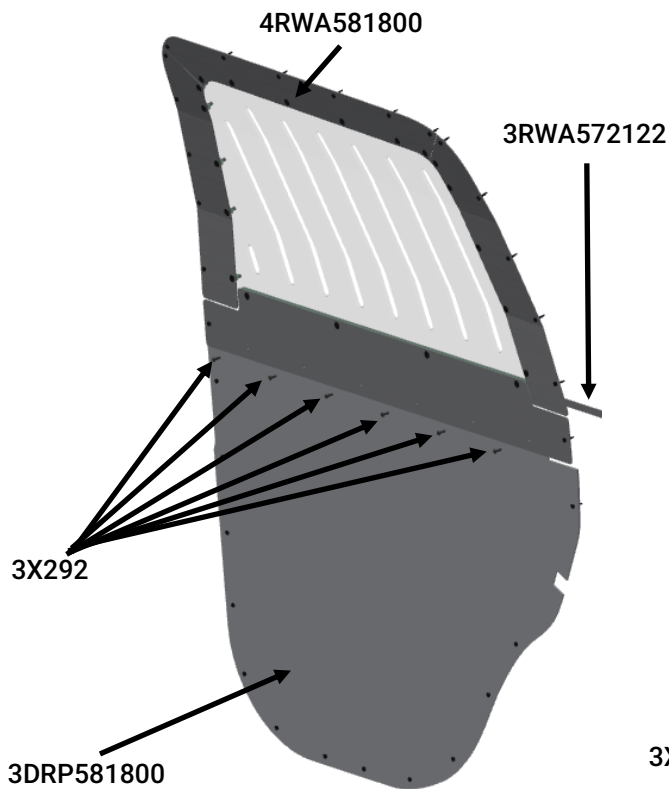


Fig. 2

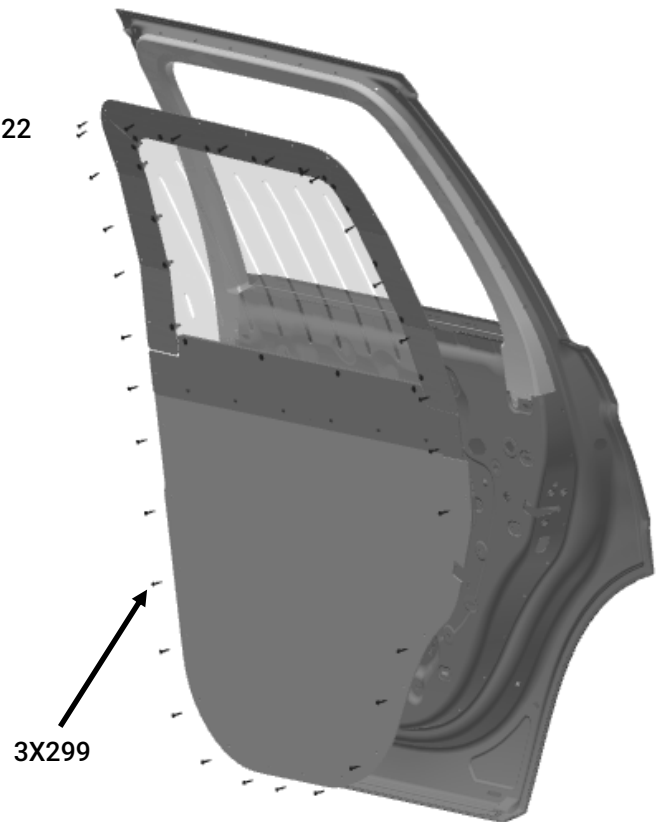


Fig. 3

- A. Assemble Window Bar [4RWA581800] to Door Panel [3DRP581800] using the Door Panel Nut Plate [3RWA572122] and (6) #8 screws [3X292]. (Fig. 2)
- B. Repeat for the opposite side using Window Bar [4RWA581801], Door Panel [3DRP581801], the second Nut Plate [3RWA572122] and the remaining (6) #8 screws [3X292].

## V. Armor and Door Panel Installation

- A. Raise the window armor and door panel assembly above the vehicle door and insert the lower frame flanges into the window track. It is necessary to push on the front side of the lower window armor bracket in order to flex the window armor into place on the door. (Fig. 3)
- B. Press the flanges into the door track and center the assembly on the door.
- C. Align the upper bracket of the frame to the vehicle window trim.
- D. Ensure the door panel is aligned with the door.
- E. Once fitted satisfactorily, drive (16) self-drilling screws [3X299] into the upper door. (Fig. 3)
- F. Drive (2) more screws [3X299] through the lower bracket into the door.
- G. Drive the remaining (13) screws [3X299] into the door panel and door. If necessary, drill a 7/64" pilot hole.
- H. Repeat for the opposite side.

**Installation complete**

If you have any problems with this installation or have any questions please call (800-480-6680) and ask for technical assistance.

PARTS LIST			
ITEM	QTY	PART NUMBER	DESCRIPTION
1	1	3DRP581800	DOOR PANEL PS EXPD 18
2	1	3DRP581801	DOOR PANEL DS EXPD 18
3	1	4DRP58102	DOOR PANEL KIT EXPD 18
4	1	4RWA581800	PASS POLY WINDOW BAR EXPD 18
5	1	4RWA581801	DR POLY WINDOW BAR EXPD 18
6	1	3X299	#8X3/4" SELF DRILLING PAN HEAD BLACK

