

INSTALLATION GUIDE

PB5611 PUSH BUMPER

HARDWARE KIT

2011 - 2014 DODGE

CHARGER

Pro-gard[™]
PRODUCTS LLC.

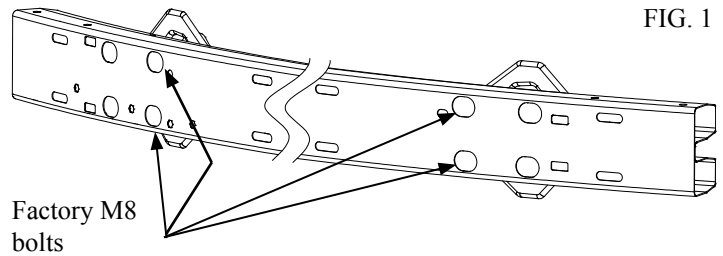
STRONG | RELIABLE | SECURE

pro-gard.com
800.480.6680

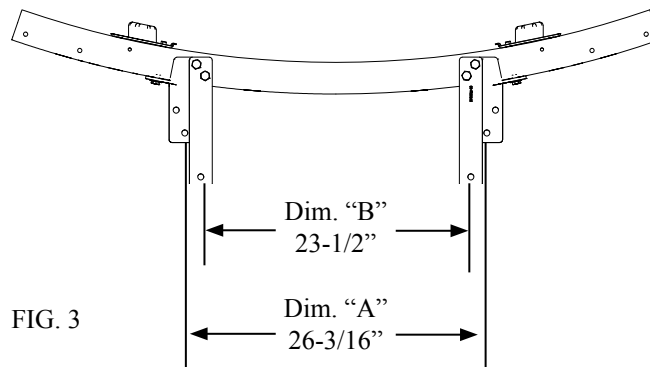
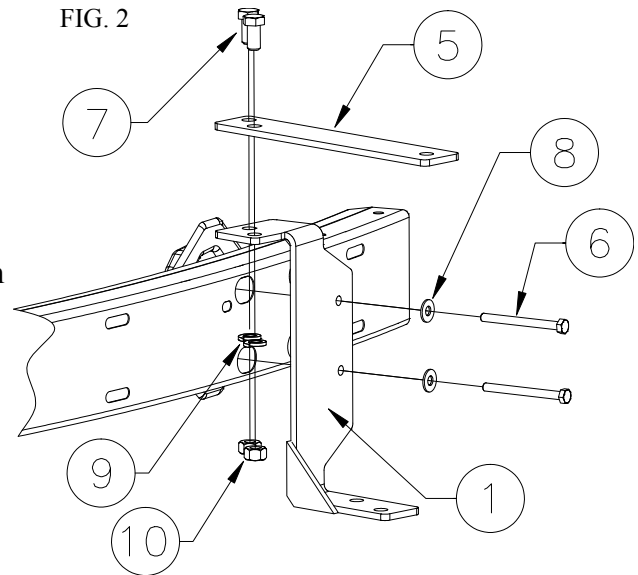
THESE COMPONENTS ARE REQUIRED
TO ASSEMBLE THE PRO-GARD PUSH BUMPER HARDWARE KIT

- I. You will need the following tools:
- a. Ratchet with 13mm Socket
 - b. 3/4" Socket
 - c. 3/4" open or box end wrench
 - d. Phillips screw driver
- II. Please be sure to read all instructions before installation and do not fully tighten any of the bolts until all bolts have been hand started

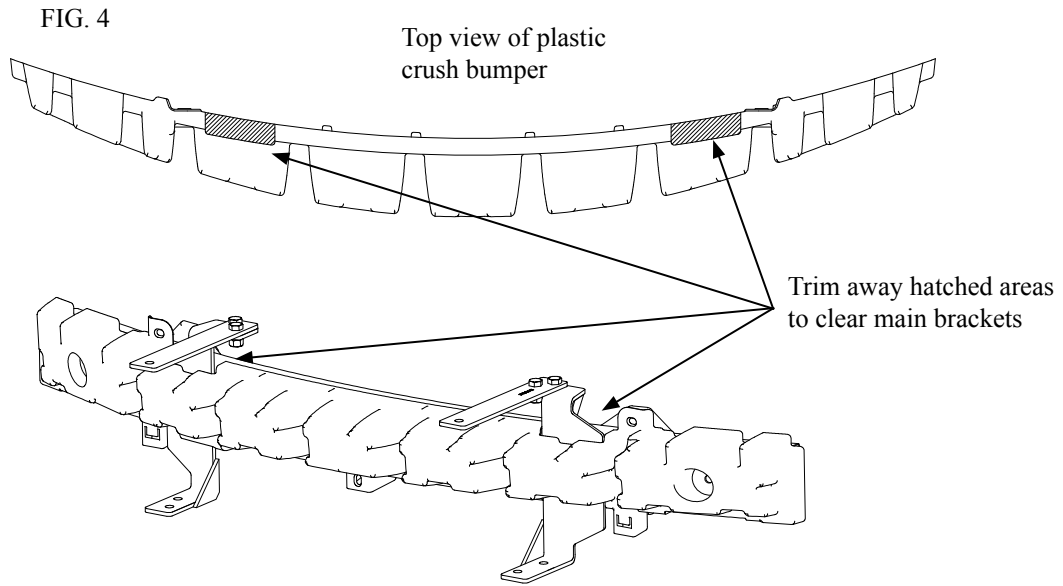
1. Remove the vehicle's front fascia to expose the crush bumper. Remove the two (2) inner most factory M8 bolts from the bumper on each side, four (4) total. See Fig. 1



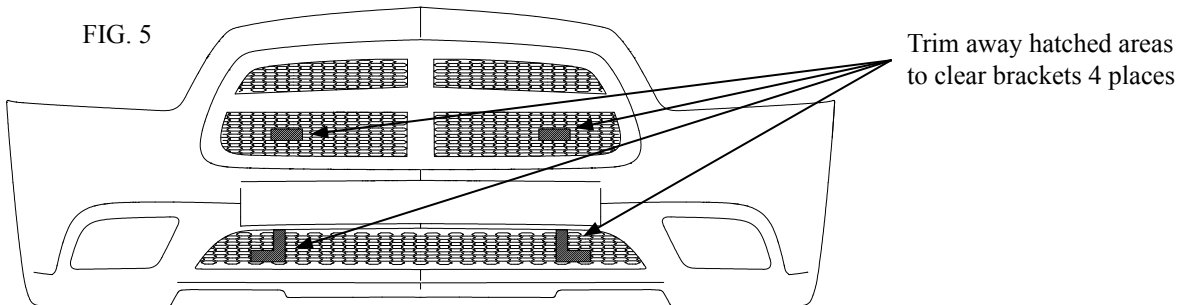
2. Using provided M8 bolts (6) (Clear Zinc) and 3/8" flat washers (8) (Yellow), install main bracket (1) on driver side of car. See Fig. 2
Leave bolts finger tight.
Repeat for passenger side using bracket (3).
3. Refer to Fig. 3, dimension "A" and tighten main bracket bolts.
4. Install the upper brackets (5), using 1/2-18 x 1" bolt (7), 1/2" split ring washer (9) and 1/2-18 nut (10). See Fig. 2
5. Refer to Fig. 3, dimension "B" and tighten upper brackets.



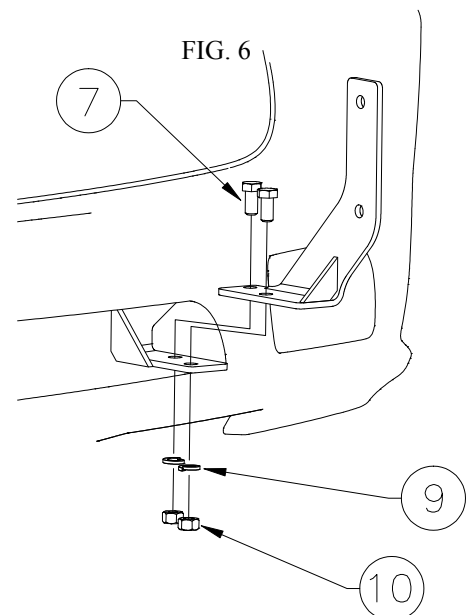
6. Remove the vehicle's plastic crush bumper from the fascia. Trim to fit per Fig. 4.



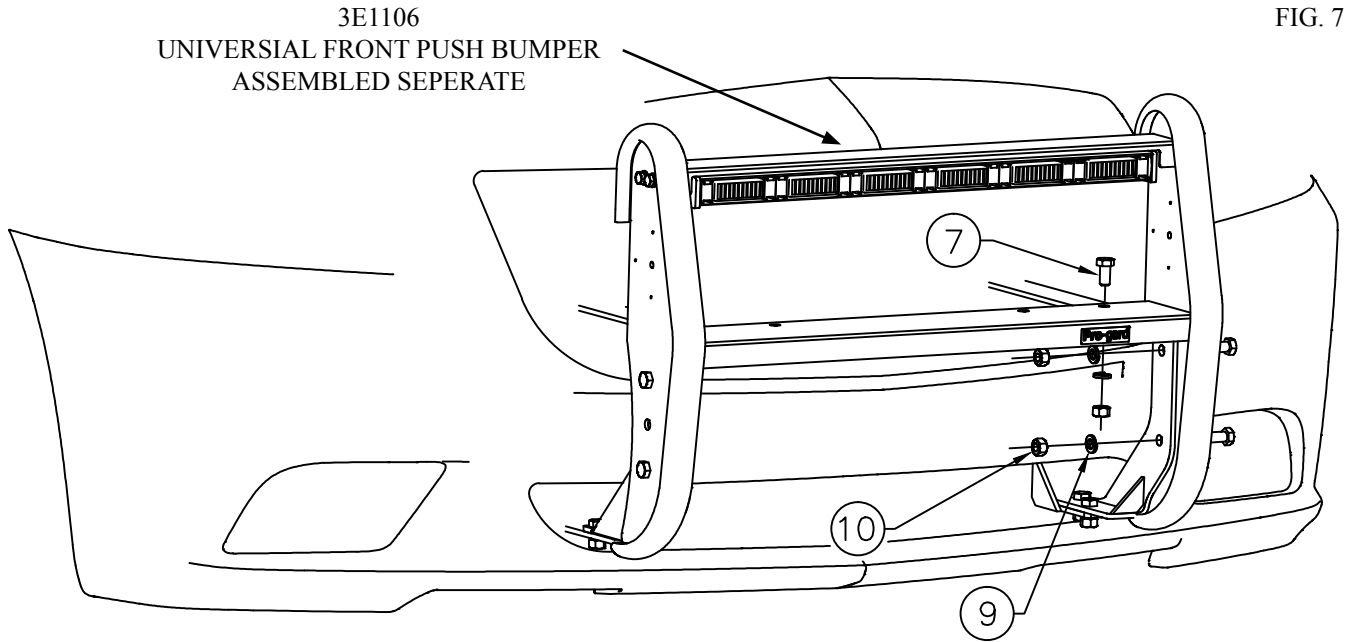
7. Reassemble the plastic crush bumper to the fascia. Place the fascia to the front of the vehicle and mark where the upper and lower brackets extend through the grill. Cut the grill to clear the brackets. See Fig. 5.

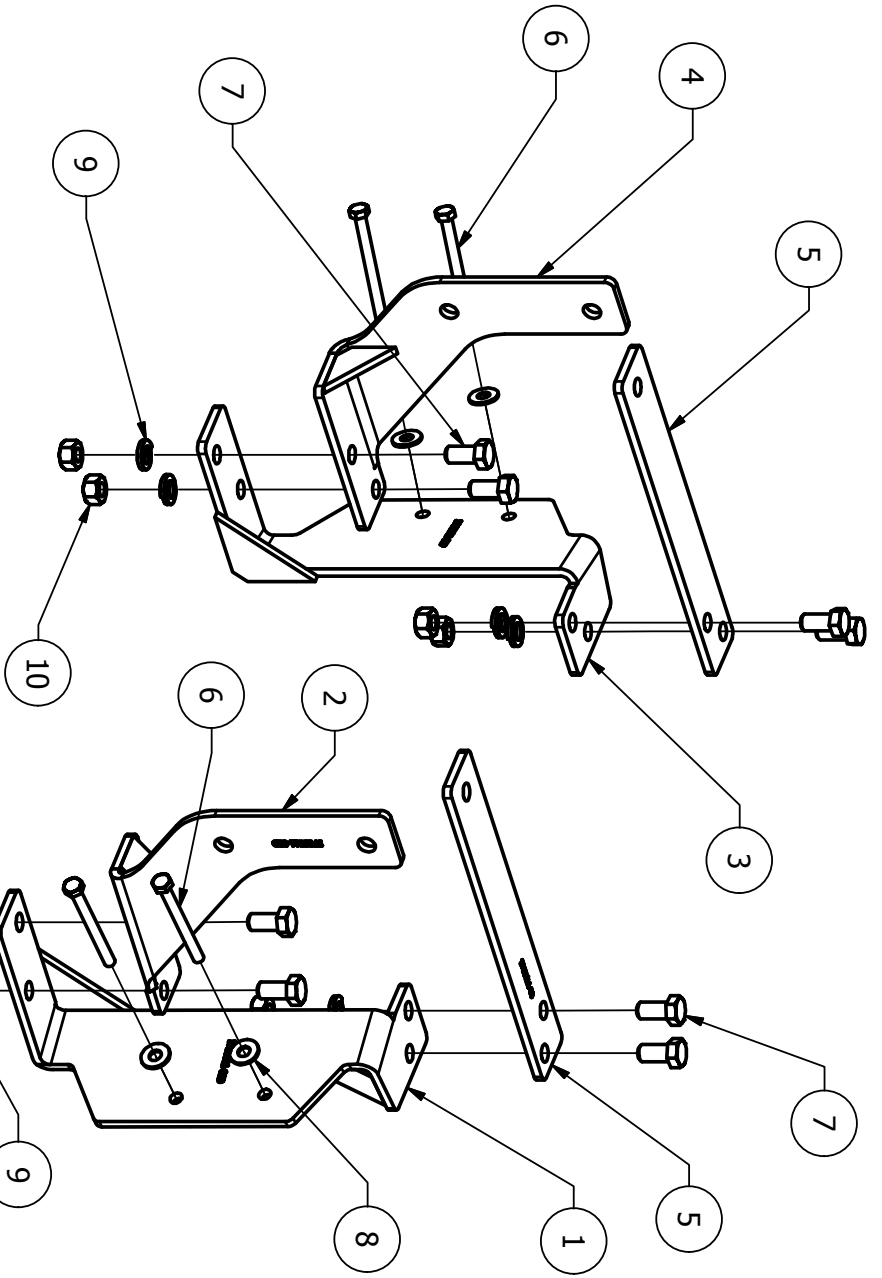


8. Reassemble the fascia to the vehicle.
9. Install the lower bracket (2) on driver side of car, using 1/2-18 x 1" bolt (7), 1/2" split ring washer (9) and 1/2-18 nut (10). See Fig. 6
Repeat for passenger side using bracket (4).



10. Follow assembly instructions included with push bumper 3E1106 and assemble push bumper.
11. Install push bumper to the vehicle, using 1/2-18 x 1" bolt (7), 1/2" split ring washer (10) and 1/2-18 nut (9). See Fig. 7





PARTS LIST

ITEM	QTY	PART NUMBER	DESCRIPTION
1	1	3PB5611-01D	MAIN BRACKET, DRV
2	1	3PB5611-02D	LOWER BRACKET, DRV
3	1	3PB5611-01P	MAIN BRACKET, PASS
4	1	3PB5611-02P	LOWER BRACKET, PASS
5	2	3PB5611-03	UPPER BRACKET
6	4	3X196	M8-1.25x90mm HEX CAP SCREW ZINC
7	14	3X174	1/2-13 x 1" HHCS, GR8, BIK Zn/C
8	4	3X113	3/8" FLAT WASHER, YEL ZINC
9	14	3X175	1/2" WSPR SPLIT LOCK, BIK Zn/C
10	14	3X176	1/2-13 NUT, GR8, BIK Zn/C

2011 - 2014 Dodge Charger Push Bumper Installation Addendum

Follow the installation process listed below when installing the Universal Sedan Push Bumper:

1. Follow the included install instructions for installing mounting hardware part numbers 3PB5611-01D & P through 3PB5611-03.
2. Re-install the OEM front fascia (bumper cover) to the vehicle.
3. Now the push bumper front face may be installed. When installing the push bumper front face (D), be sure upper support brackets 3PB5611-03 (B) mount on top of the main support rail (C). See Fig. 1 & 2 below. Install mounting hardware 3X174 bolts (A) through bracket part number 3PB5611-03 (B) first and then through the holes in the main support rail of the push bumper.
4. Continue installation following standard installation instructions
5. Finalized installation should look like Fig. 2 below.

