

INSTALLATION GUIDE

P1000C11A PRO-CELL

2011 - 2014

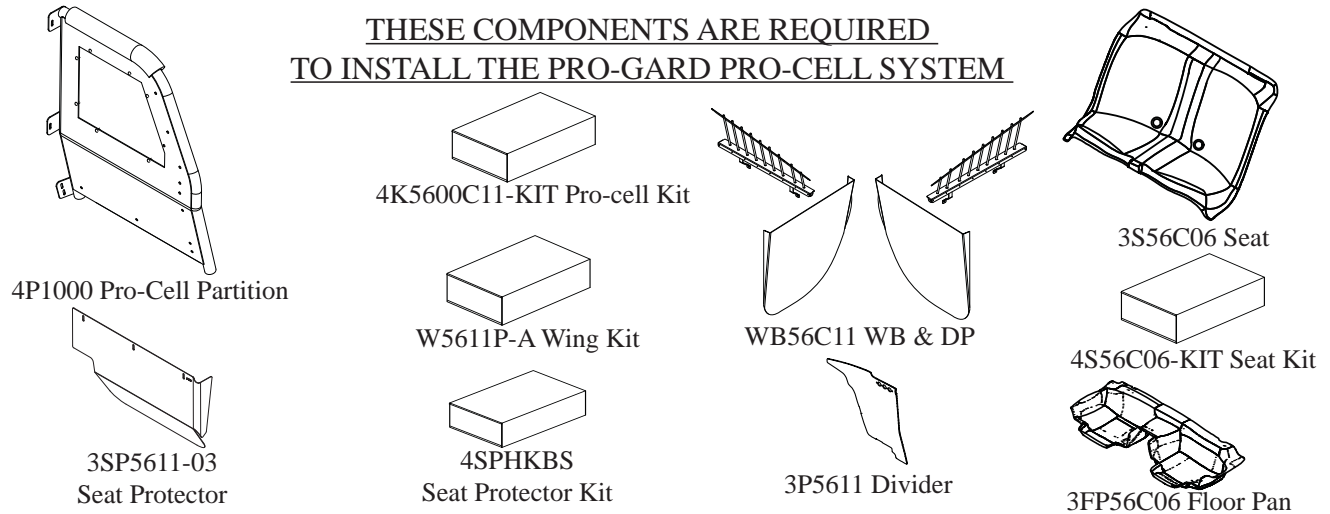
DODGE CHARGER

Pro-gard[™]
PRODUCTS LLC.

STRONG | RELIABLE | SECURE

pro-gard.com
800.480.6680

THESE COMPONENTS ARE REQUIRED
TO INSTALL THE PRO-GARD PRO-CELL SYSTEM



I. Refer to the diagram on the last page of these instructions to verify all parts were received.

II. The following tools will be required to complete the installation.

- A. 1/4" or 3/8" drive ratchet with 3/8", 7/16", 7mm, 10mm, 18mm, socket
- B. 3/16" allen key
- C. 1-1/2" hole saw
- D. Drill with 3/8" socket
- E. T15 torx driver

III. Read all instructions carefully before starting the assembly process.

Caution: Locate all Wiring, Fuel Lines, Brake Lines, and/or Cooling Lines before drilling holes or installing Fasteners.

IV. Removing the OEM Trim Panels

- A. Remove B-pillar trim on the driver and passenger-side. These will be reinstalled after bracket installation. Note: From the head liner down the trim is held in place by snap fasteners but the top of the trim panel is held in place with a screw. Pull head liner down and away from the trim panel and use a T15 torx driver to remove the screw. (See Fig. 1)

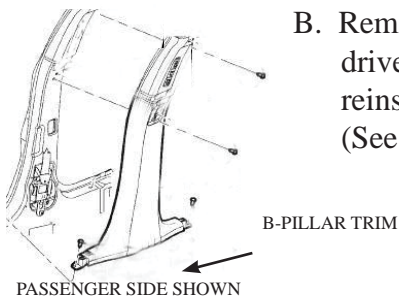


Fig. 1

- B. Remove the rear door scuff plates on the driver and passenger-side. These will be reinstalled after the ABS floor pan installation. (See Fig. 2)

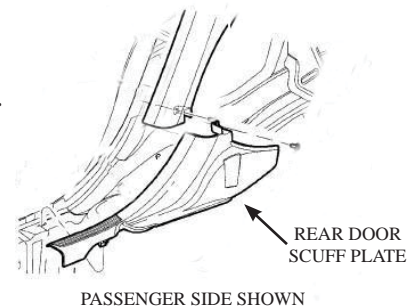
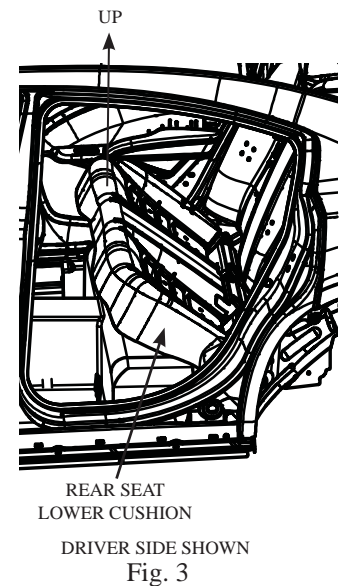


Fig. 2

V. Removing the OEM Seat

- A. Begin by lifting the lower seat cushion out from the rubber grommets in the floor. Once the seat is free remove from the vehicle (See Fig. 3).
- B. Remove the seat belts by removing the OEM nuts from their mounting studs. Do not remove the shoulder straps anchored at each side of the vehicle.
- C. Remove the OEM seat back cushion by removing two 18mm nuts from the lower mounting brackets near the seat belt mounting studs. Using a screwdriver and depressing from above, release the OEM spring locking tabs located on the top outer corners of the seat. (See Fig. 4)
- D. With the seat removed, the OEM child restraint loops are exposed. Remove the child restraint loops or bend them downward toward the floor. **Note:** *This is necessary for the Pro-gard seat to fit properly in position.*



VI. Installing the ABS Floor Pan

- A. Place the ABS floor pan in the vehicle, making sure that there are no objects underneath of it. Insure that the floor pan is all the way back and down against the rear seat area.

Note: *The floor pan does not cover the OEM seat grommets.*

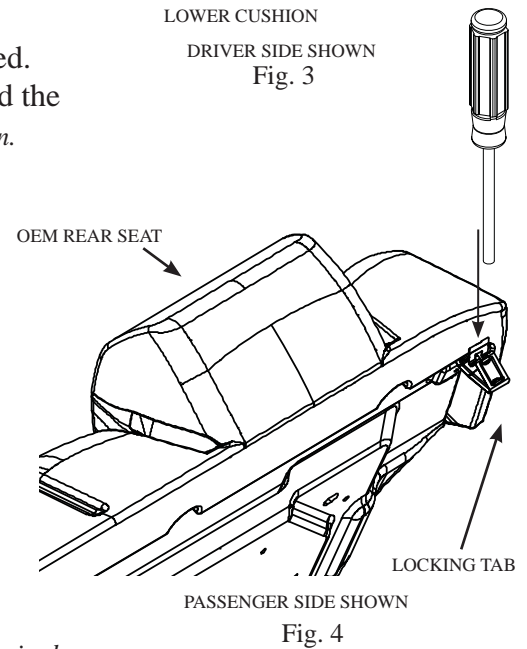
Note: *Floor pan may require securing to vehicle near "B" pillar with screws*

- B. Reinstall the OEM rear door Scuff plates on the driver and passenger-side. (See Fig. 5)

Note: *The door scuff trim plates go on top of the ABS floor pan.*

Note: *Minor trimming to the lower portion of the door scuff trim may be required.*

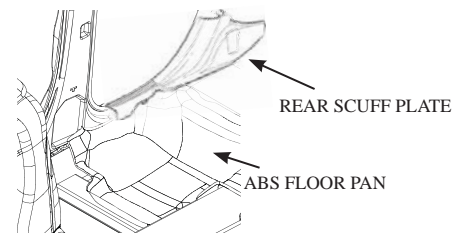
Note: *For a more secure fit, a screw where the door scuff trim and the "B" pillar trim overlap may be required.*

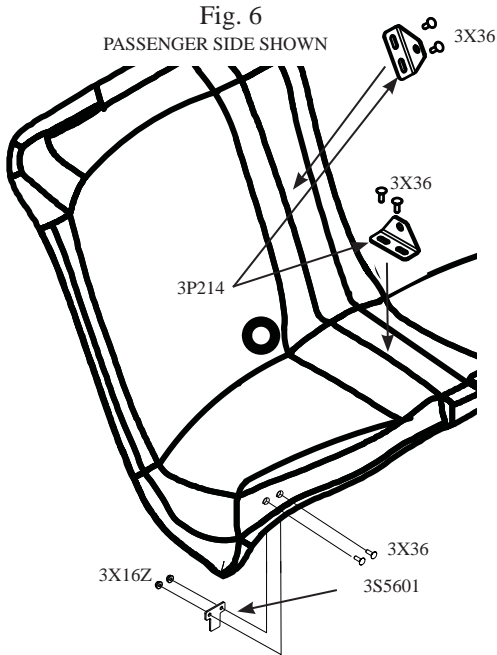


VIII. Installing the ABS Transport Seat

Note: *Try not to put body-weight on the seat until all fasteners are installed to insure the seat remains in the correct position.*

- A. Mount the seat locating tabs (3S5601) to the bottom of the ABS Seat using the supplied bolts (3X36) and the lock nuts (3X03). (See Fig. 6)
- B. If installing a Pro-cell, attach the (3P214) divider mounting brackets using the supplied bolts (3X36) and whiz nuts (3X16Z), before installing the seat in to the vehicle. (See Fig. 6)
Note: *The flat side of the bracket should face the driver's side, the divider will mount flat against it.*
- C. Place the seat in the vehicle. Make sure the locating tabs slide into the OEM seat grommets in the floor of vehicle. The seat will lap over the back edge of the floor pan.





- D. The seat has a seat belt relief notches at each side. Position the seat belt straps in each relief, insuring the seat belt has free travel through out it's cycle.
- E. Use five 1-1/2" long (3X77) self-tapping screws and (3X78) finish washers to secure the top of the seat using pre-drilled holes provided in the seat.
- F. Secure the outside front corners of the seat by using the supplied 5/8" long self-tapping screws (3X177) and finish washers (3X78) at each end of the seat near the C-pillar trim using the pre-drilled holes provided in the seat.

Note: The gas tank is under the rear seat in this vehicle. Use pre-drilled locations and supplied hardware only!

Caution: Locate all Wiring, Fuel Lines, Brake Lines, and/or Cooling, Lines before drilling holes or installing fasteners.

G. Use two (3X77) screws to secure the middle front of the seat.

IX. Installing the OEM Seatbelts and ABS Cover Plates

A. Prep seat belt assemblies at this point by removing the plastic sheath around base of each set of belts, and by removing the brass washer holding the center belts together at the mounting plate.

B. Insert the seat belts, mounting lugs first, through the rubber seat belt grommets. Pass the seat belt lug through the slot in the seat belt cover plate and install the rubber grommet into the slot of the cover plate. Slide the cover plate/grommet assembly up the belt towards the buckles. (See Fig. 7)



Fig. 7

C. Insert the seat belt lug through the hole in the seat and reattach to OEM mounting stud with OEM nut. Radially orient and tighten with 18mm socket wrench. Slide cover plate and grommet assembly down the belt and into the recess in the seat. Radially orient and secure using the (3X72) Phillips truss head screws.

IX. B-Pillar Bracket Installation

A. Place the passenger B-pillar bracket (3PRT5611-01P) against the B-pillar face (See Fig. 8).

B. Orient the B-pillar bracket so the bottom tab fits into the "T" slot on the B-pillar and the formed edges wrap around the B-pillar. Using the supplied self-drilling screws (3X162) secure the B-pillar.

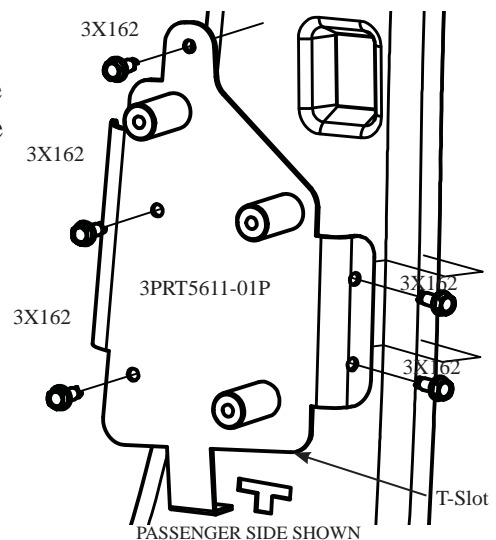


Fig. 8

X. Drilling B-pillar Trim Panel

A. Remove the sound insulation located inside the passenger-side trim panel, carefully align the template per their included instructions. Using a 1" hole saw drill the clearance holes as marked on the template. Replacement of sound insulation is optional.

B. Replace the trim panel, insuring that the standoffs protrude through the panel.

XI. Installing Partition Mounting Plate

A. Attach the passenger-side mounting plate (3PRT5611-02P) using the supplied 5/16-18 x 3/4" button head screws (3X149) to the standoffs protruding through the B-pillar trim (Fig. 9). Hand tighten only.

XII. Installing Center Hump Mount Bracket

A. Insure that the OEM center console is removed.

B. Install the center hump mount bracket (3PRT5611-03) using the OEM console mount tabs, secure with the included screws (3X162). (Fig. 10)

XIII. Installing the Partition

A. Insert the partition into the vehicle, lift and position the partition so that it aligns with the partition mounting plate, and center support bracket. Secure the partition using the supplied 1/4-20 x 3/4" carriage bolts (3X36) and 1/4-20 whiz nuts (3X16Z). Hand tighten only.

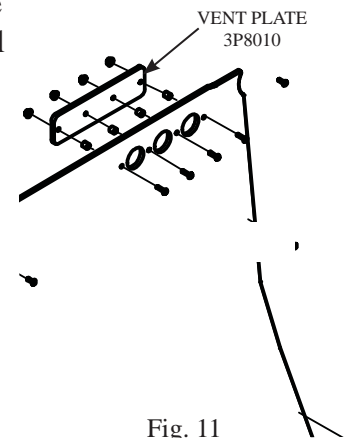
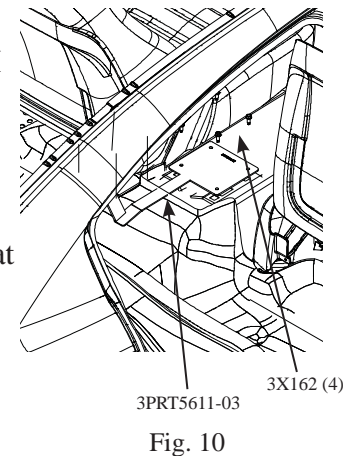
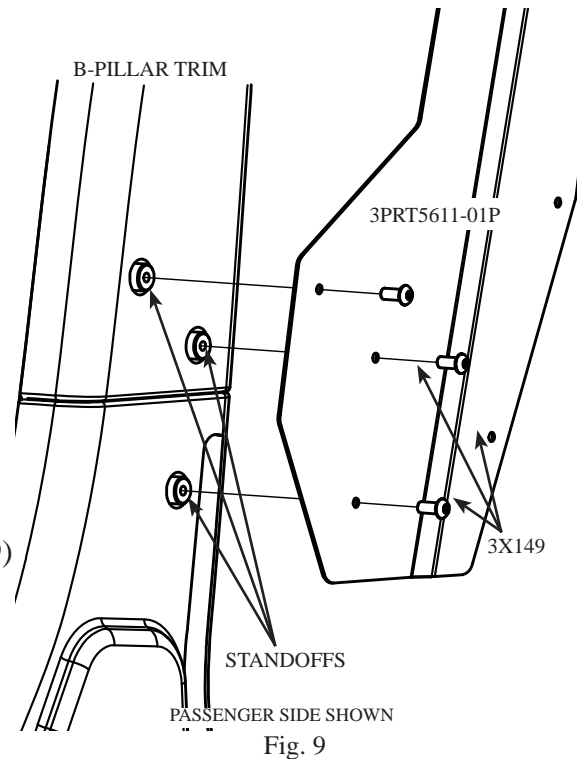
B. Level the partition by placing a torpedo level on the hem at the bottom front side of the partition. Raise the center of the partition slightly above level as the brackets will settle into the floor covering over time. Tighten the two bolts through the top of the center support bracket. Check for level. Tighten all fasteners.

XIV. Installing the Lower Extension Panel

A. Place the panel against the back side partition aligning the mounting holes. Secure with carriage bolts (3X36) and nuts (3X16Z) four places.

XV. Installing the Center Divider.

A. Assemble 3P8010 vent plate over 3 large diameter air holes. Use spacers (4G5070P1) between plate and center divider. Secure using the long, phillips head screws (3X07), black whiz nuts (3X16Z), and black caps (3X145). (Fig. 11)



- B. Insert the center divider from the passenger side of the vehicle. Be sure to start with the tail of the divider, aimed toward the rear window and speaker deck area. Once you have inserted the divider, press the divider against the seat mount brackets, and then to the partition tabs. Mark all mounting hole locations on the divider with a felt tip marker then remove the divider for drilling or drill in place if desired.
- C. Once you've installed the divider, mount the divider deck bracket (3P8003) in place. Slide the T-bracket under the divider tail. Position the T-bracket where desired and use the (3X110) self-tapping screws to fasten the bracket into the speaker deck (See Fig. 12).
- D. Use the existing holes and slots on the bracket (3P214) as a template, and drill holes to secure each area using carriage bolts (3X61) and whiz nuts (3X16Z) .

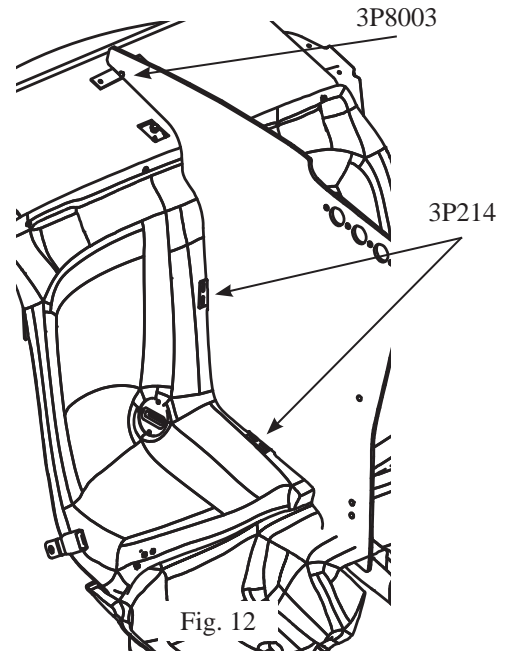


Fig. 12

XVI. Air Bag Wing Installation

- A. The Filler Wings and their mounting hardware are packed in separate box marked "Wing Kit". Install the filler wings according to their included instructions. (See Fig. 13)

XVII. Door Panel Installation.

- A. The door panels and their mounting hardware are packed in separate box marked "DP5611" . Install the door panels according to their included instructions. (See Fig. 14)

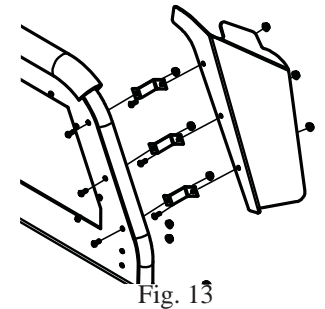


Fig. 13

XVIII. Window Barrier Installation

- A. The Window Barriers and their mounting hardware are packed in separate box marked WB56C11. Install the Window Barriers according to their included instructions. (See Fig. 14)

XVI. Finalize Installation

- A. Audit the overall installation for fit and function of all components. Once satisfied, insure all fasteners are tight.
- B. **Installation is now complete.**

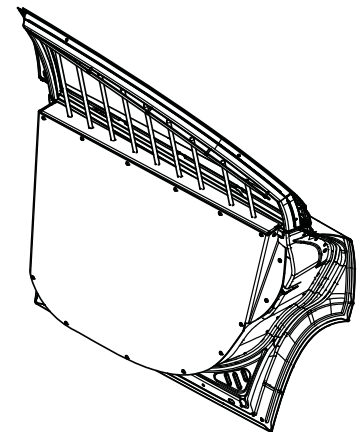
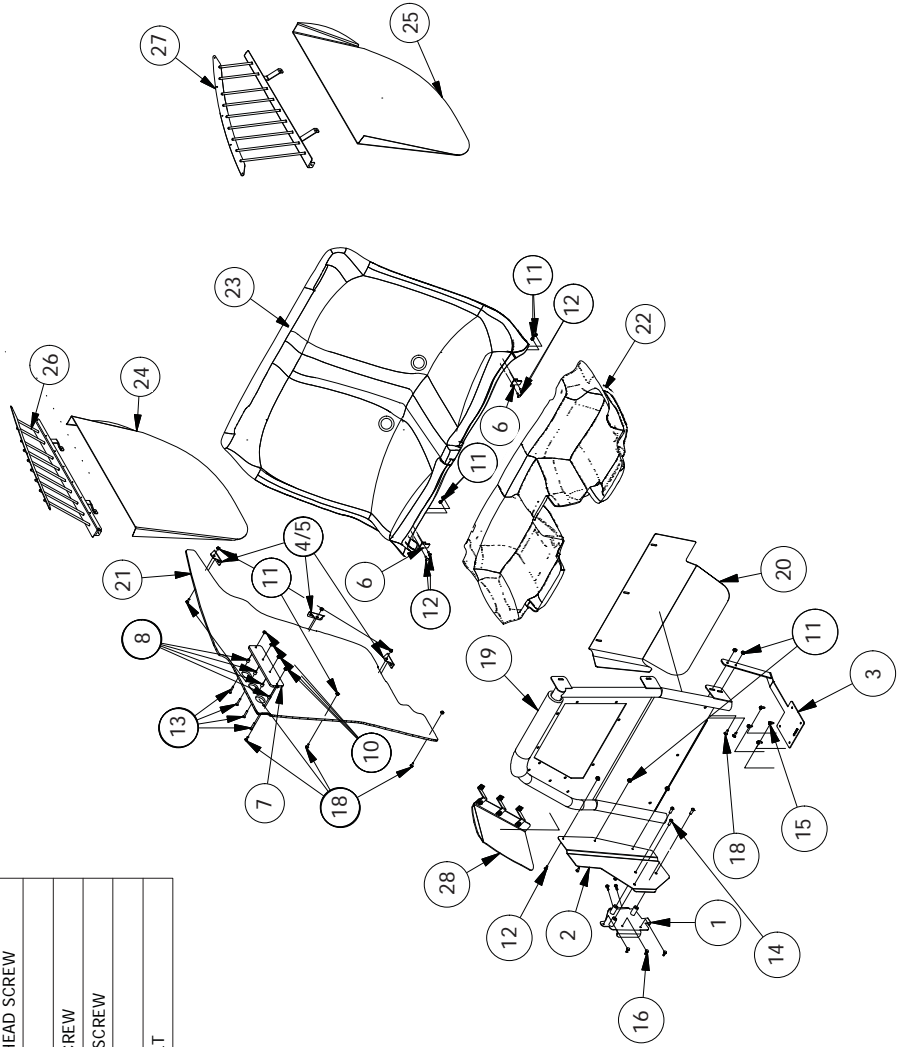


Fig. 14

FABRICATED PARTS LIST			
ITEM	QTY	PART NUMBER	DESCRIPTION
1	1	3PRT5611-01P	MOUNTBRACKET - PASS, B-PILLAR
2	1	3PRT5611-02P	MOUNTPLATE - PASS, SHEETMETAL
3	1	3PRT5611-03	SUPPORT BRACKET, CENTER

HARDWARE LIST			
ITEM	QTY	PART NUMBER	DESCRIPTION
4	2	3P214	DIVIDER MOUNT BRACKET
5	1	3P8003	DIVIDER REAR DECK BRACKET
6	2	3P5601	MOUNTING TAB - SEAT
7	1	3P8010	VENT PLATE
8	4	4G5070PI	BLACK PLASTIC SPACER
9	2	3S601	DRAIN PLUG
10	4	3X16	1/4-20 BLK GR8 WHIZ NUT
11	18	3X16Z	1/4-20 WHIZ NUT
12	16	3X36	1/4-20 X 3/4" CARRIAGE BOLT
13	4	3X07	1/4-20 X 1 1/2" BLK PHIL HEAD SCREW
14	3	3X149	5/16-18 X 3/4" BHCS
15	5	3X110	#14 X 1" SELF TAPPING SCREW
16	5	3X167	#14 X 3/4" SELF TAPPING SCREW
17	17	3X145	BLACK PLASTIC CAPS
18	8	3X82	1/4-20 X 1" CARRIAGE BOLT

ADDITIONAL REQUIRED PARTS			
ITEM	QTY	PART NUMBER	DESCRIPTION
19	1	VARIABLES	PARTITION ASSEMBLY
20	1	3SP5611-03	PRO-CELL LOWER SEAT PROTECTOR
21	1	3PE611	CENTER DIVIDER POLYCARBONATE
22	1	FP56C06	FLOOR PAN
23	1	3S56C06	TRANSPORT SEAT
24	1	DP56C11P	ABS DOOR PANEL- PASS
25	1	DP56C11D	ABS DOOR PANEL- DRIVER
26	1	WB56C11-01P	WINDOW BARRIER- PASS
27	1	WB56C11-01D	WINDOW BARRIER- DRIVER
28	1	W5611-(A OR R)	WING KIT (AIRBAG OR RIGID)



TRIM PANEL TEMPLATE FOR
 PARTITION INSTALL ON
 2011 DODGE CHARGER
 PASSENGER SIDE

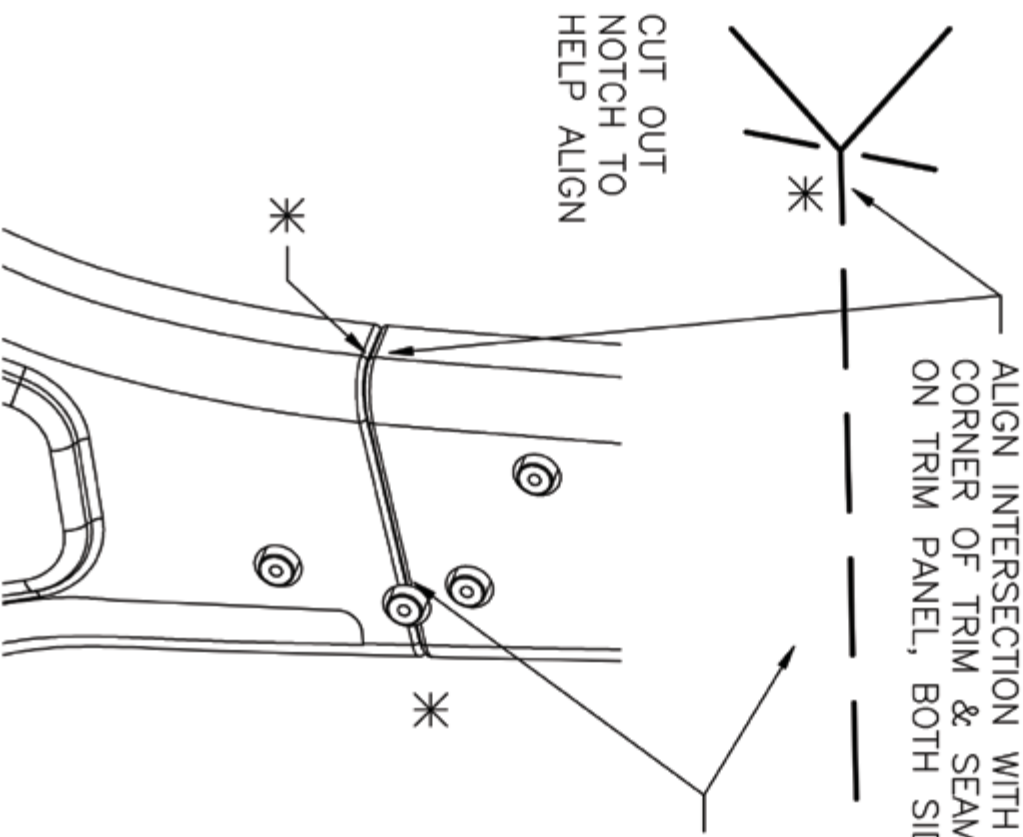


CENTER PUNCH 3 HOLE LOCATIONS
 THRU TEMPLATE & DRILL/CUT 1"
 DIA. HOLE

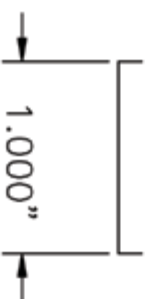
ALIGN INTERSECTION WITH
 CORNER OF TRIM & SEAM
 ON TRIM PANEL, BOTH SIDES *

ALIGN DASHED LINE WITH
 SEAM ON TRIM PANEL

CUT OUT
 NOTCH TO
 HELP ALIGN



CUT OUT
 NOTCH TO
 HELP ALIGN



CHECK SCALE

SELECT "NONE" FOR PAGE
 SCALING WHEN PRINTING
 FROM .pdf FILE

